

This Page Is Inserted by IFW Operations  
and is not a part of the Official Record

## **BEST AVAILABLE IMAGES**

Defective images within this document are accurate representations of the original documents submitted by the applicant.

Defects in the images may include (but are not limited to):

- BLACK BORDERS
- TEXT CUT OFF AT TOP, BOTTOM OR SIDES
- FADED TEXT
- ILLEGIBLE TEXT
- SKEWED/SLANTED IMAGES
- COLORED PHOTOS
- BLACK OR VERY BLACK AND WHITE DARK PHOTOS
- GRAY SCALE DOCUMENTS

**IMAGES ARE BEST AVAILABLE COPY.**

**As rescanning documents *will not* correct images,  
please do not report the images to the  
Image Problem Mailbox.**

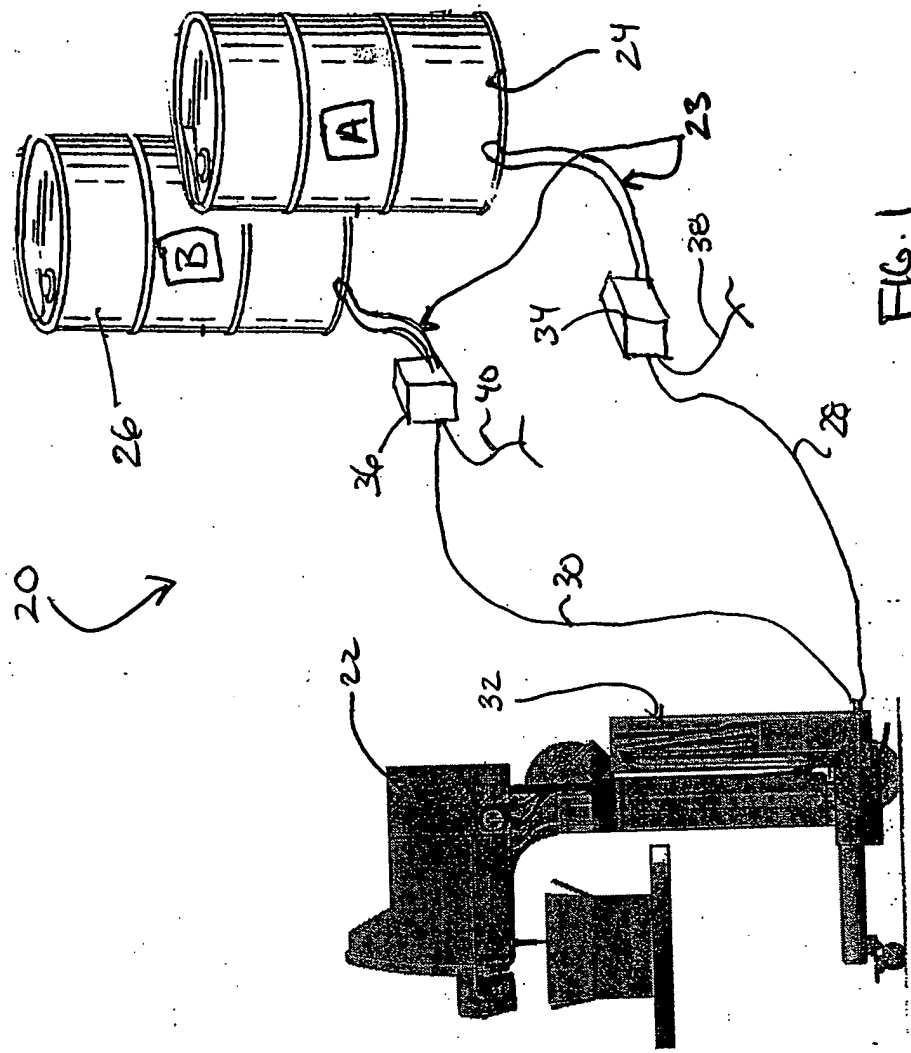
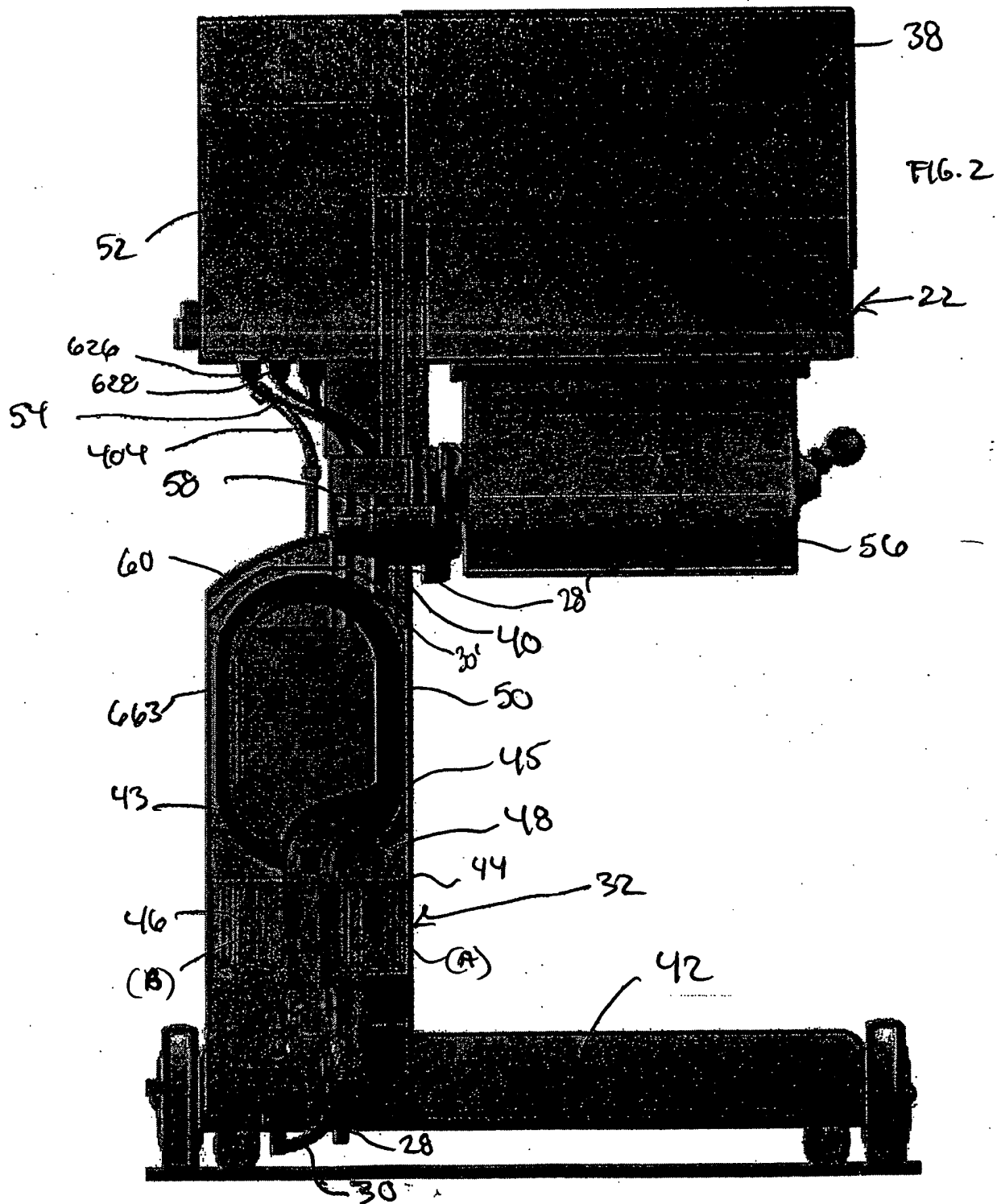


FIG. 1



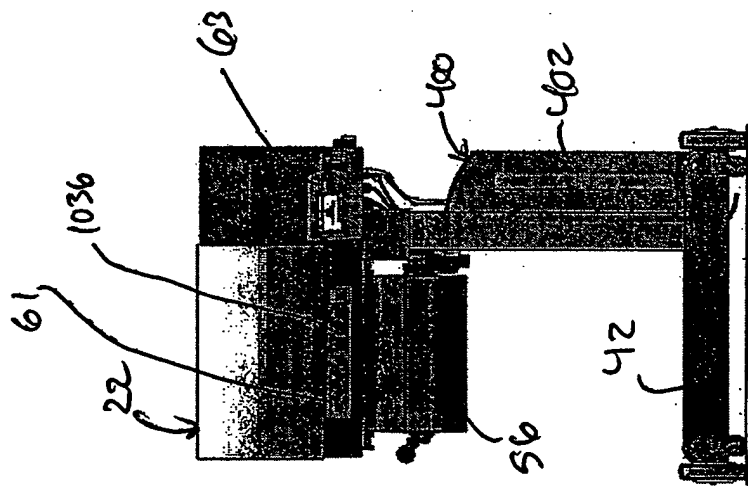


FIG. 3

FIG 4

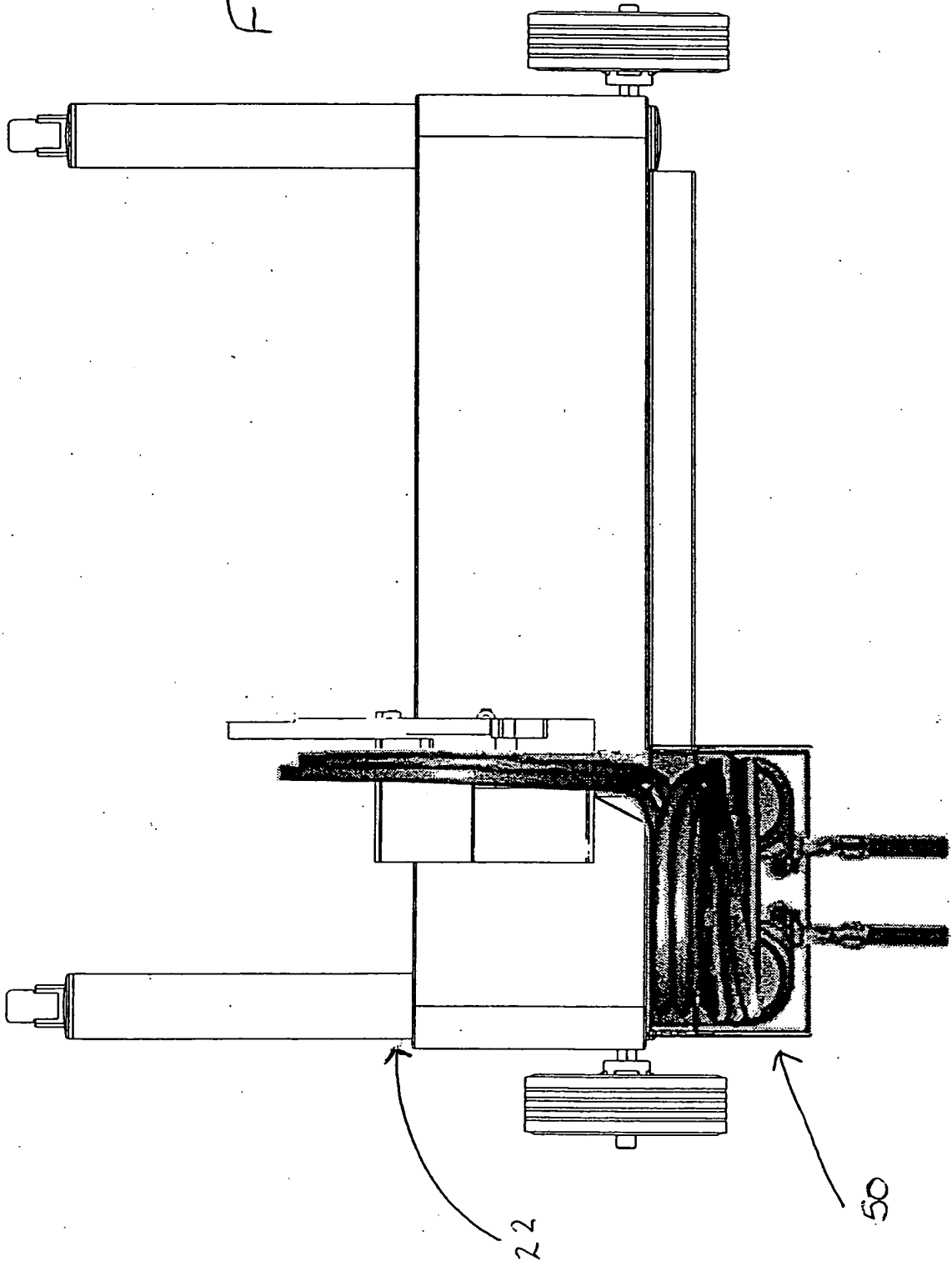


FIG. 5

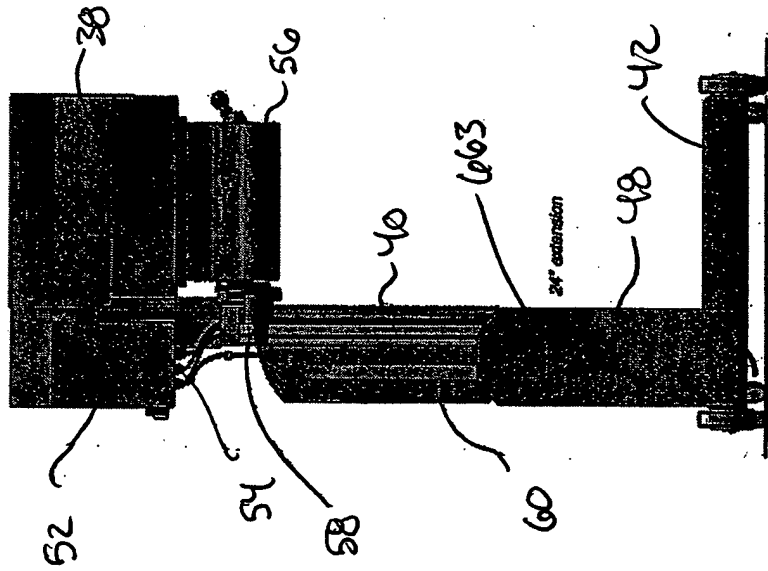


FIG. 6

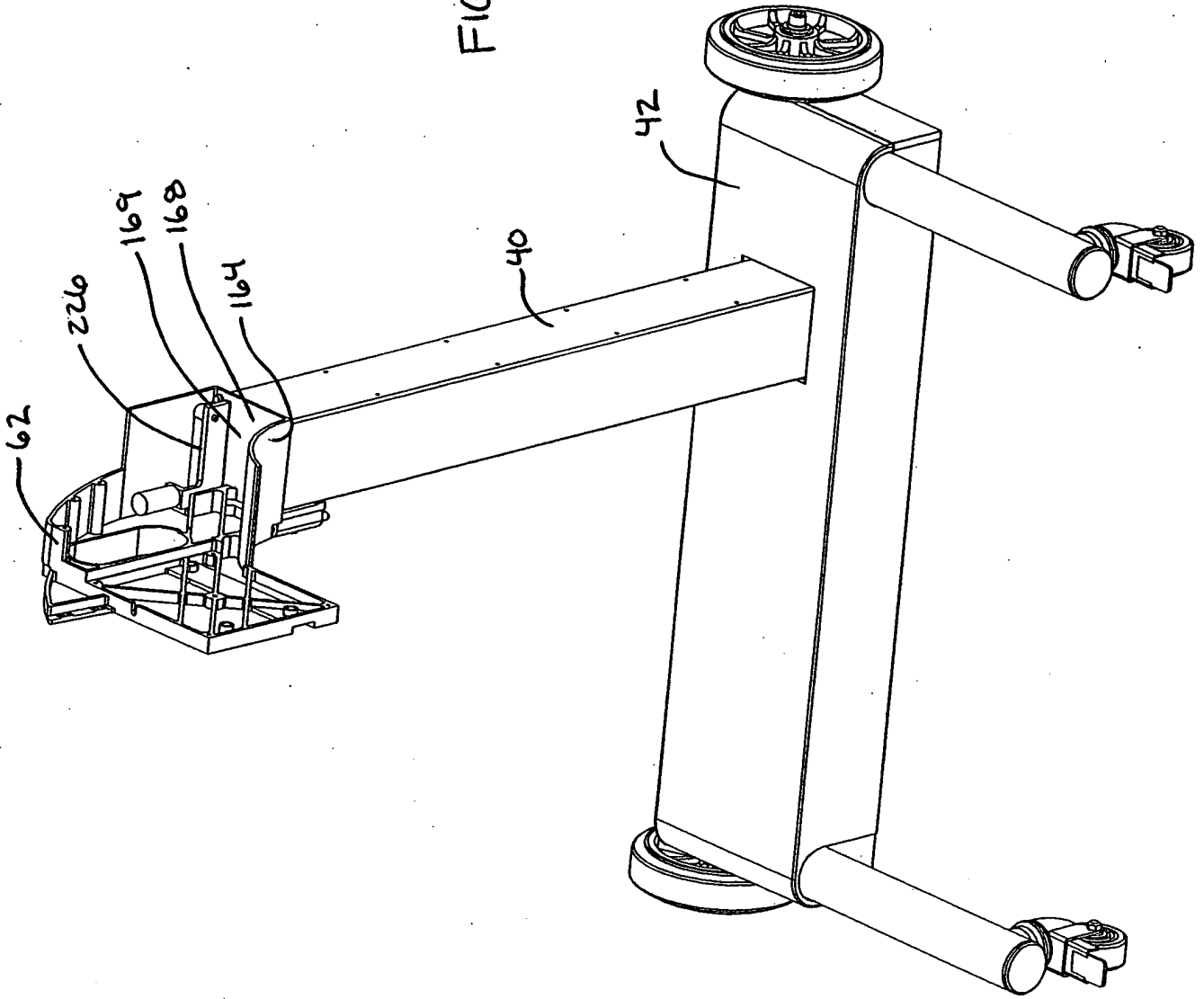


FIG. 7

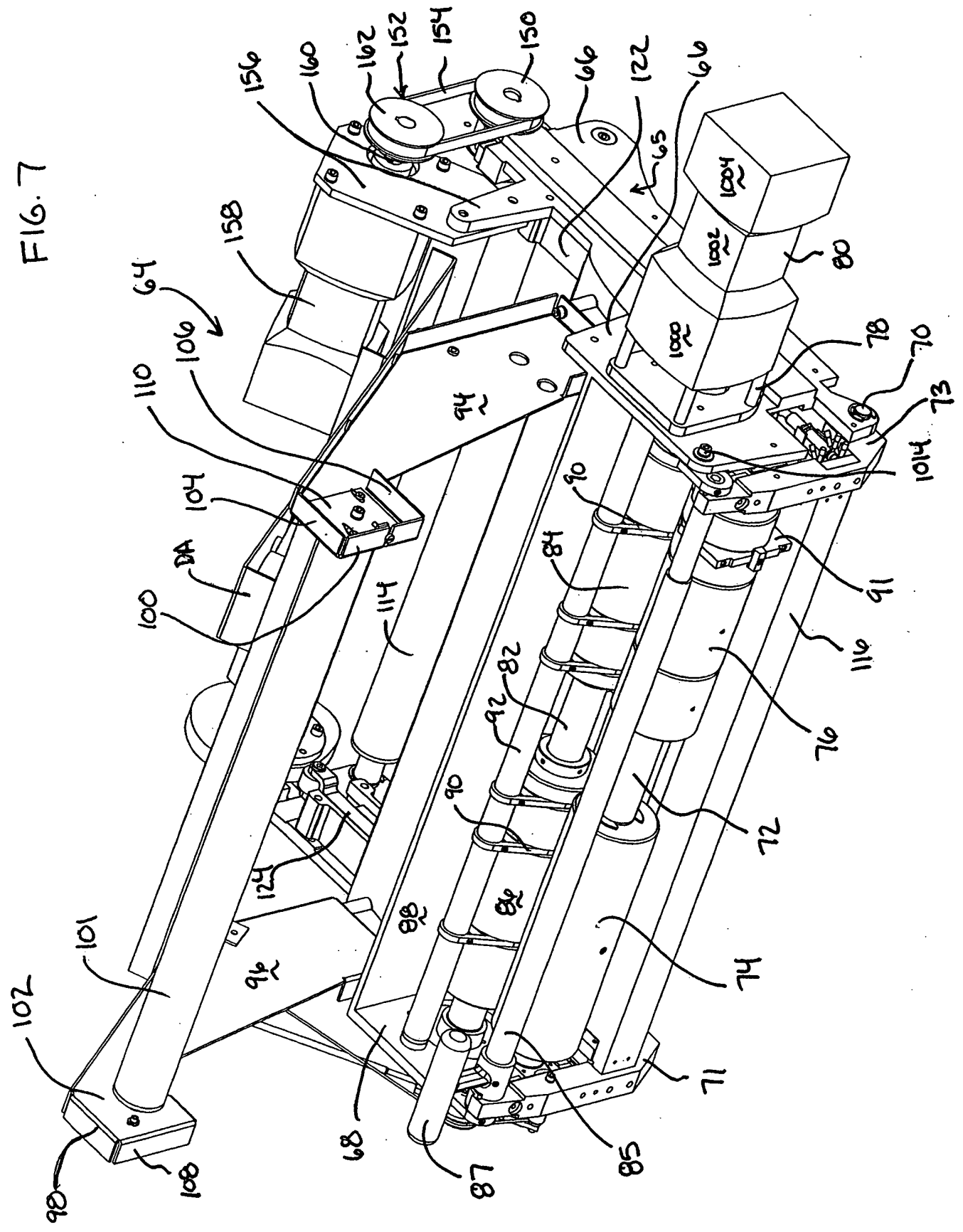




FIG. 8

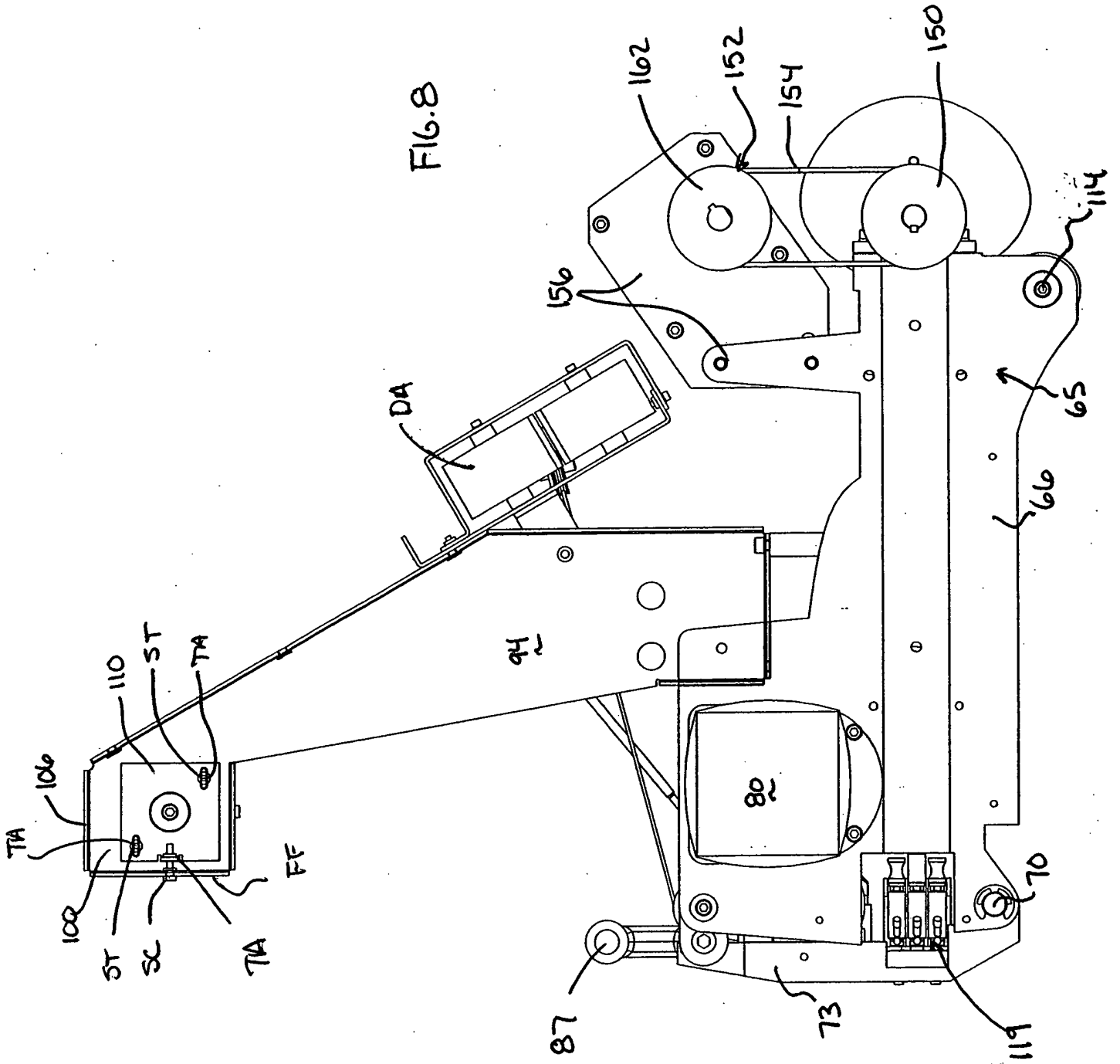
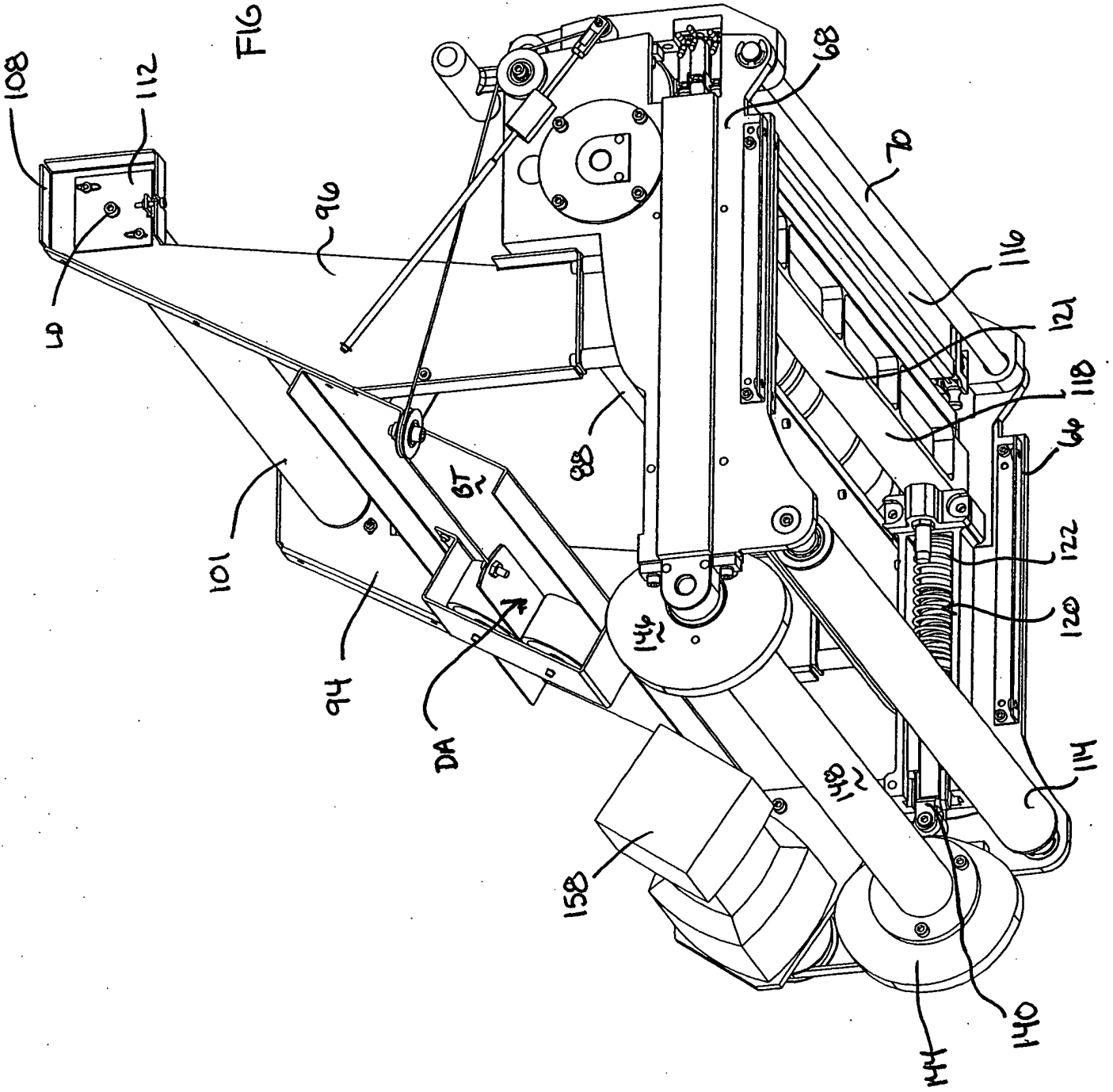


FIG. 9



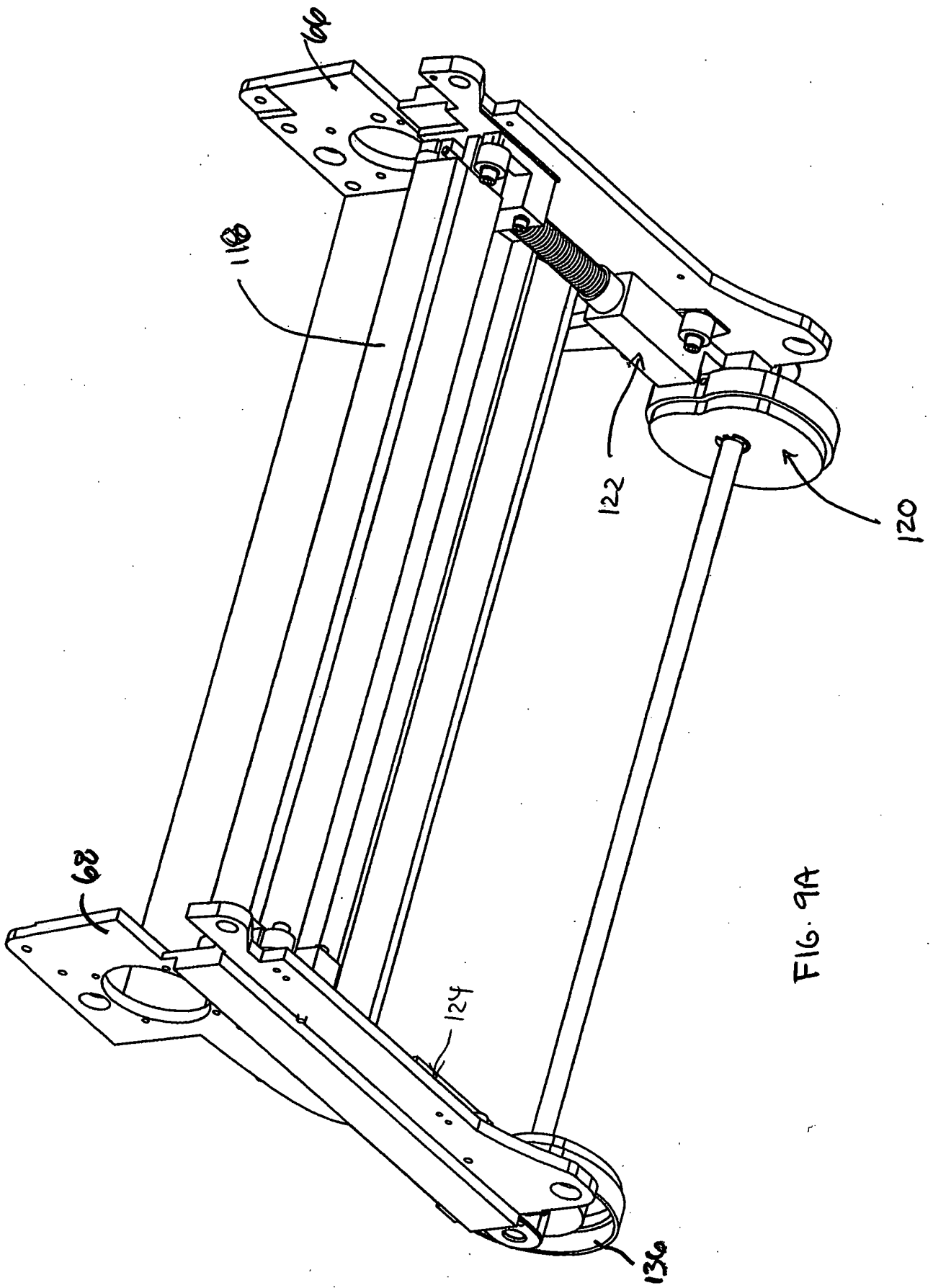


FIG. 9A

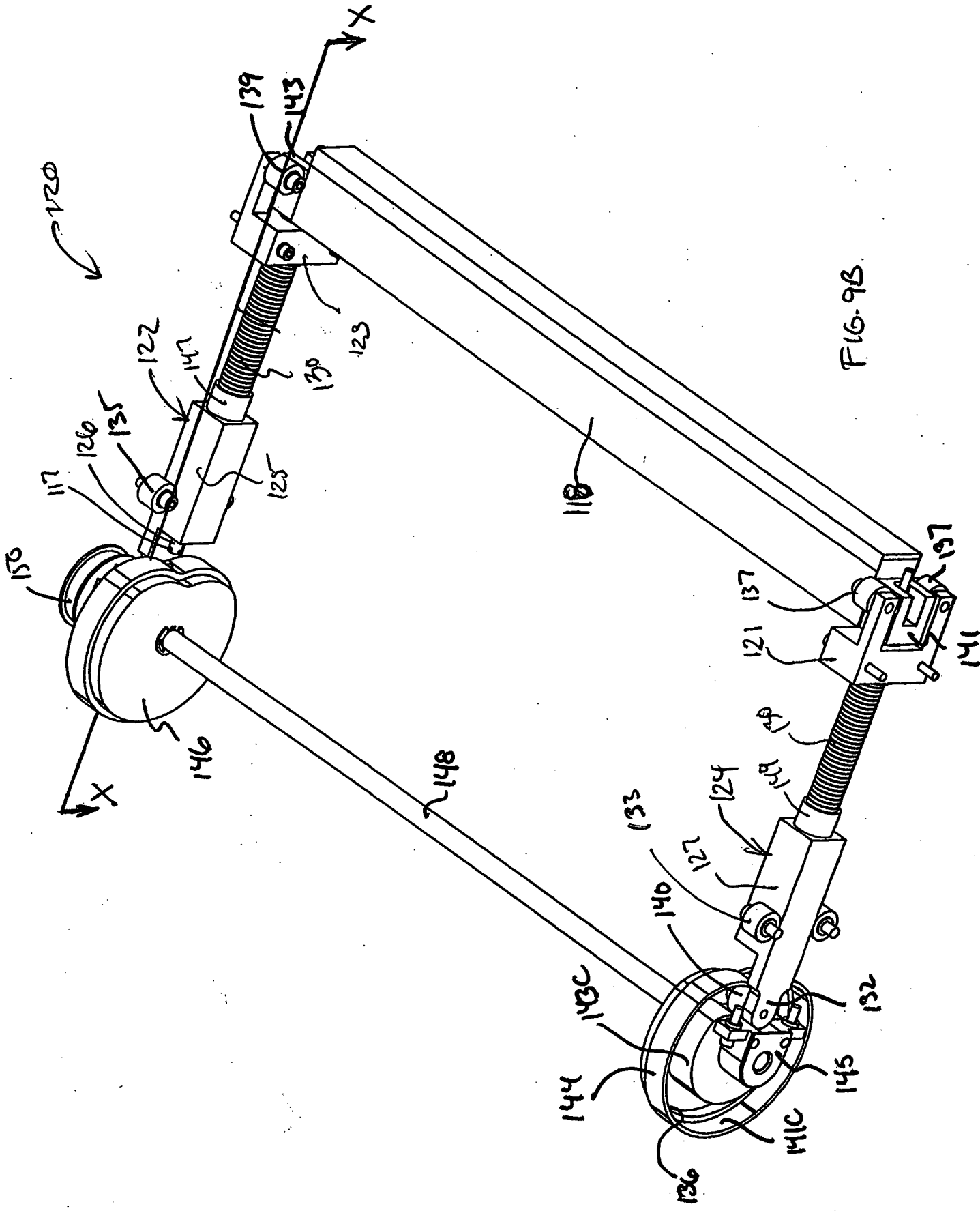


FIG. 9B

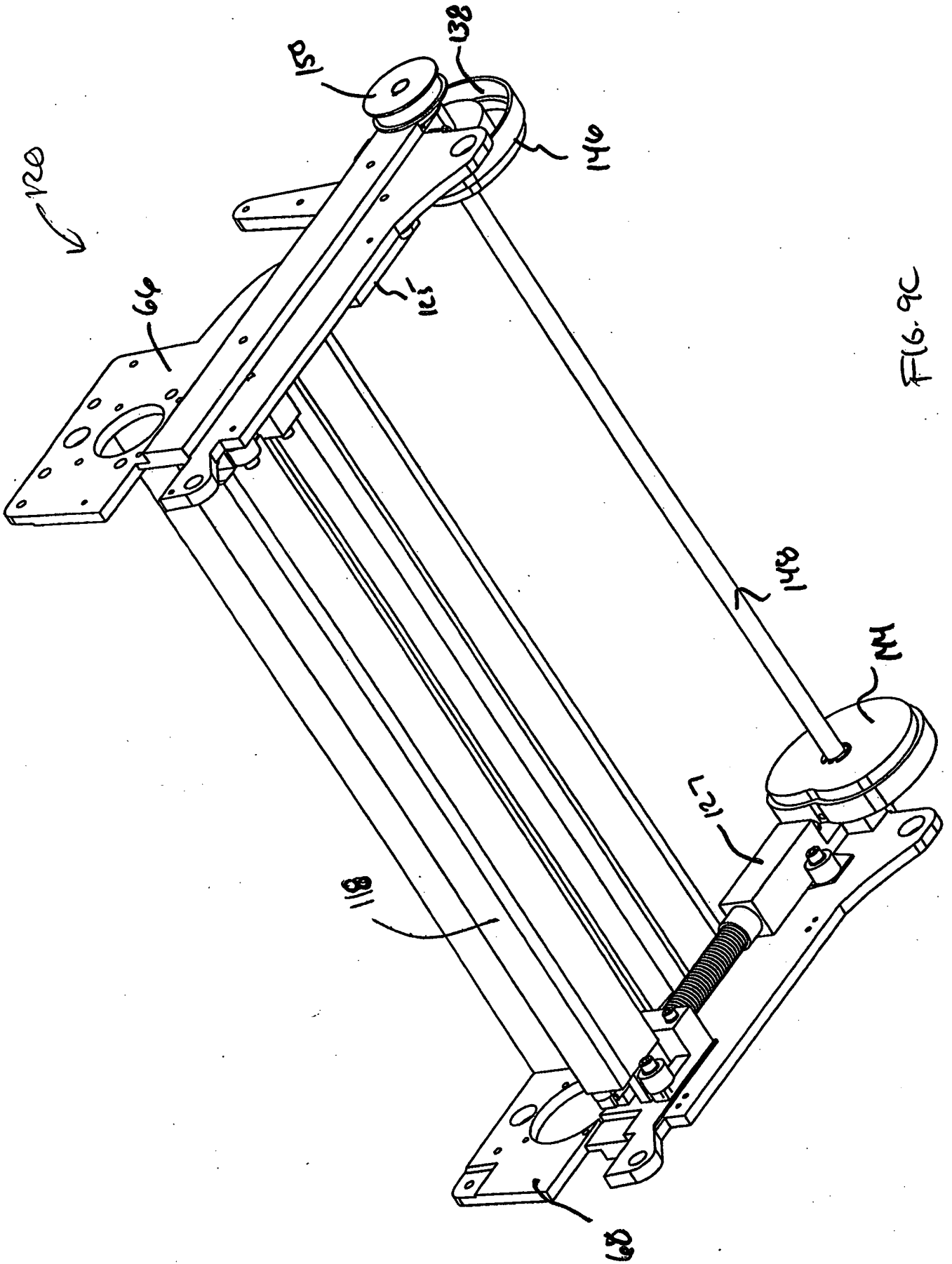


FIG. 9C

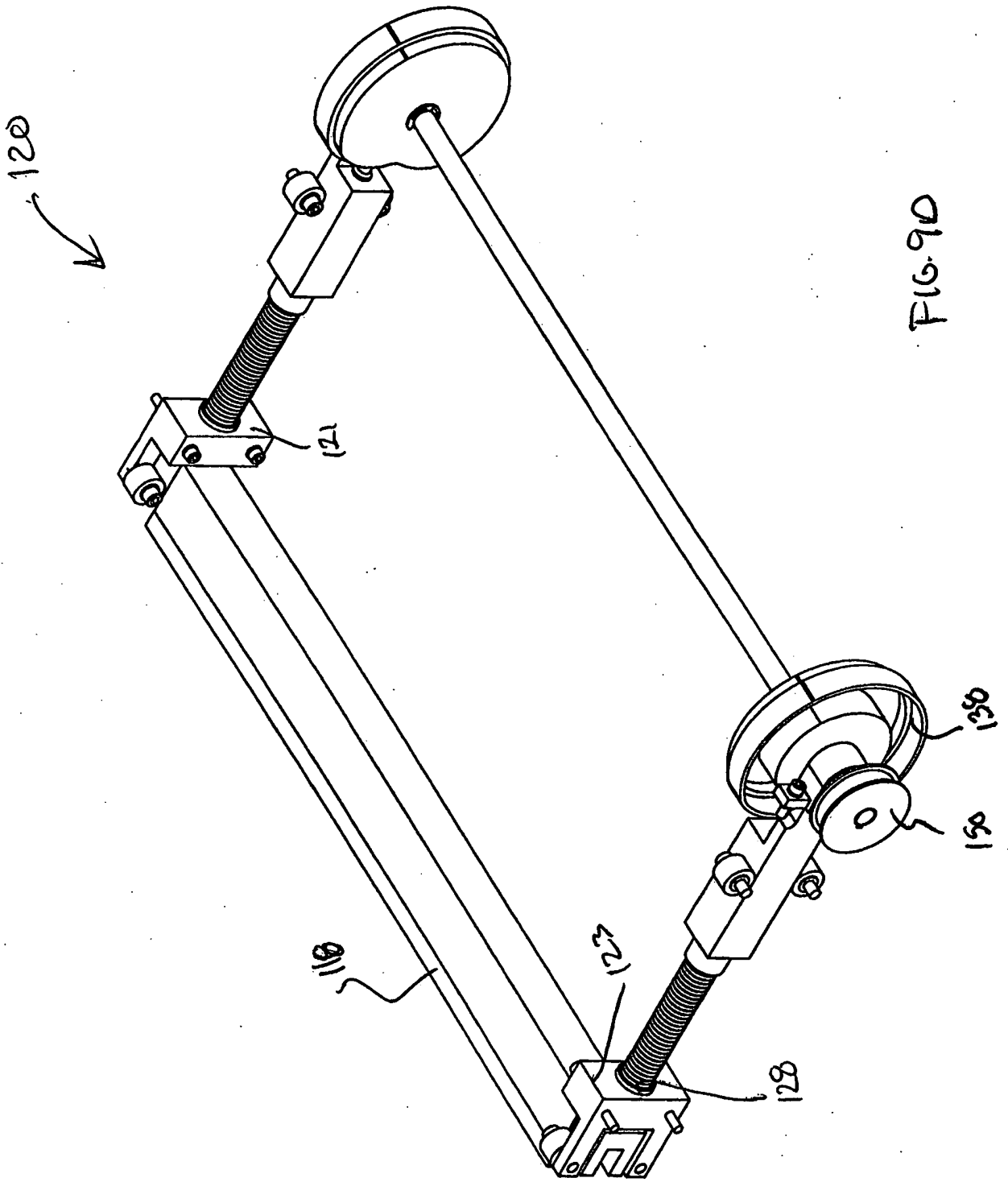
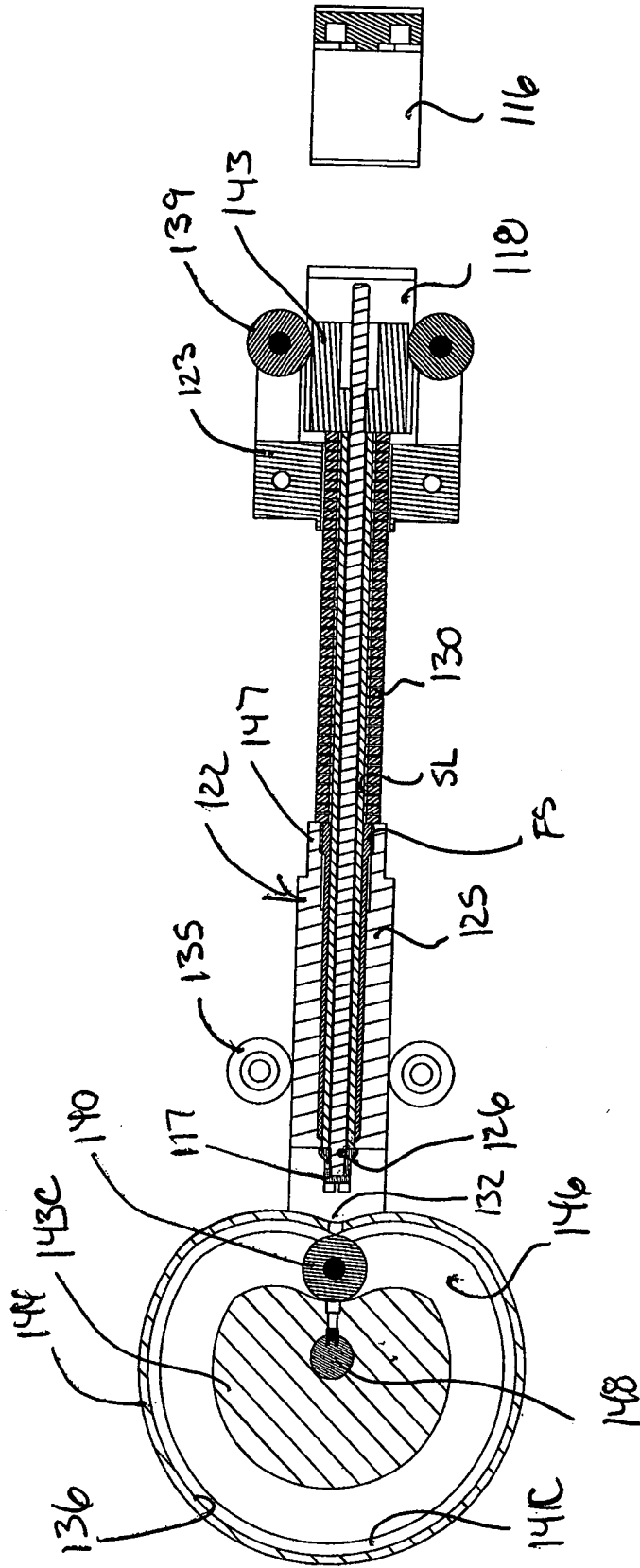


FIG. 9E



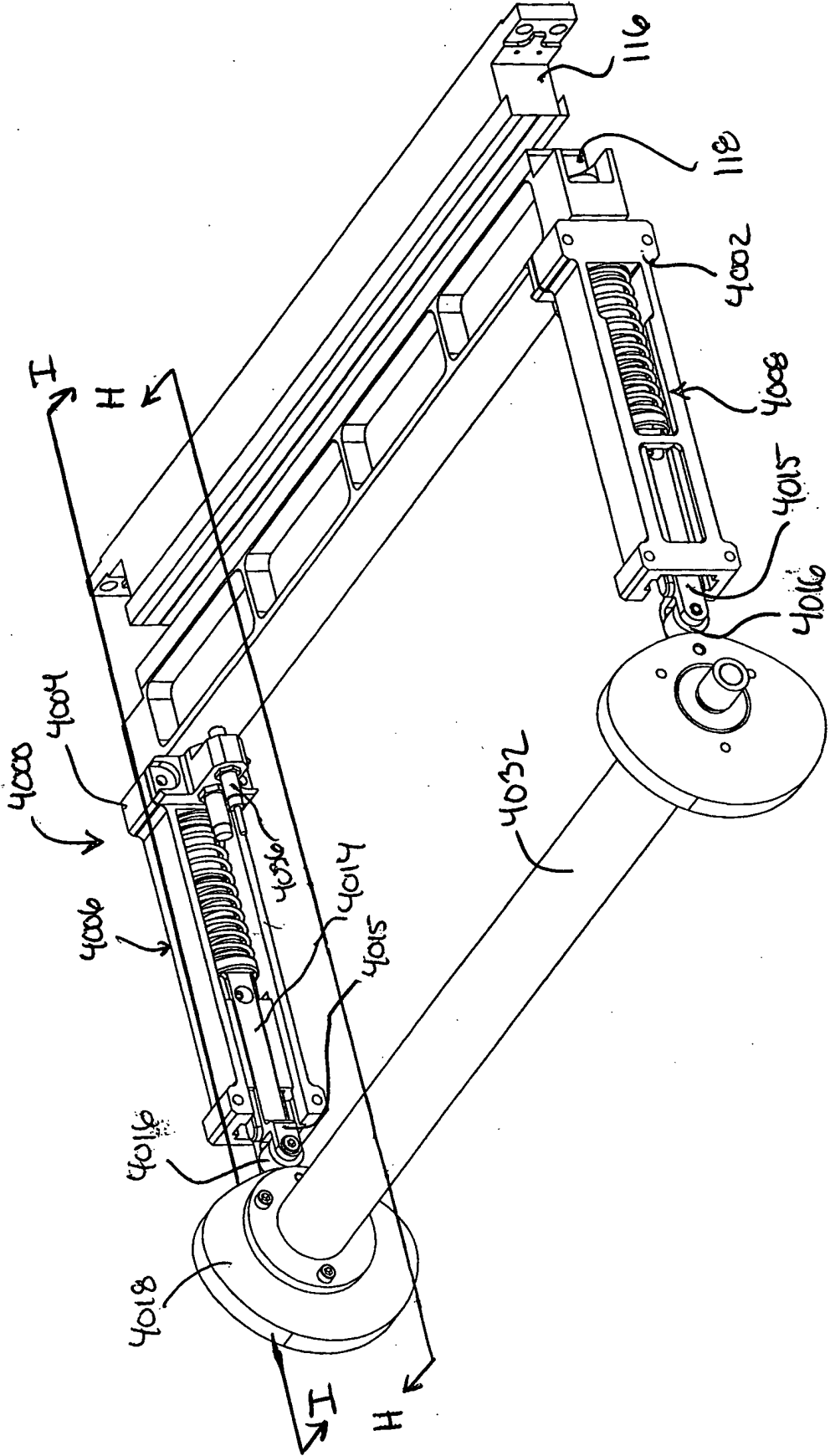


FIG. 9F



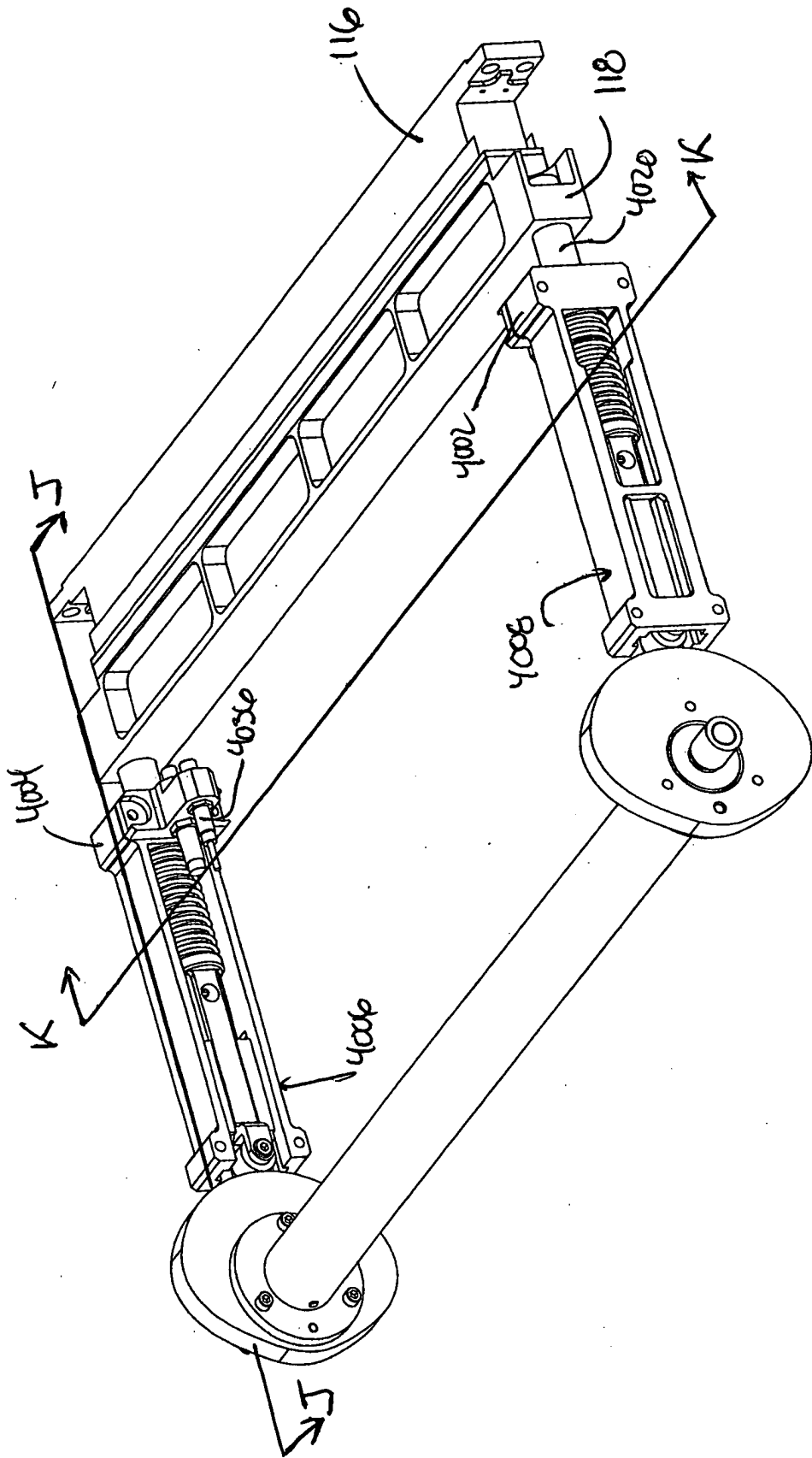


FIG. 96

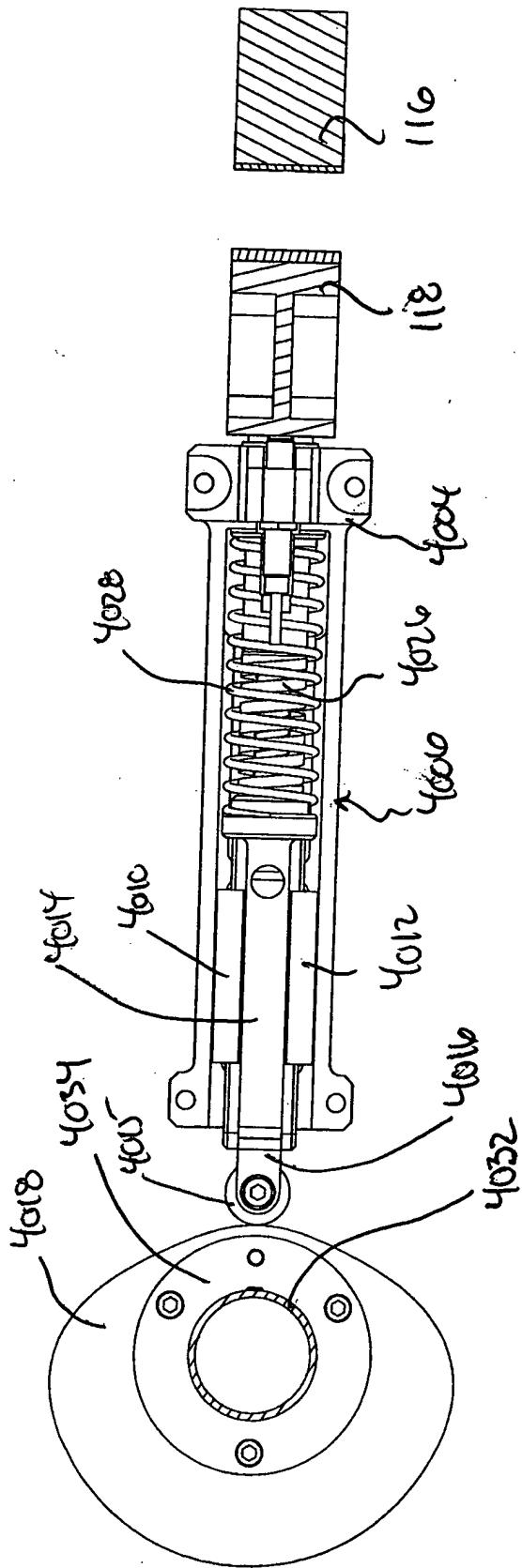


FIG. 9H

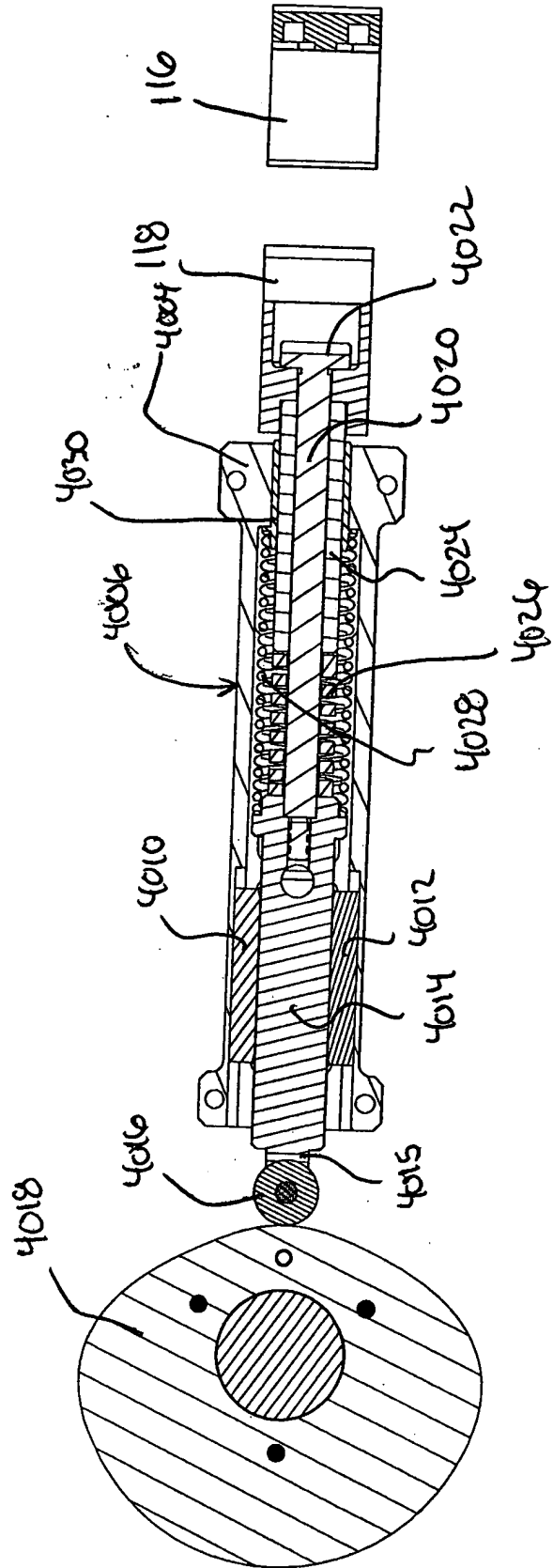


FIG. 9I

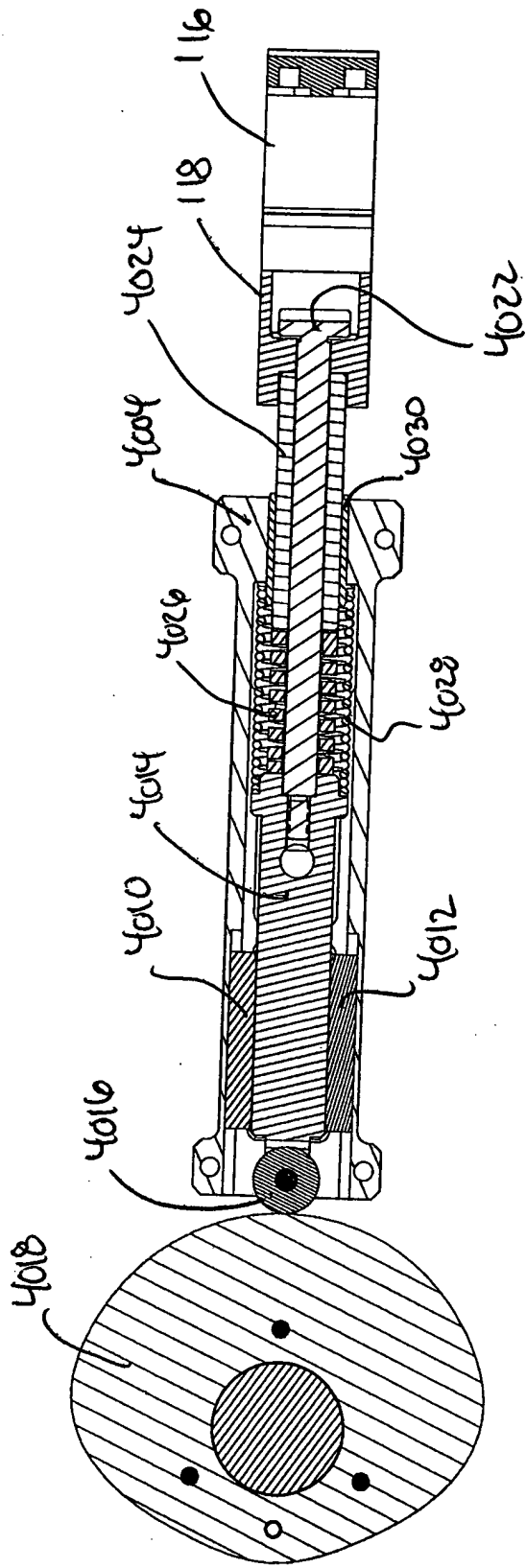


FIG. 95

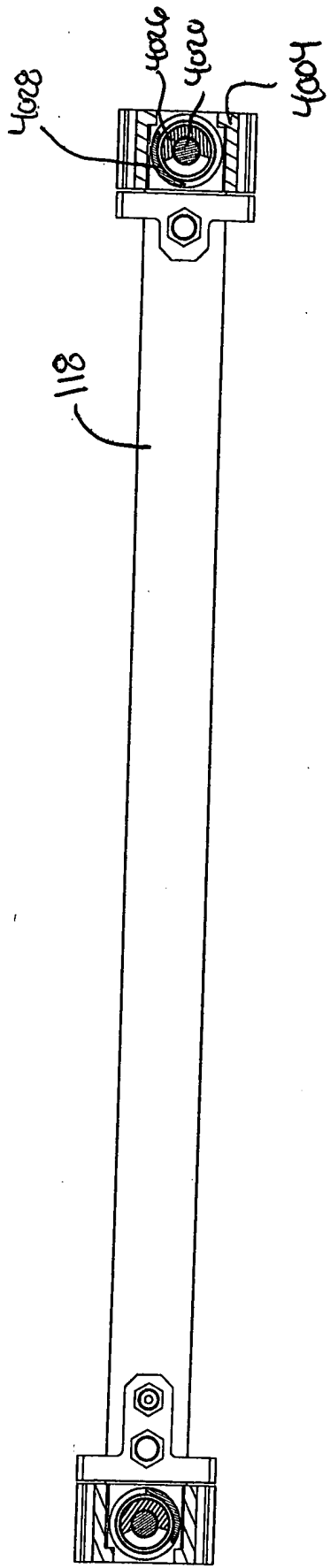


FIG. 9K

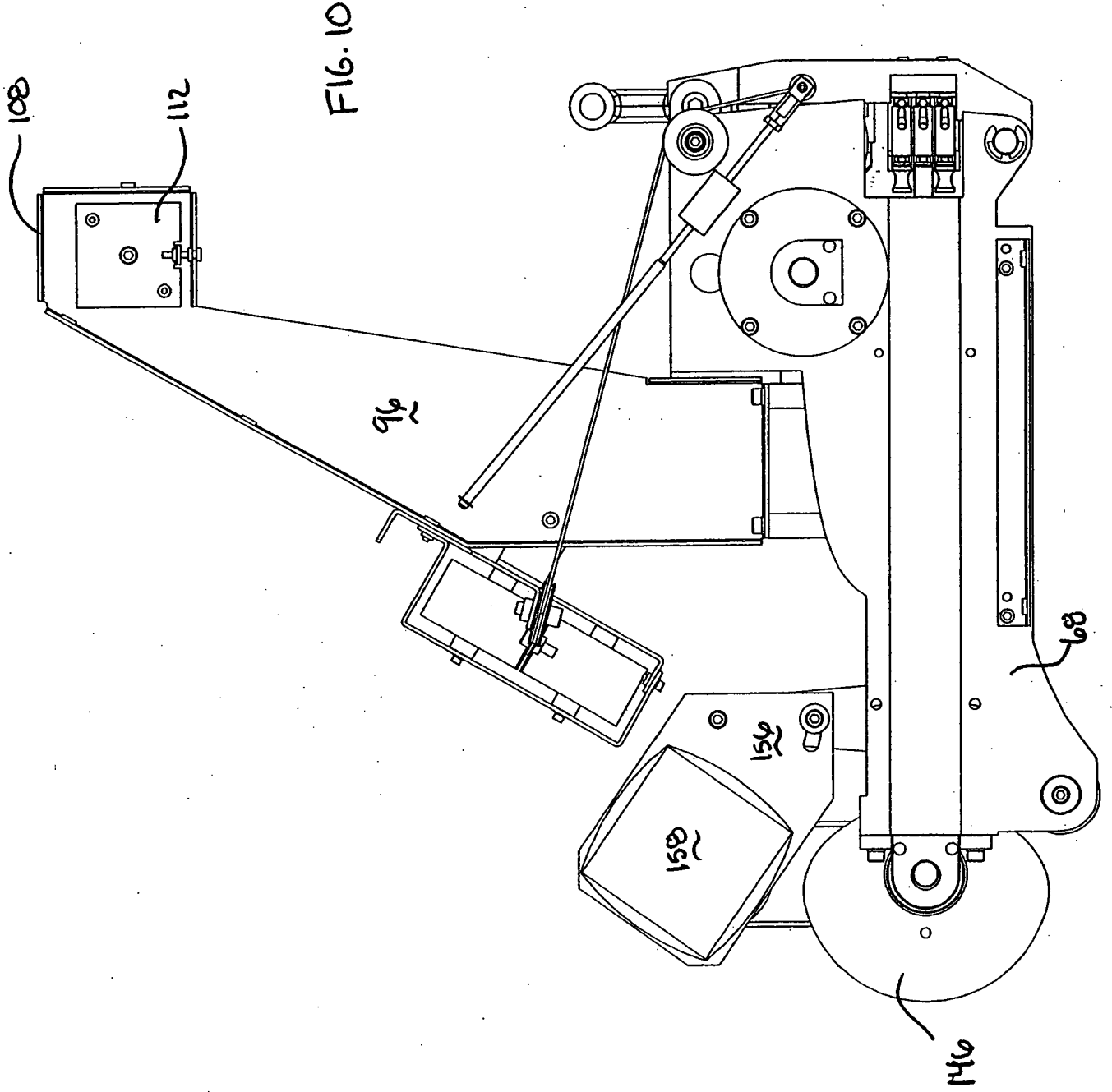
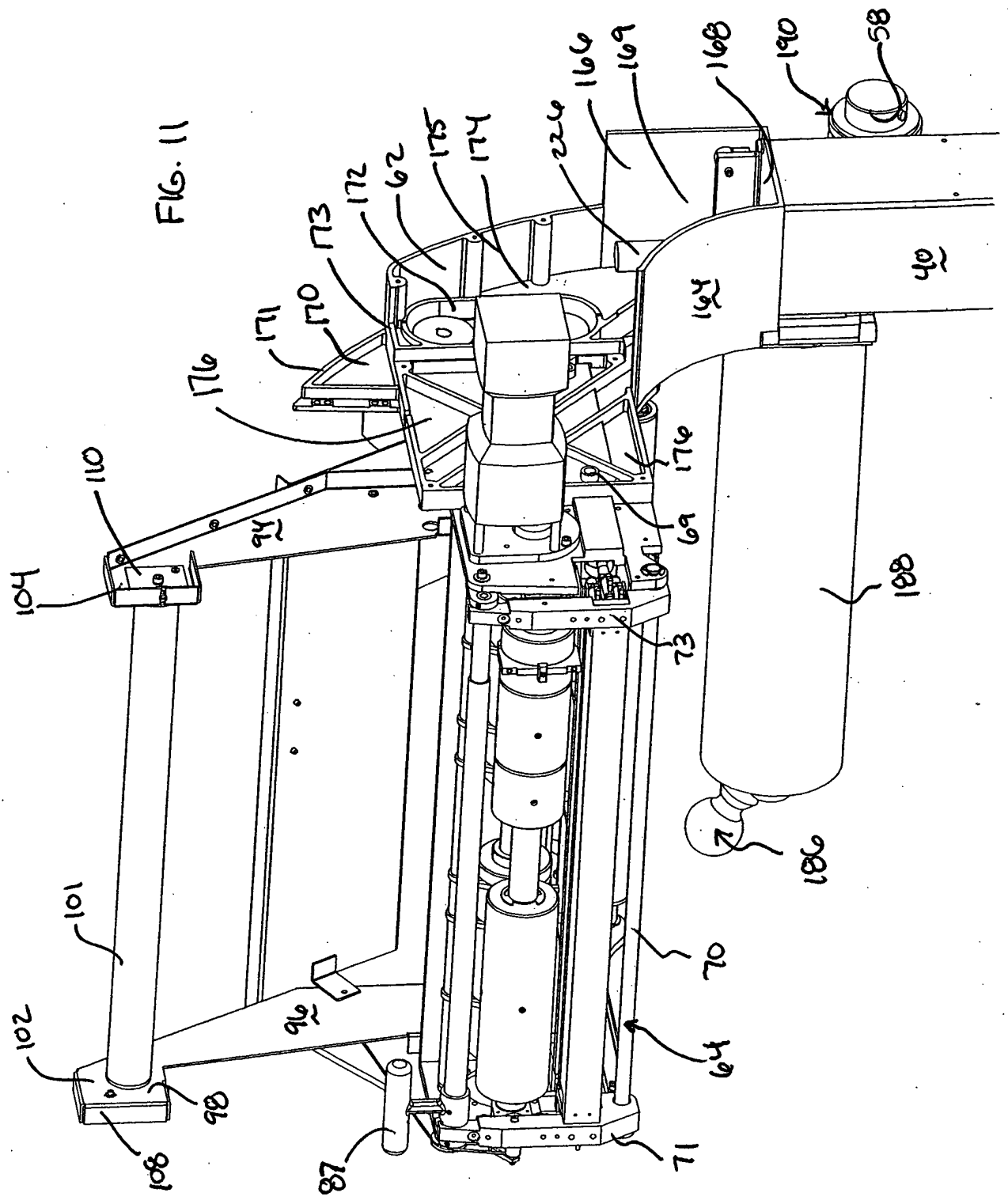


FIG. 11



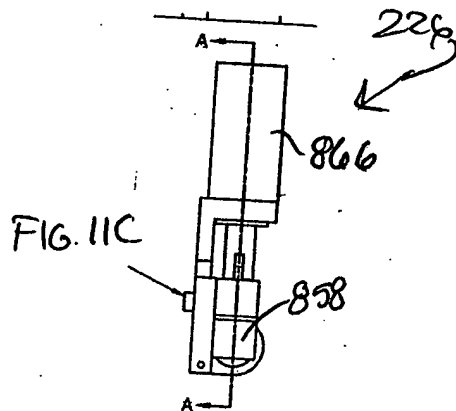
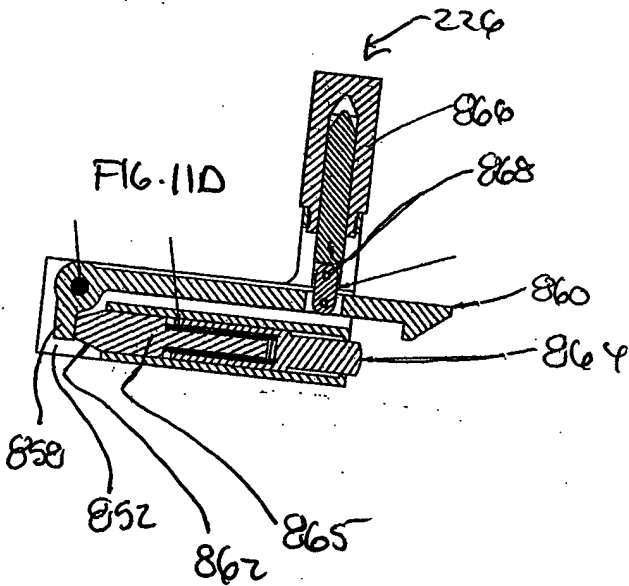
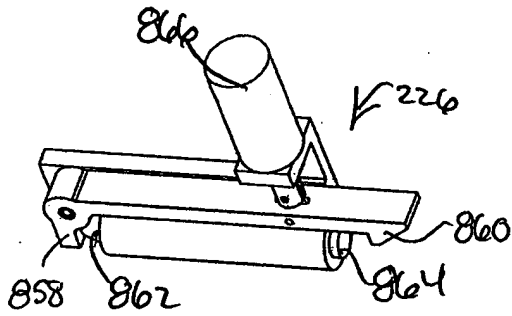
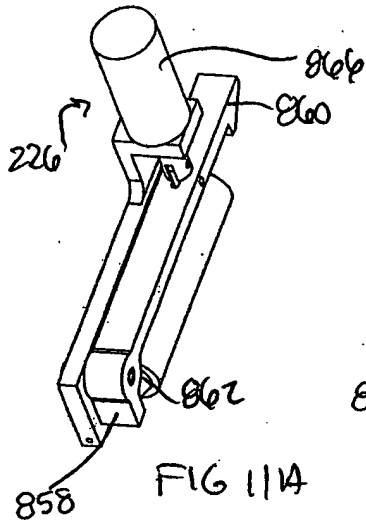
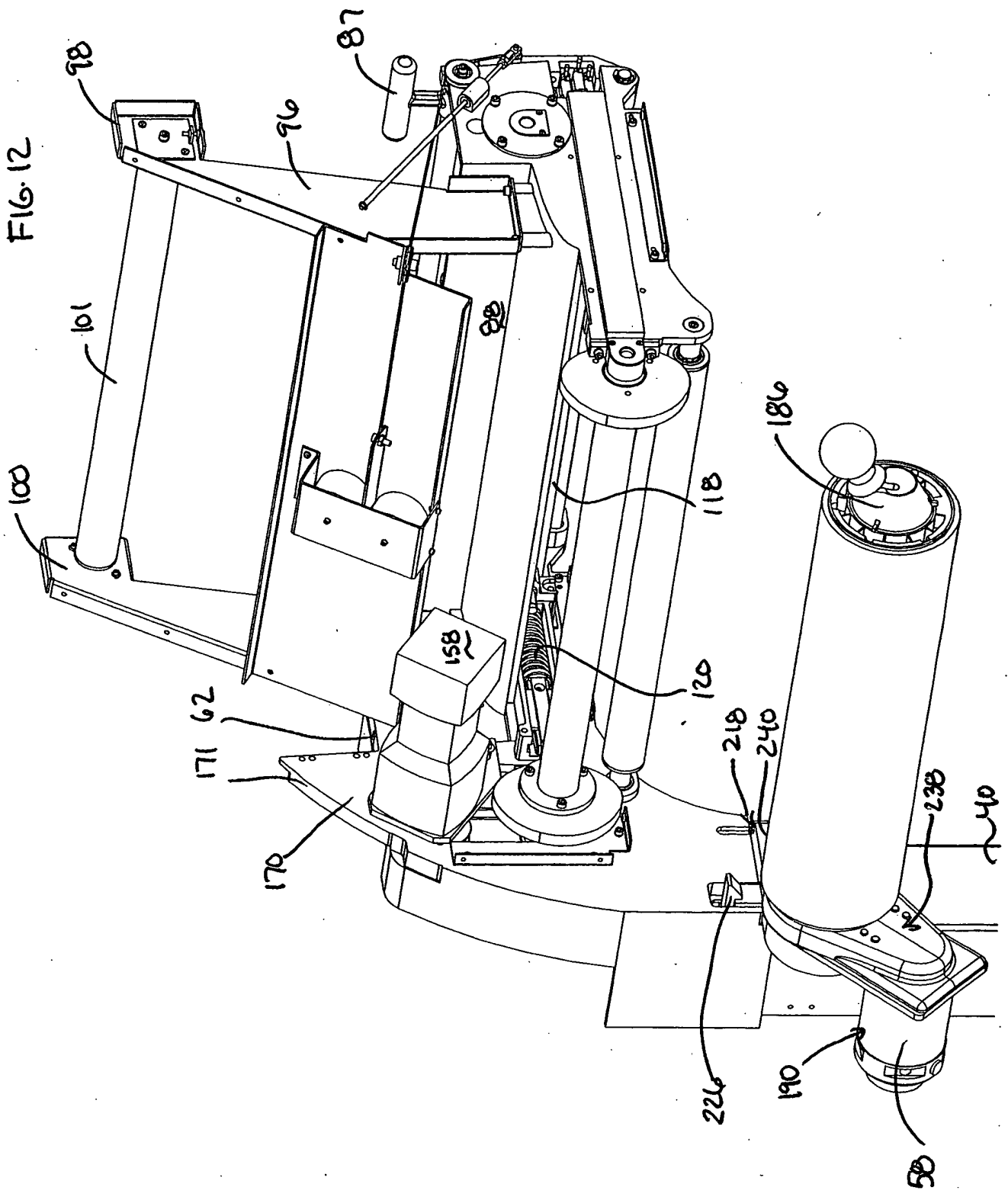




FIG. 12





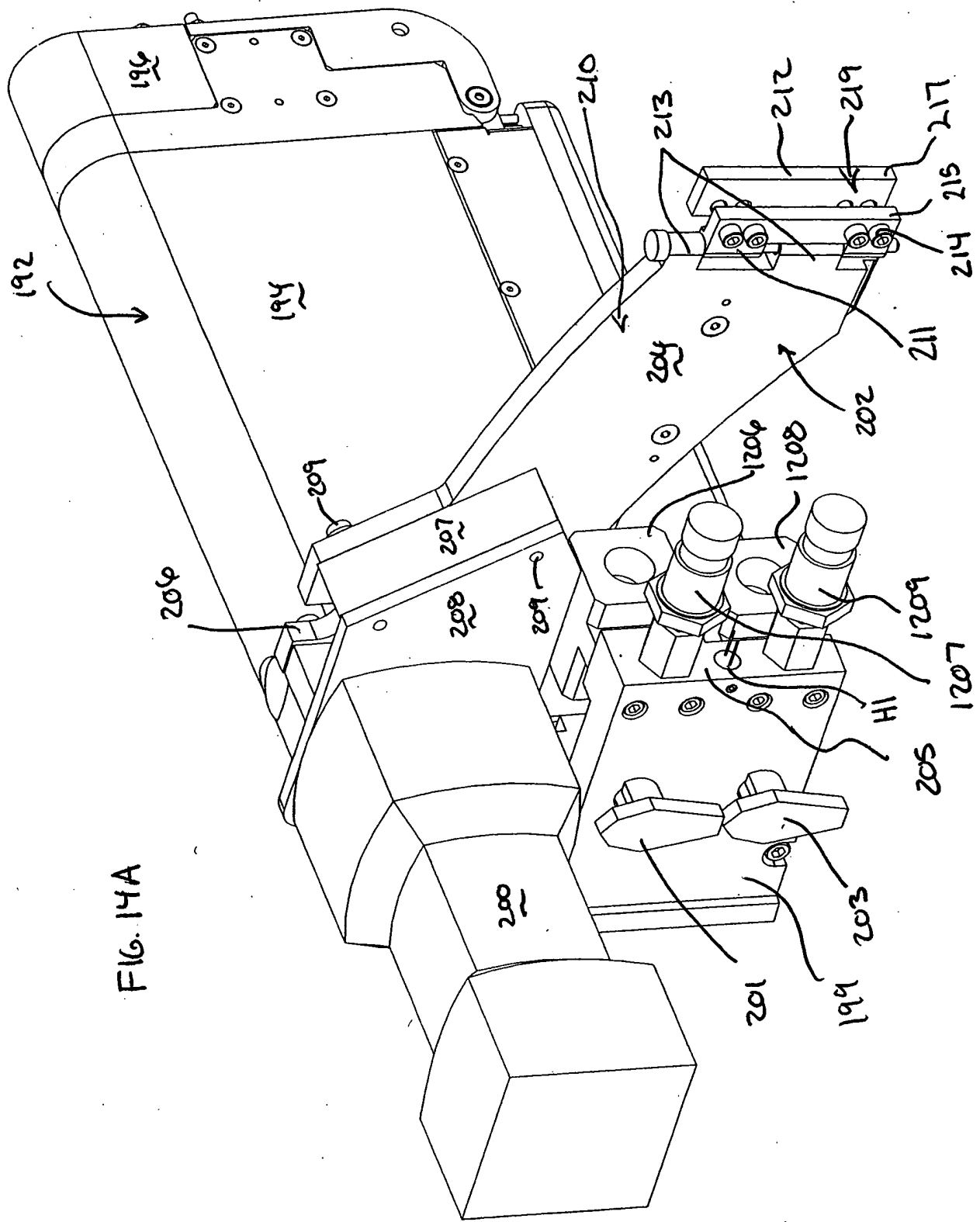


FIG. 14A



FIG 15A

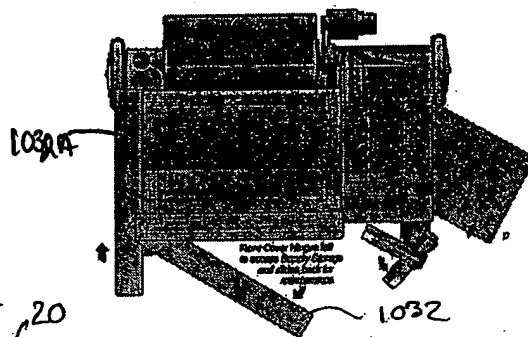


FIG. 15

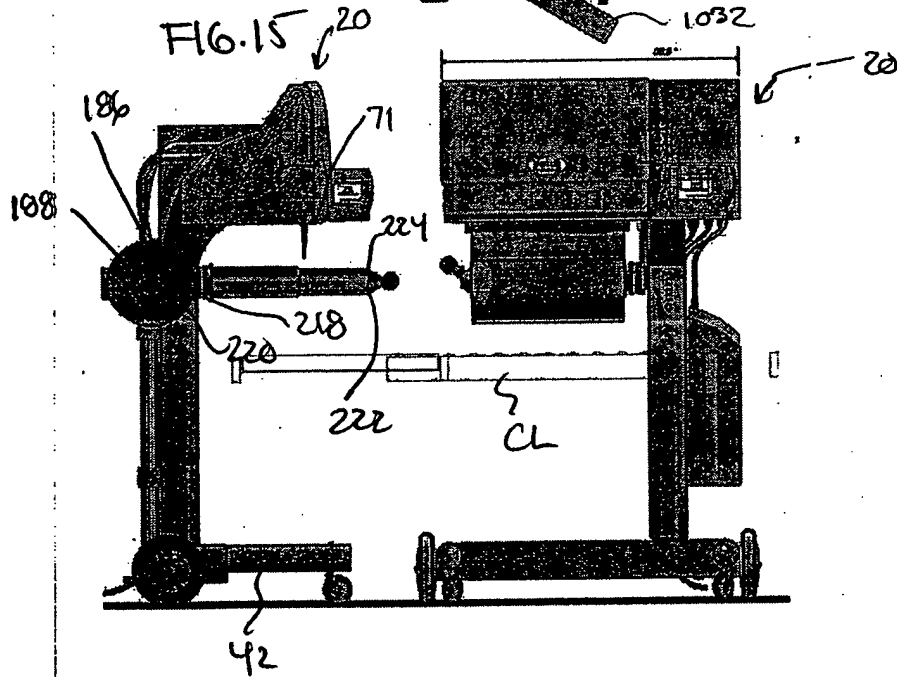
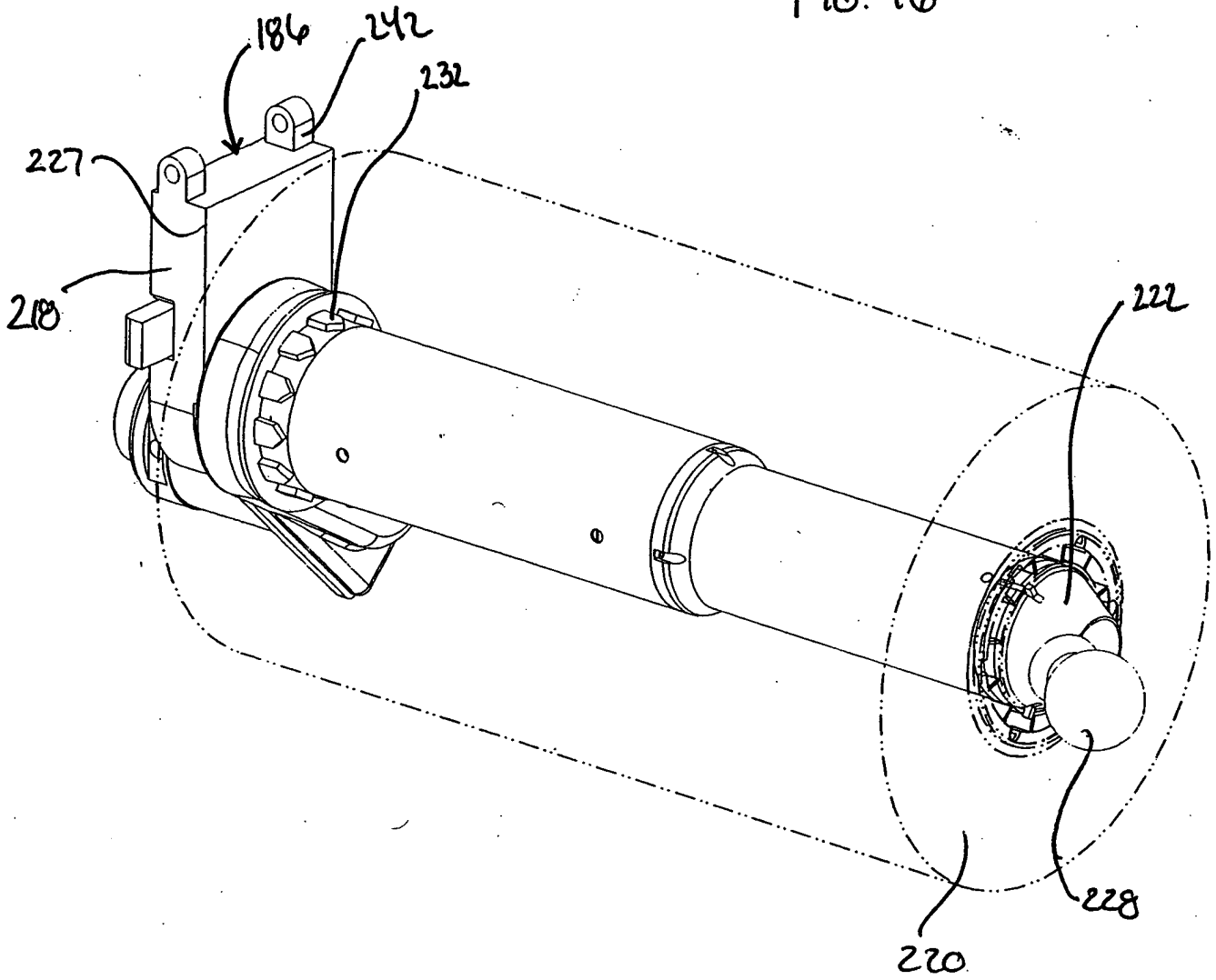
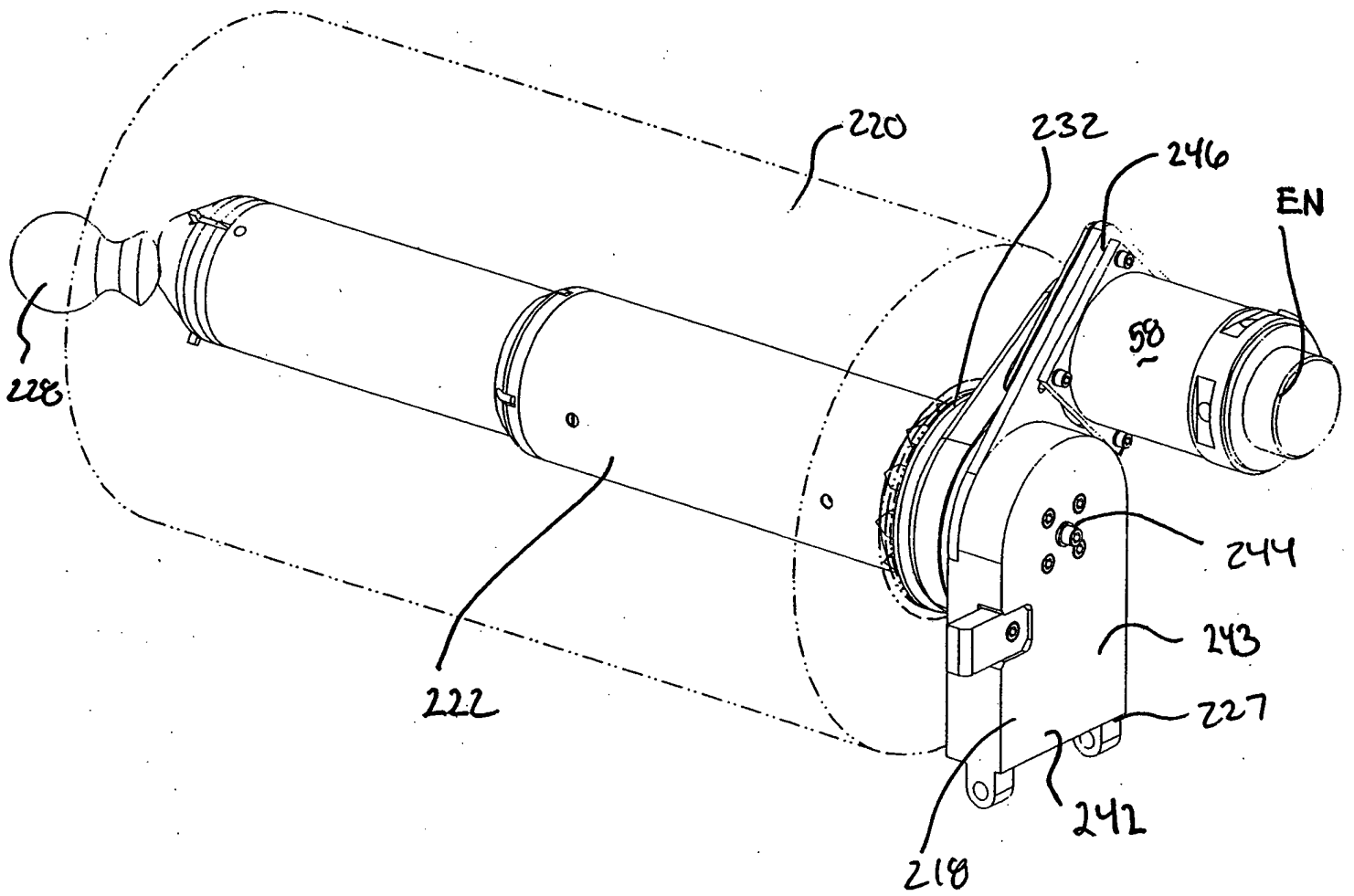


FIG-15B

FIG. 16



F16.17



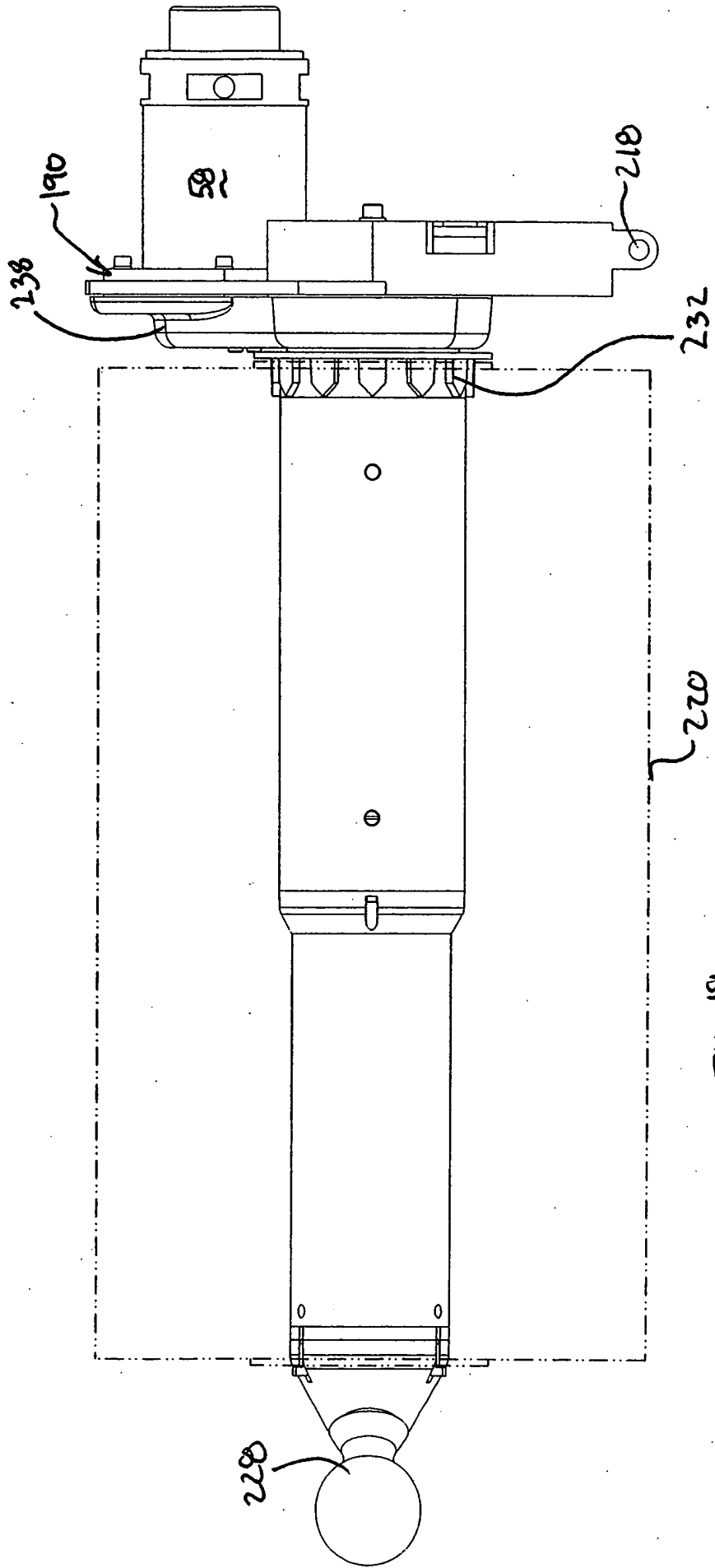


FIG. 18



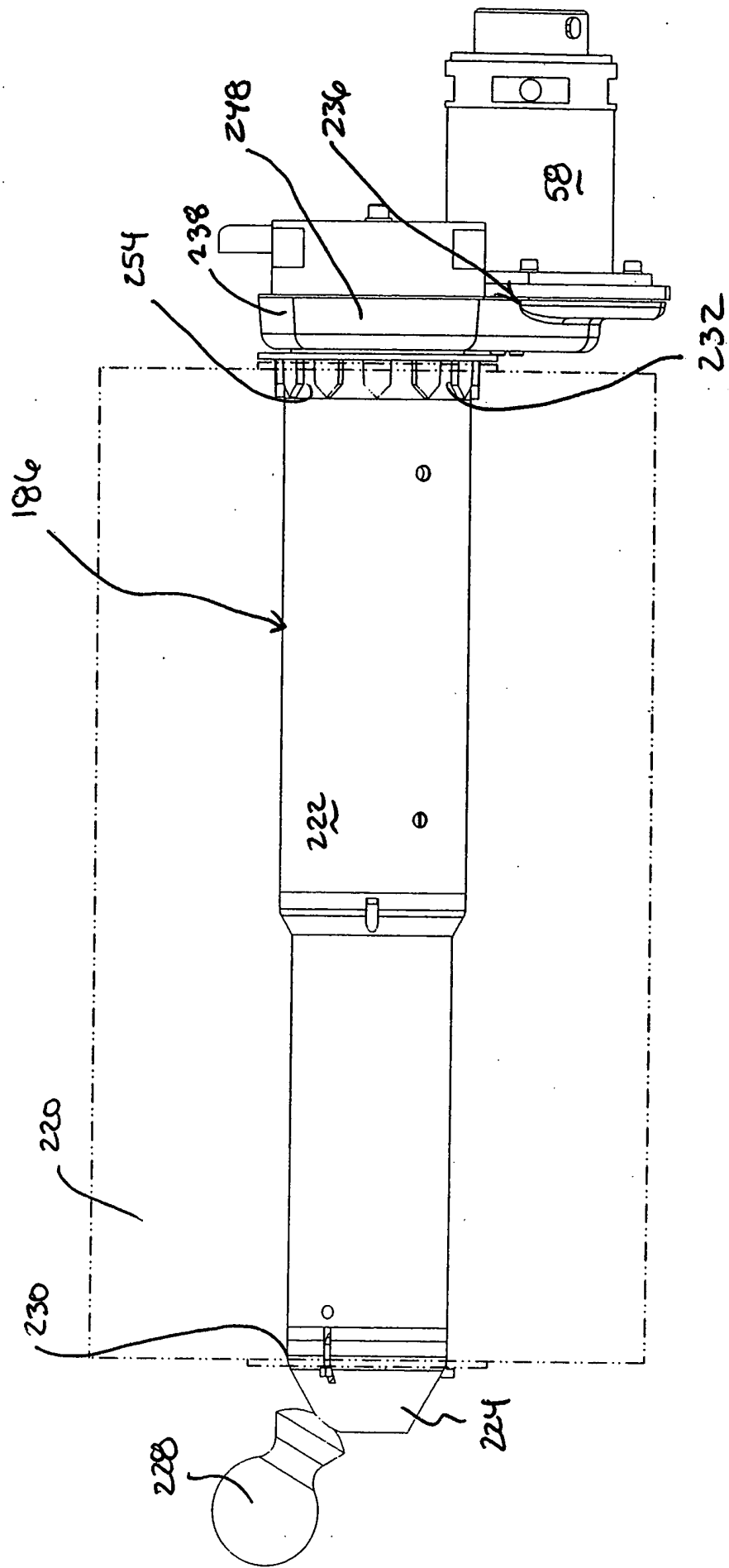


FIG. 19

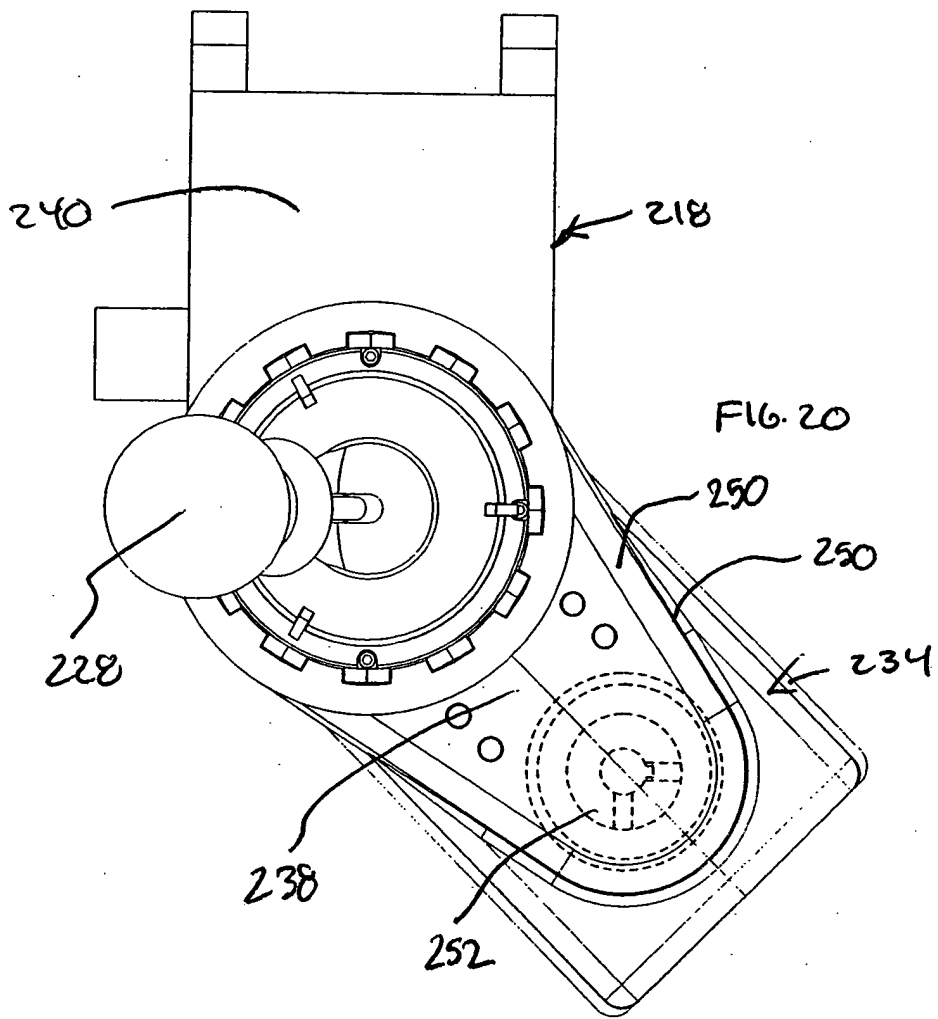
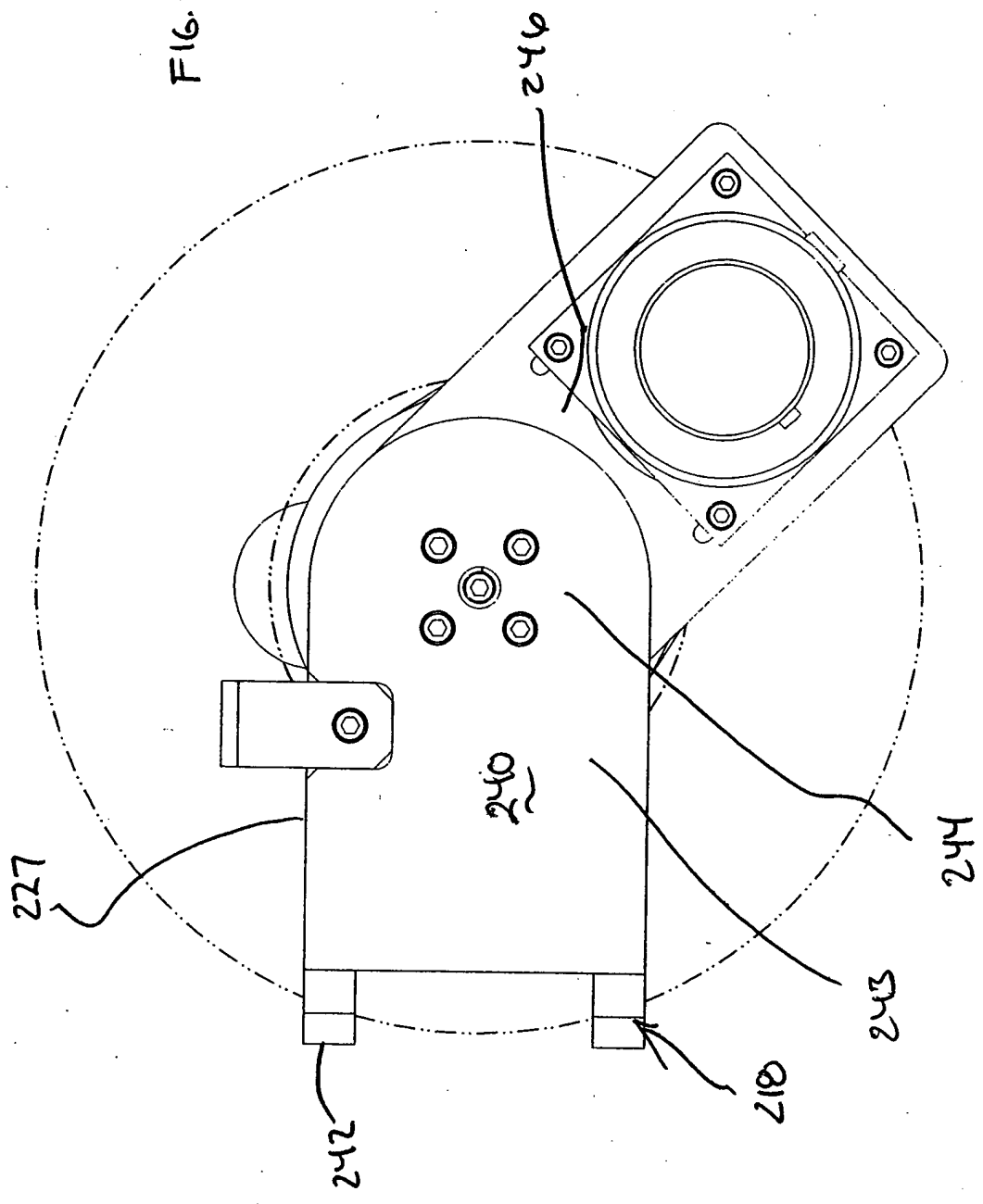


FIG. 21



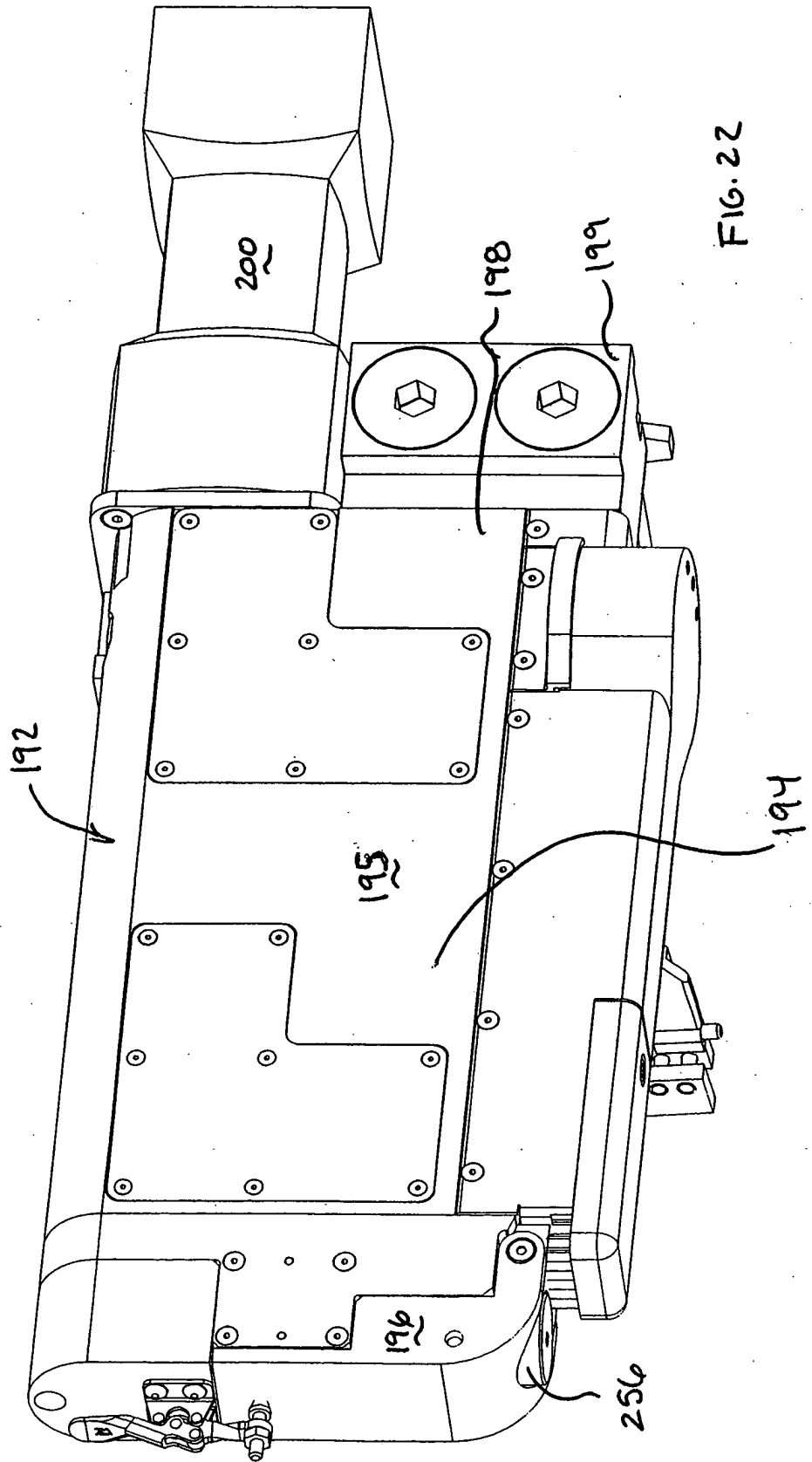


FIG. 22

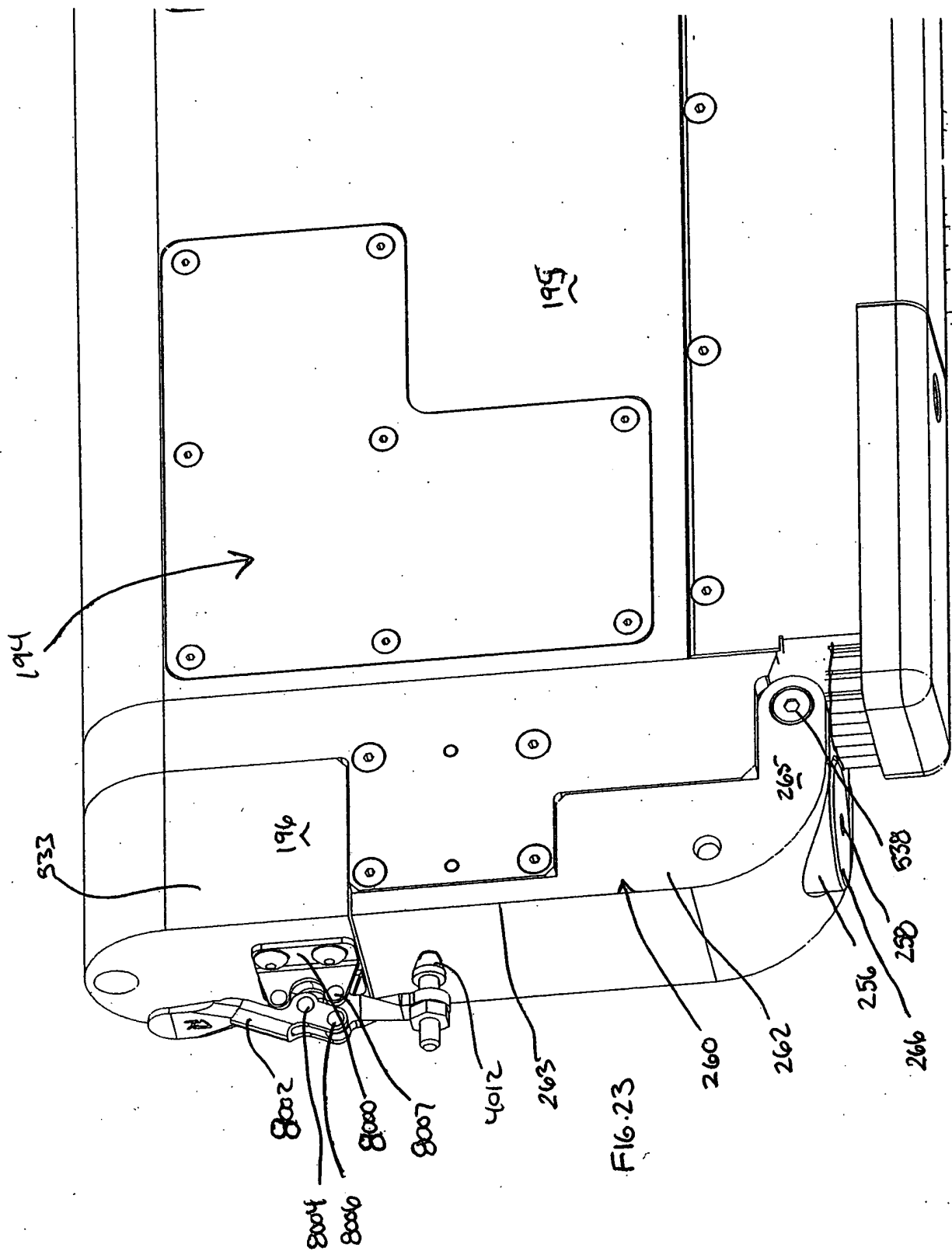


FIG. 23

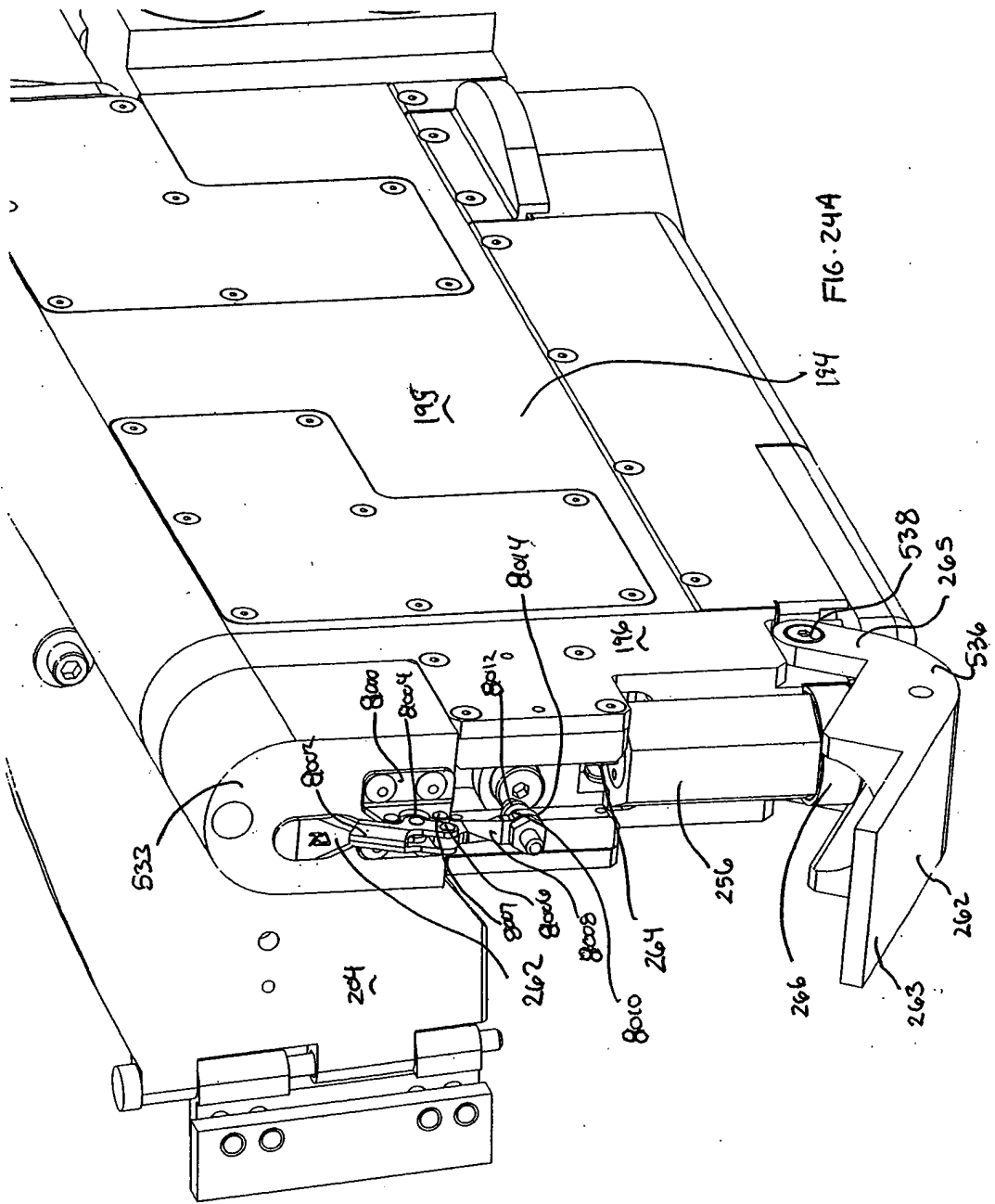


FIG. 24A

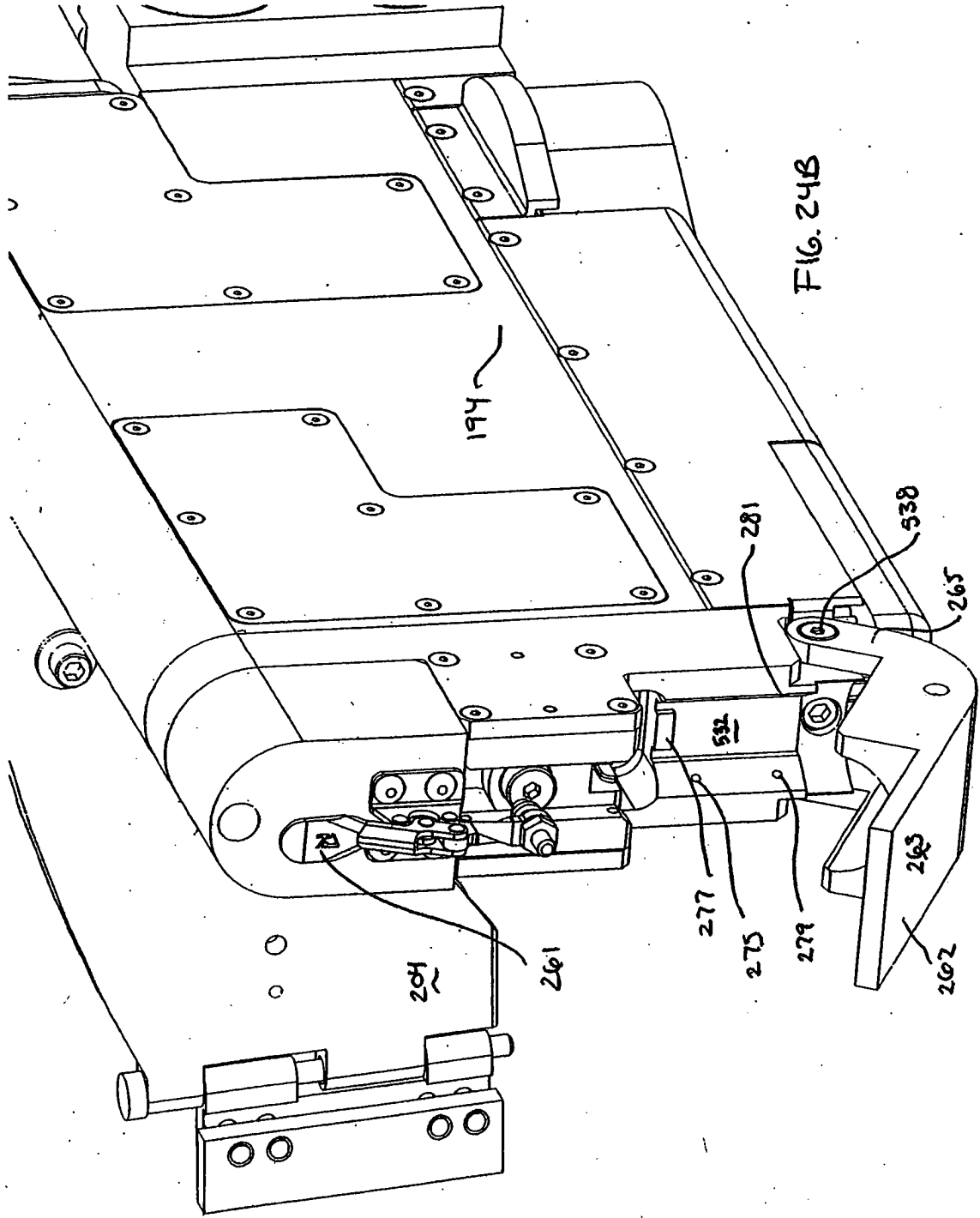


FIG. 24B

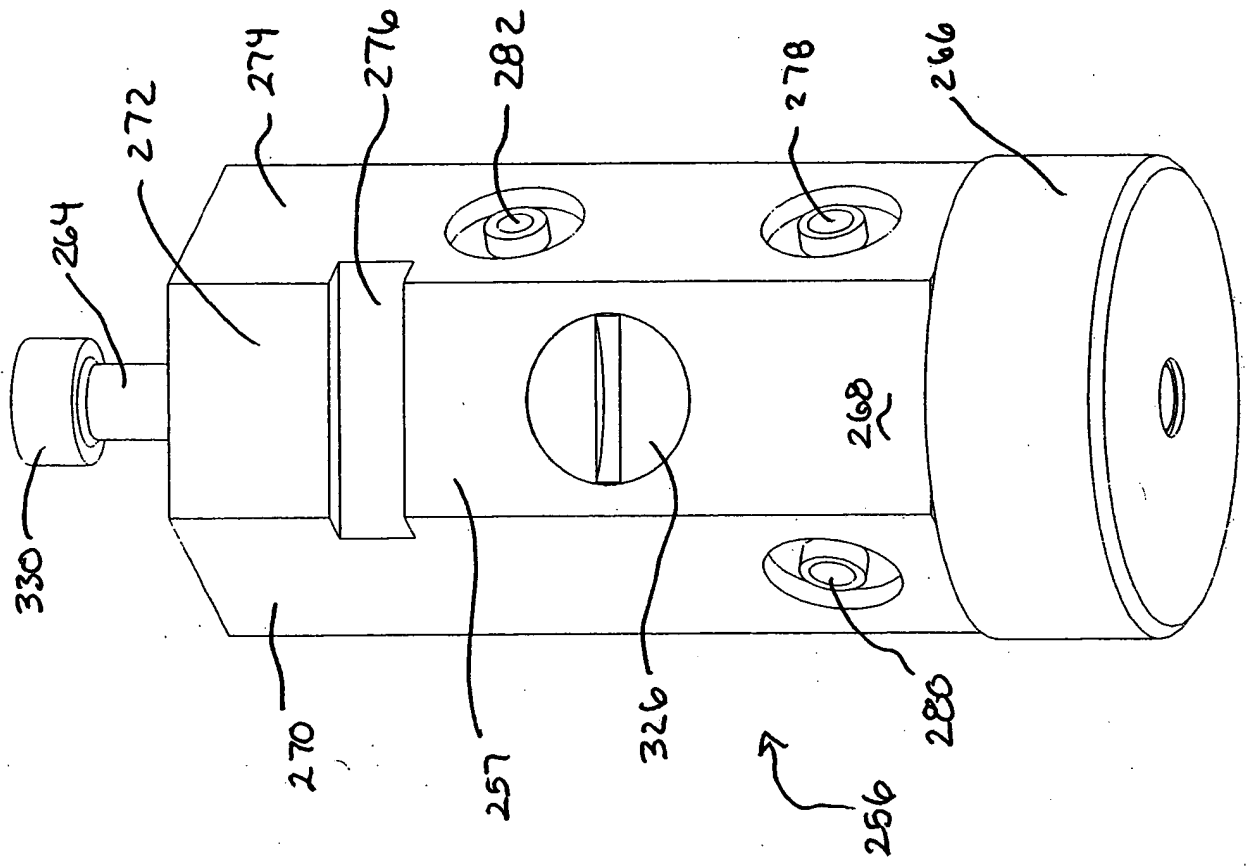


FIG. 25



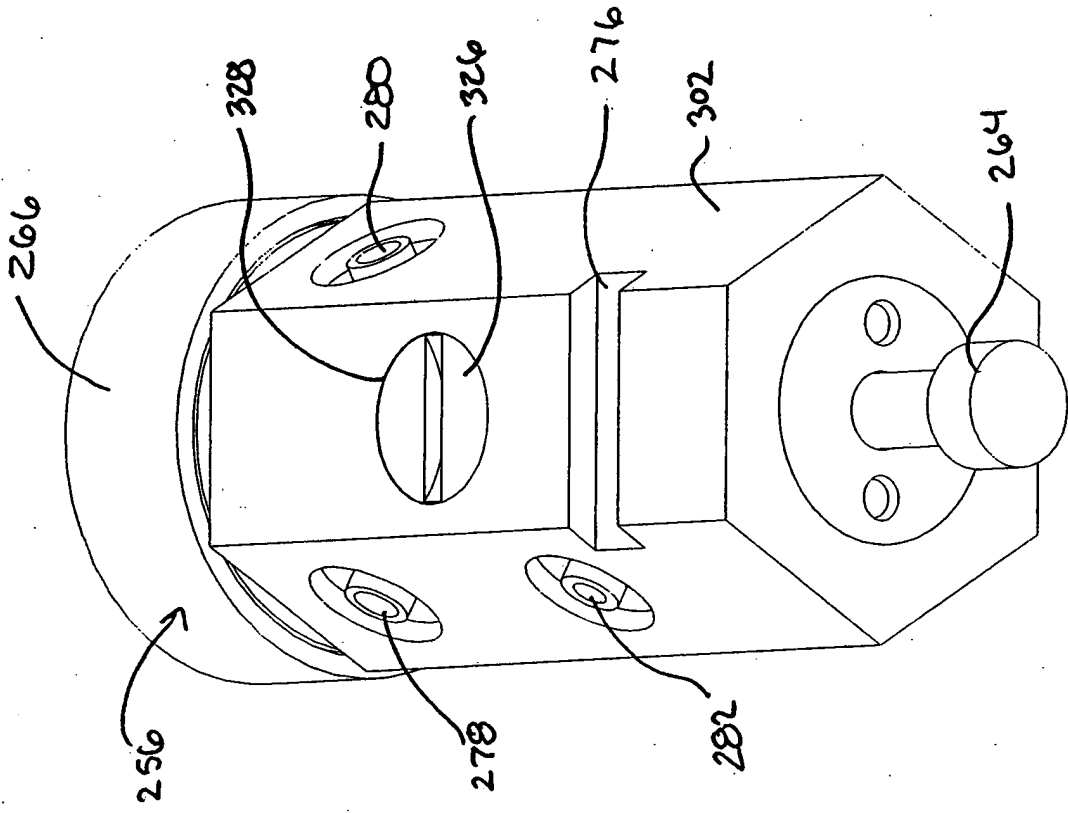
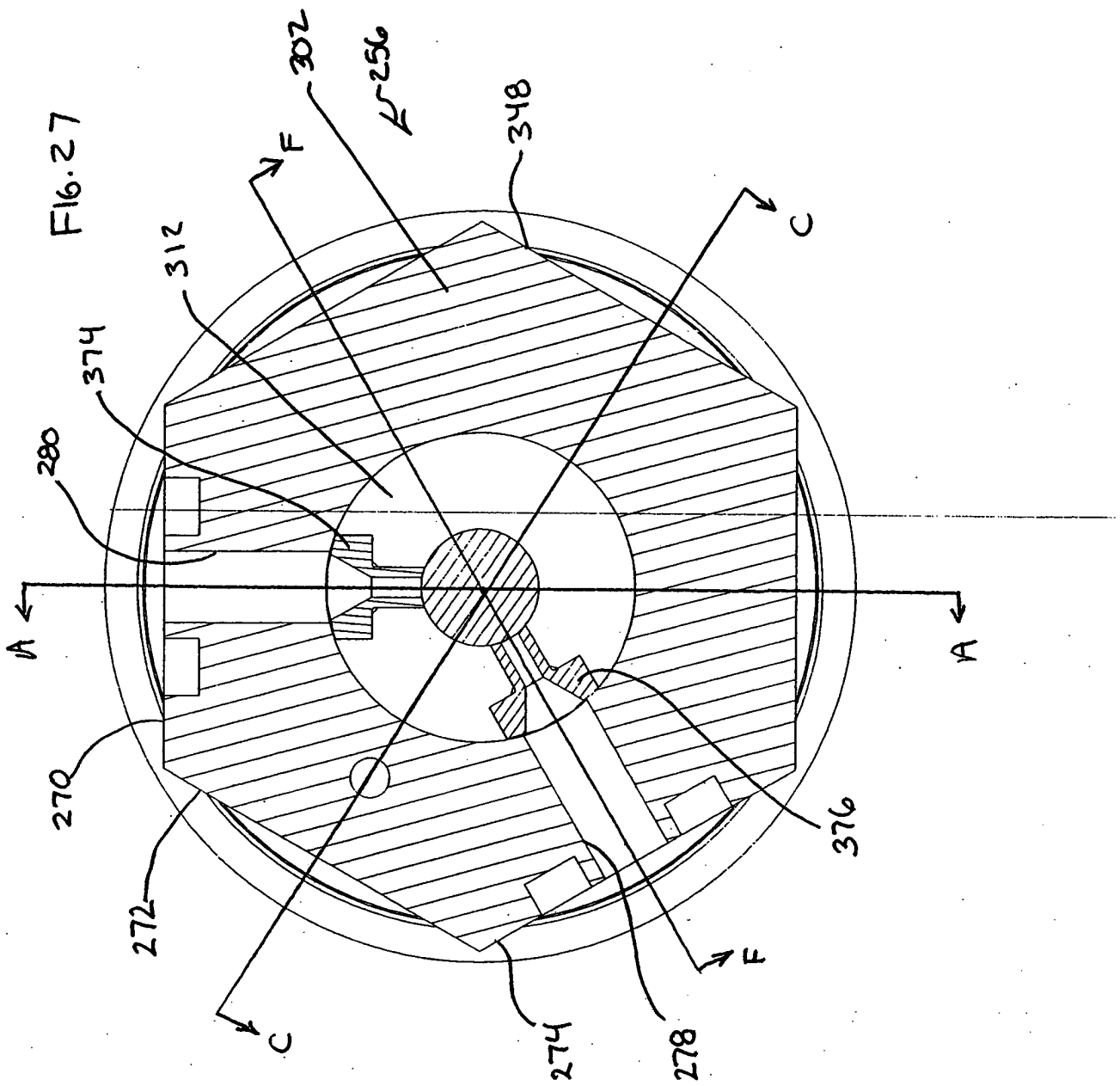


FIG. 26



SEE DETAIL 28A

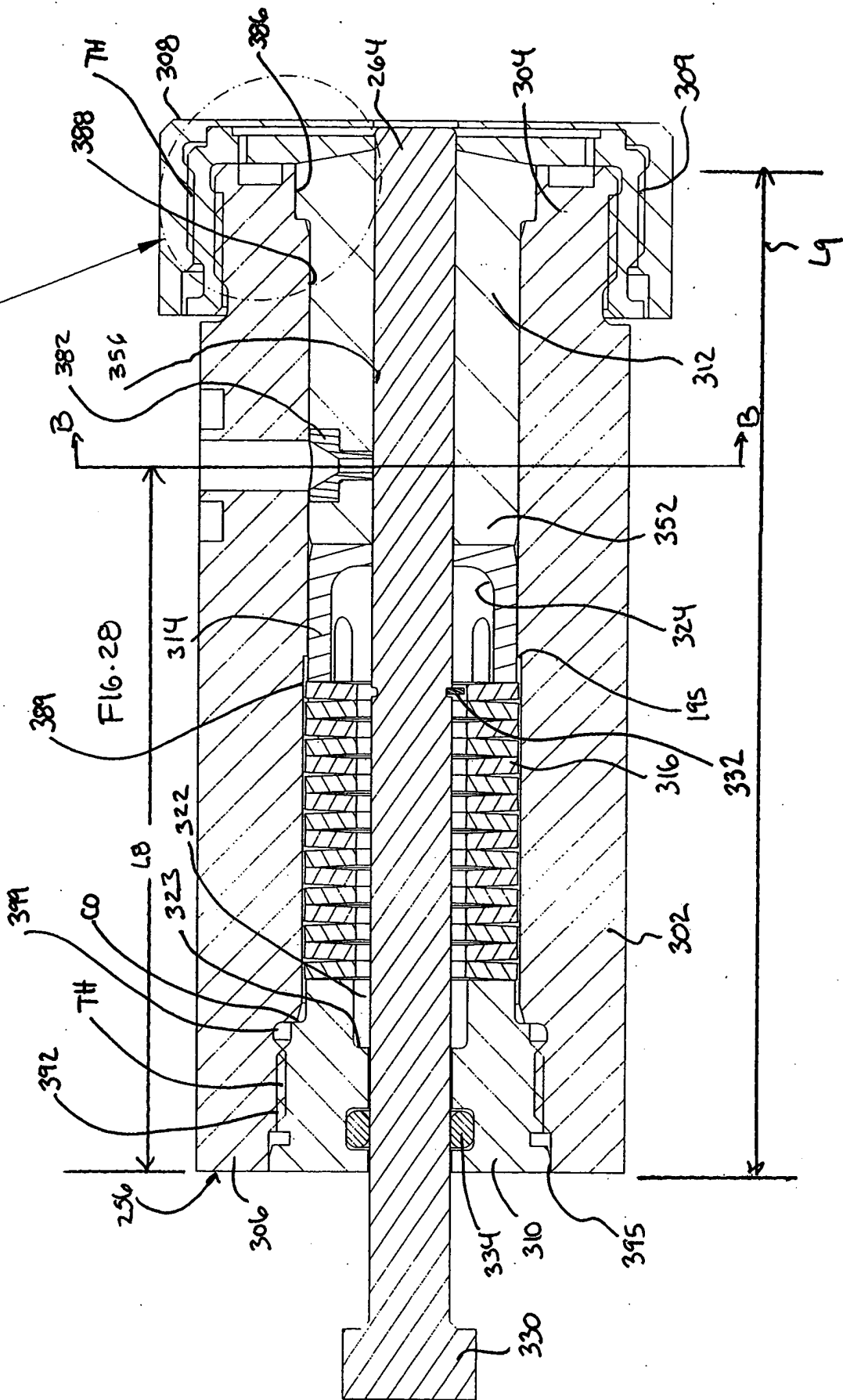
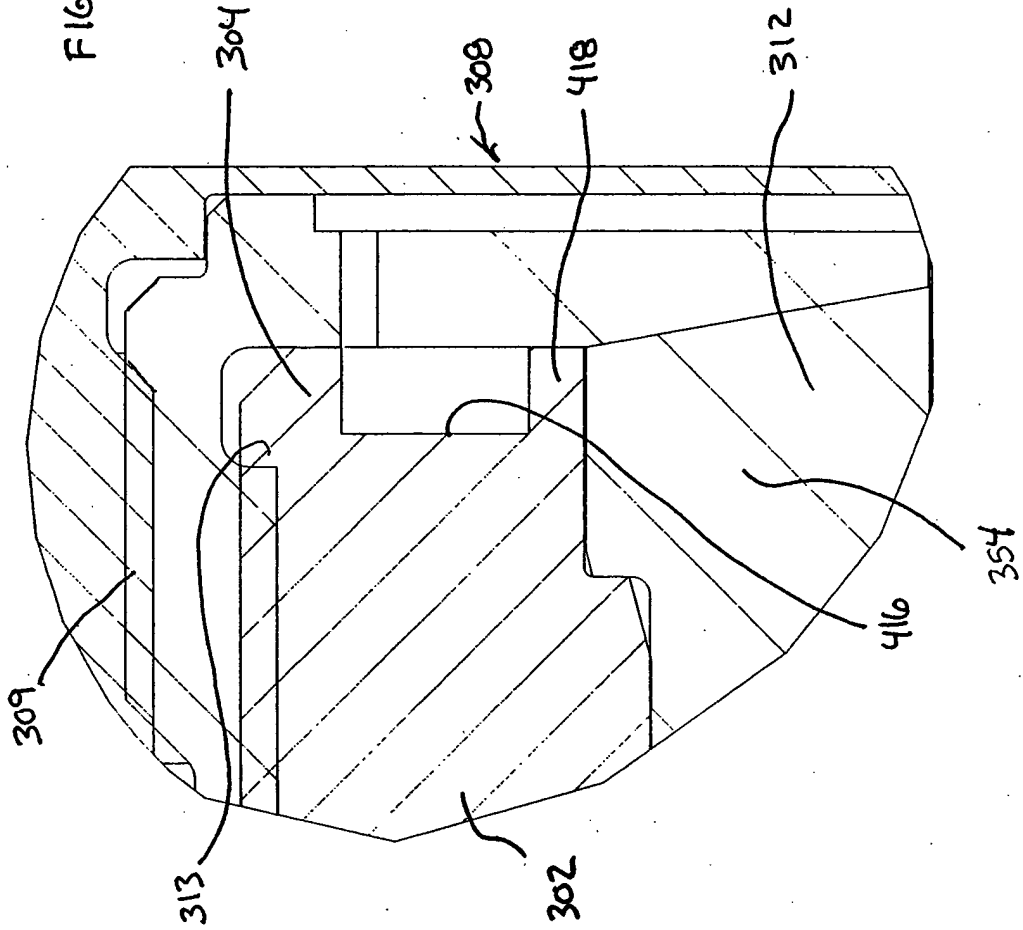


FIG. 28A



SEE DETAIL 27A

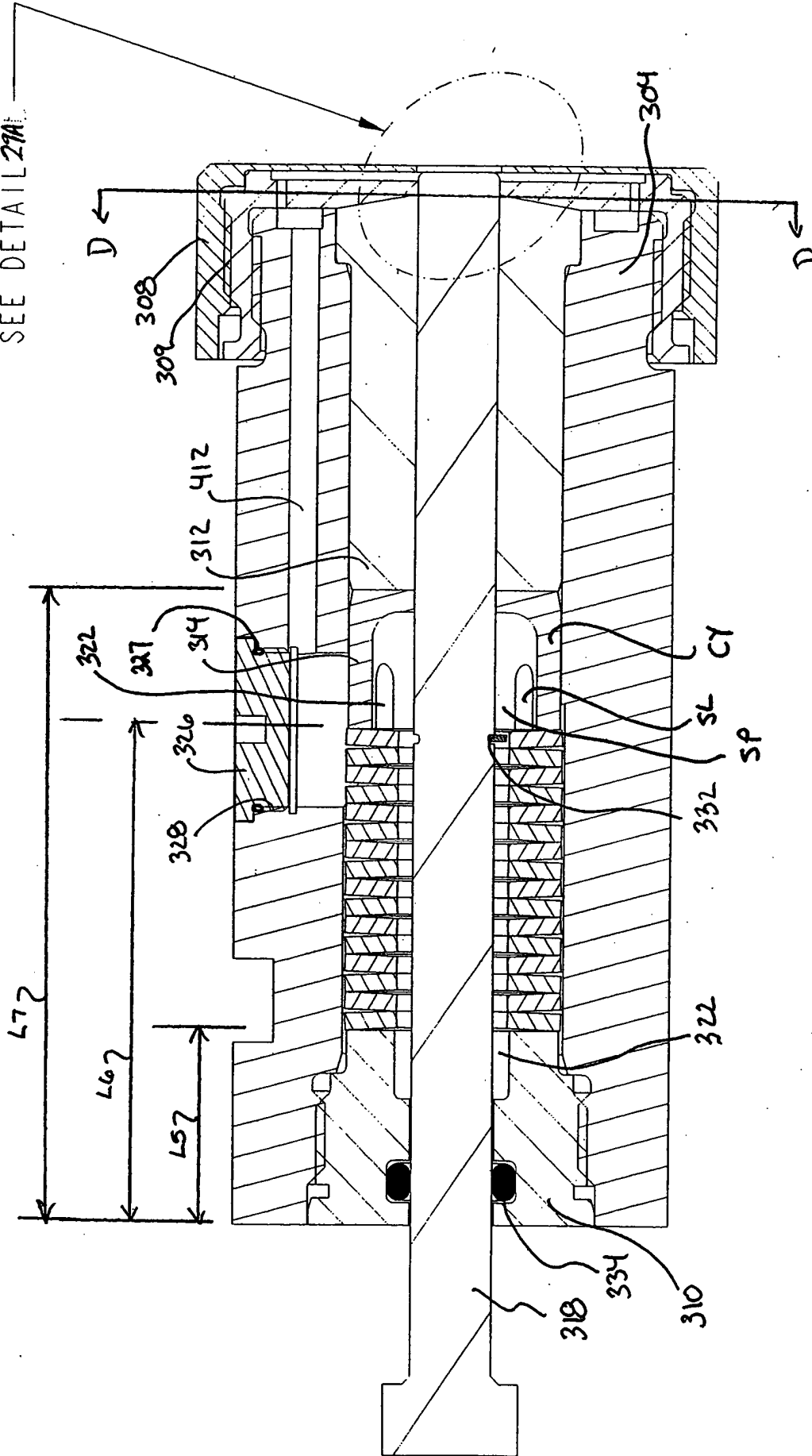


FIG. 29

FIG. 29A

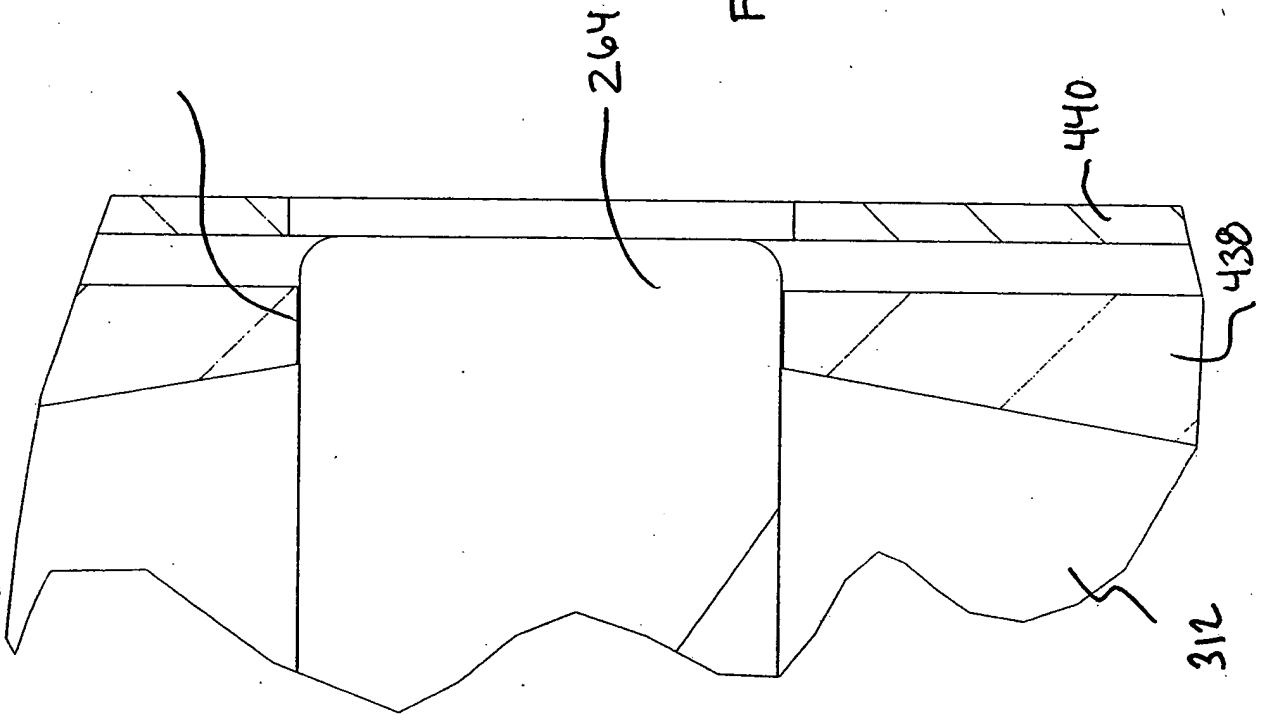
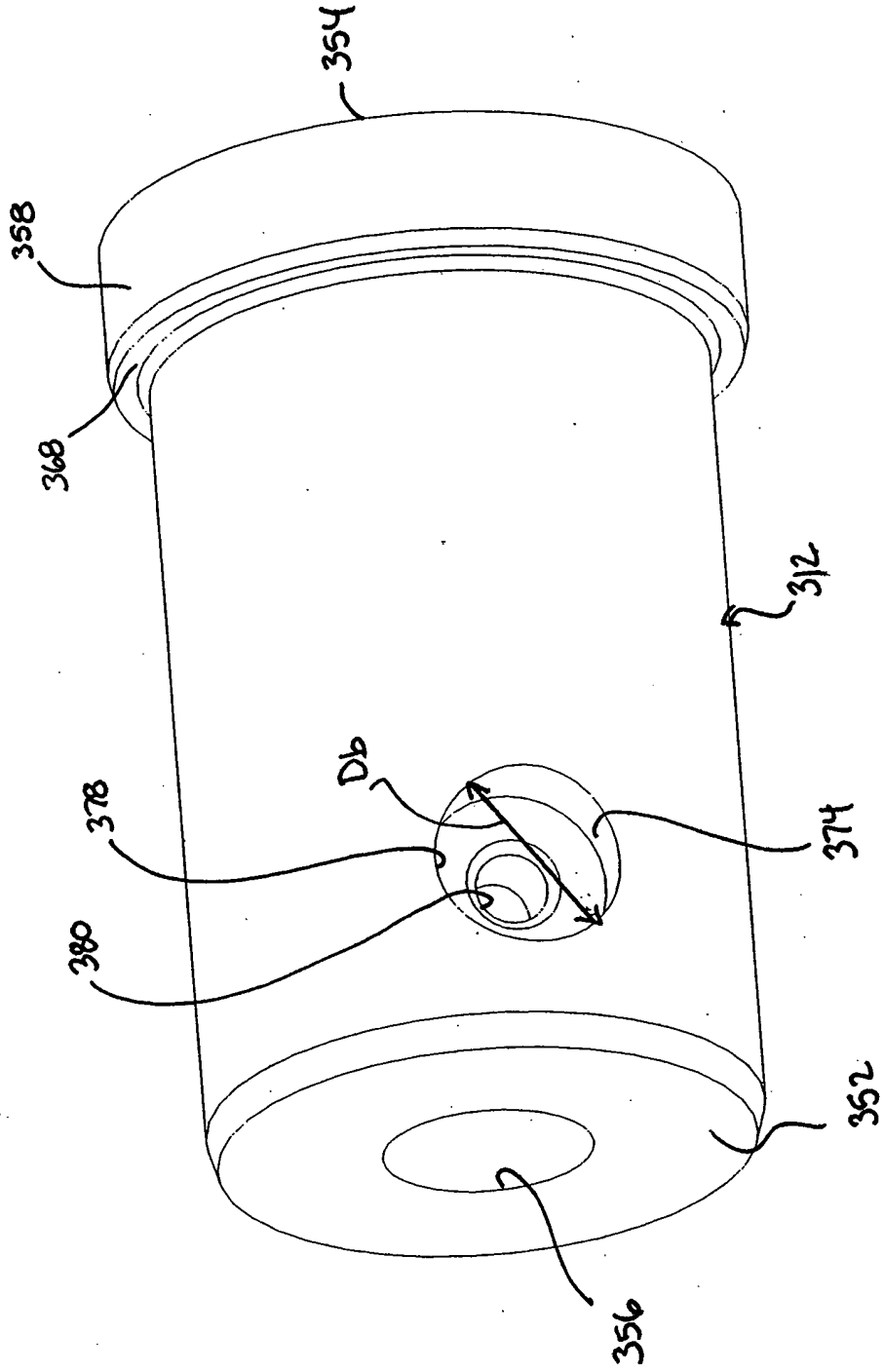


FIG. 29B



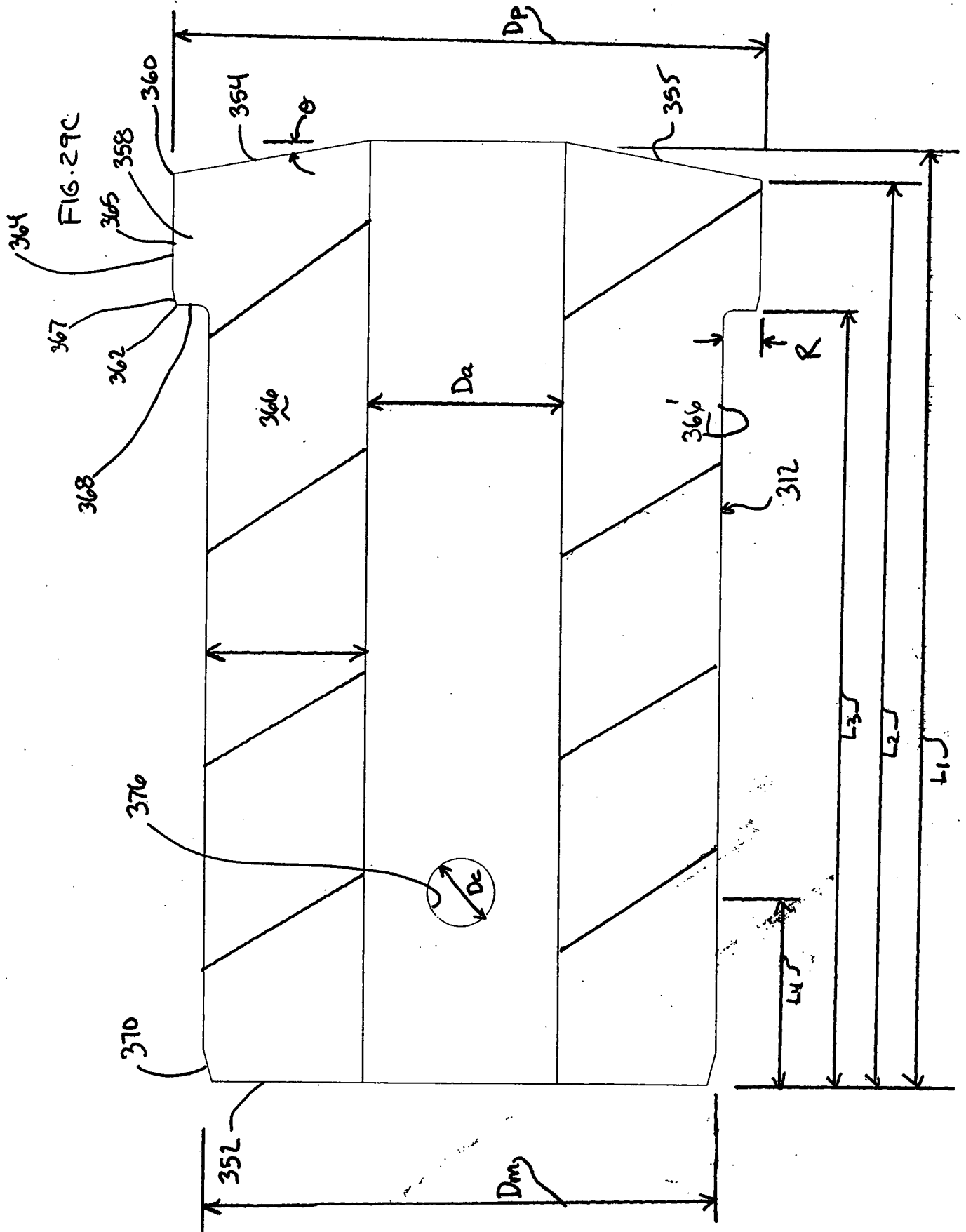




FIG. 30

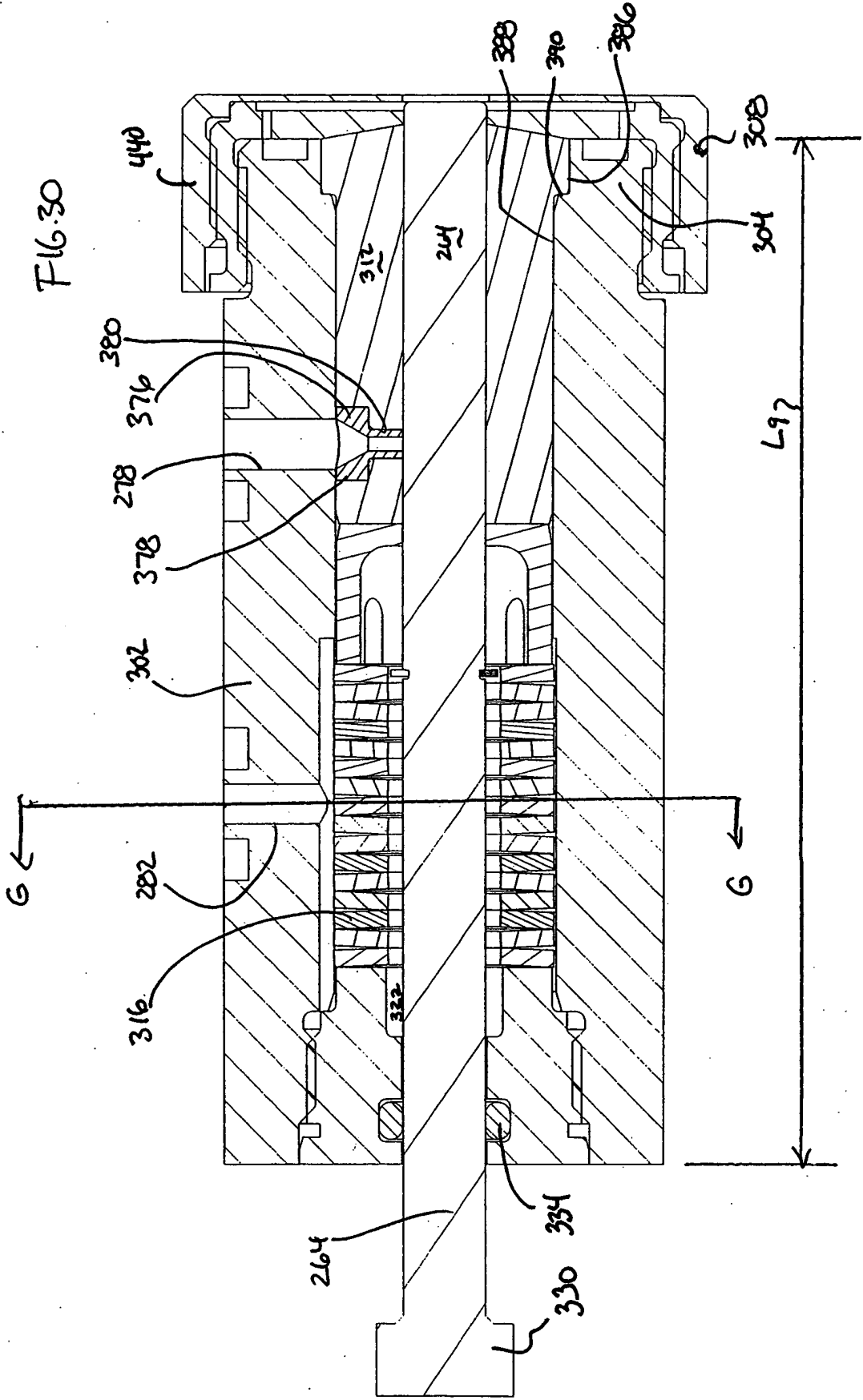
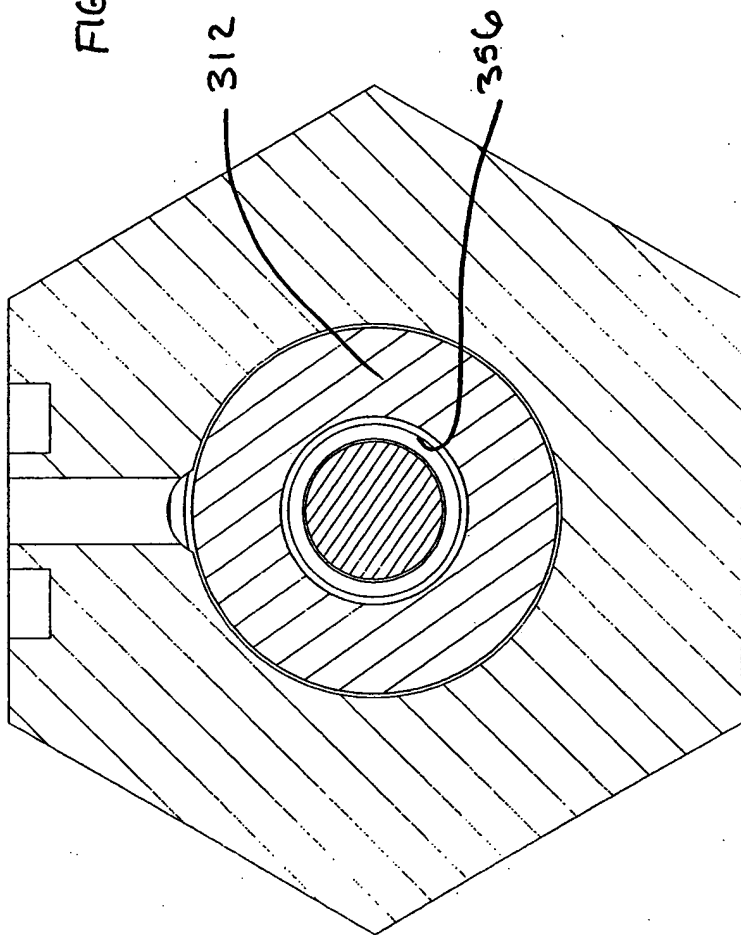


FIG. 31



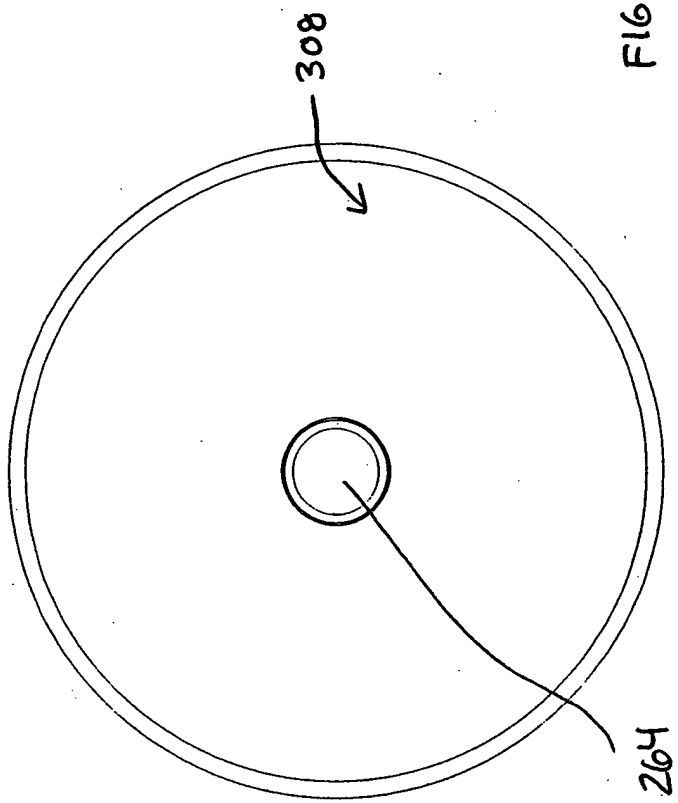
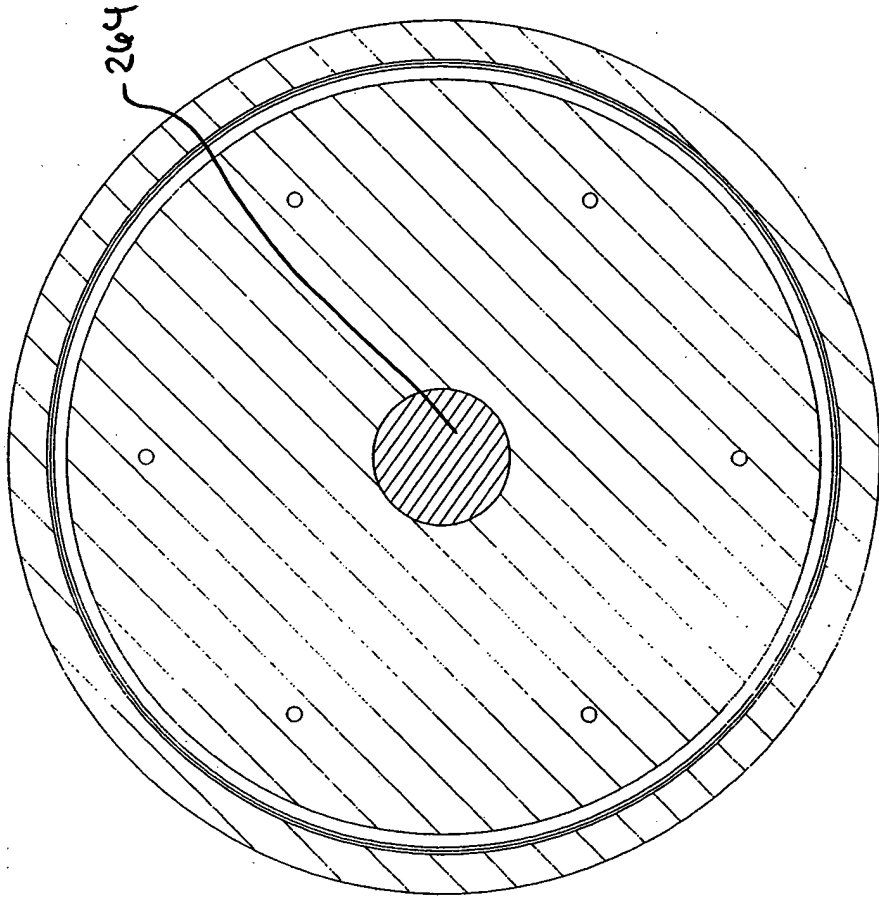


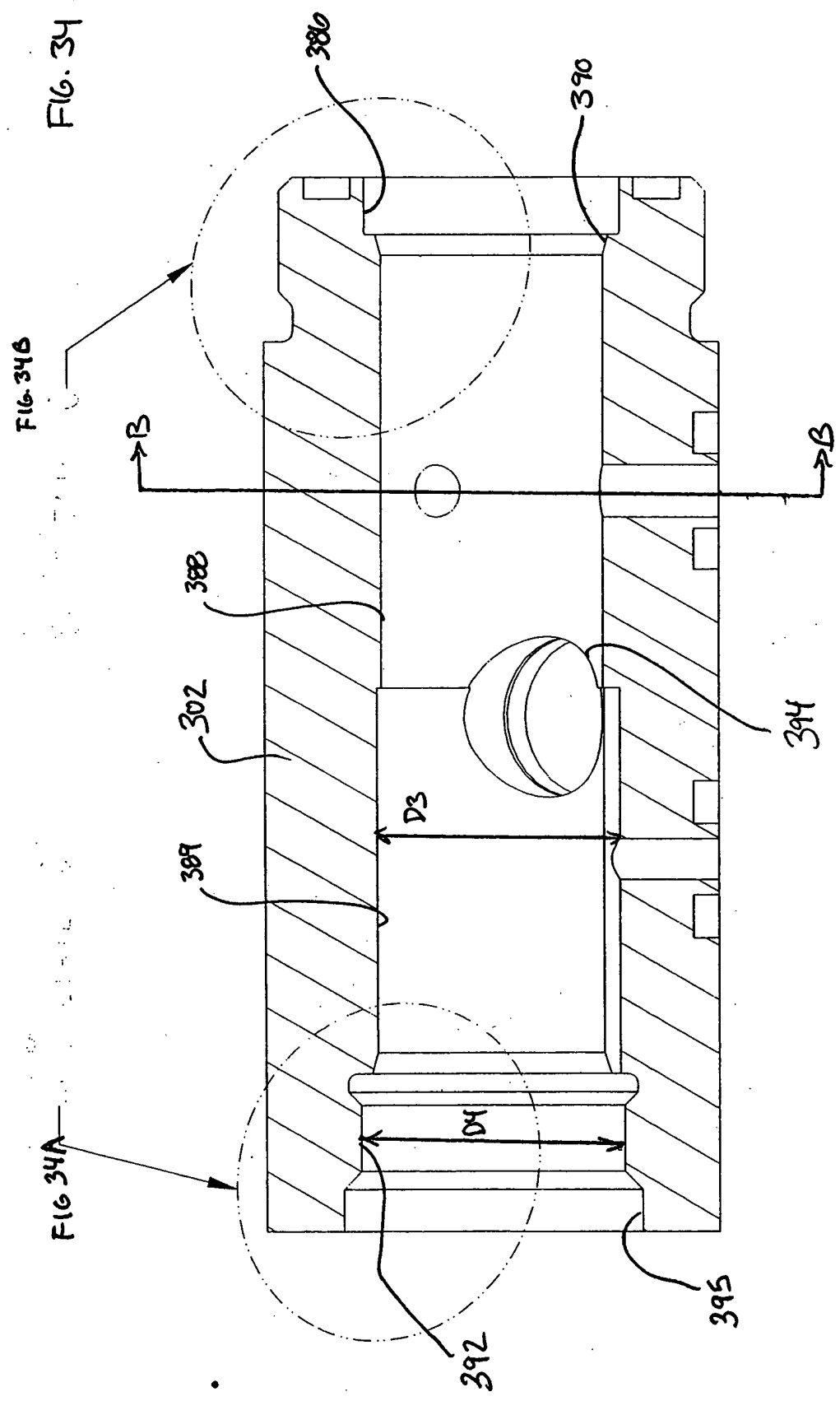
FIG. 32

FIG. 33



264

FIG. 34



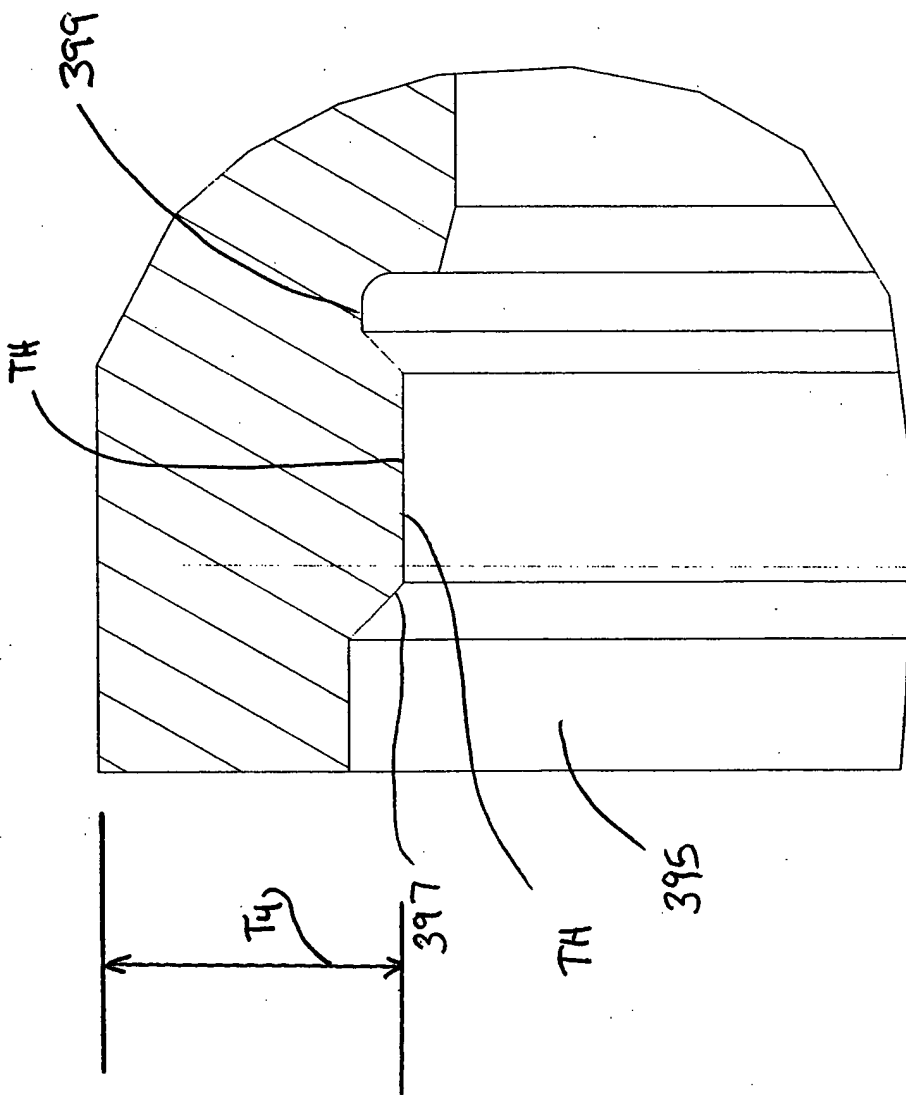


FIG. 341A

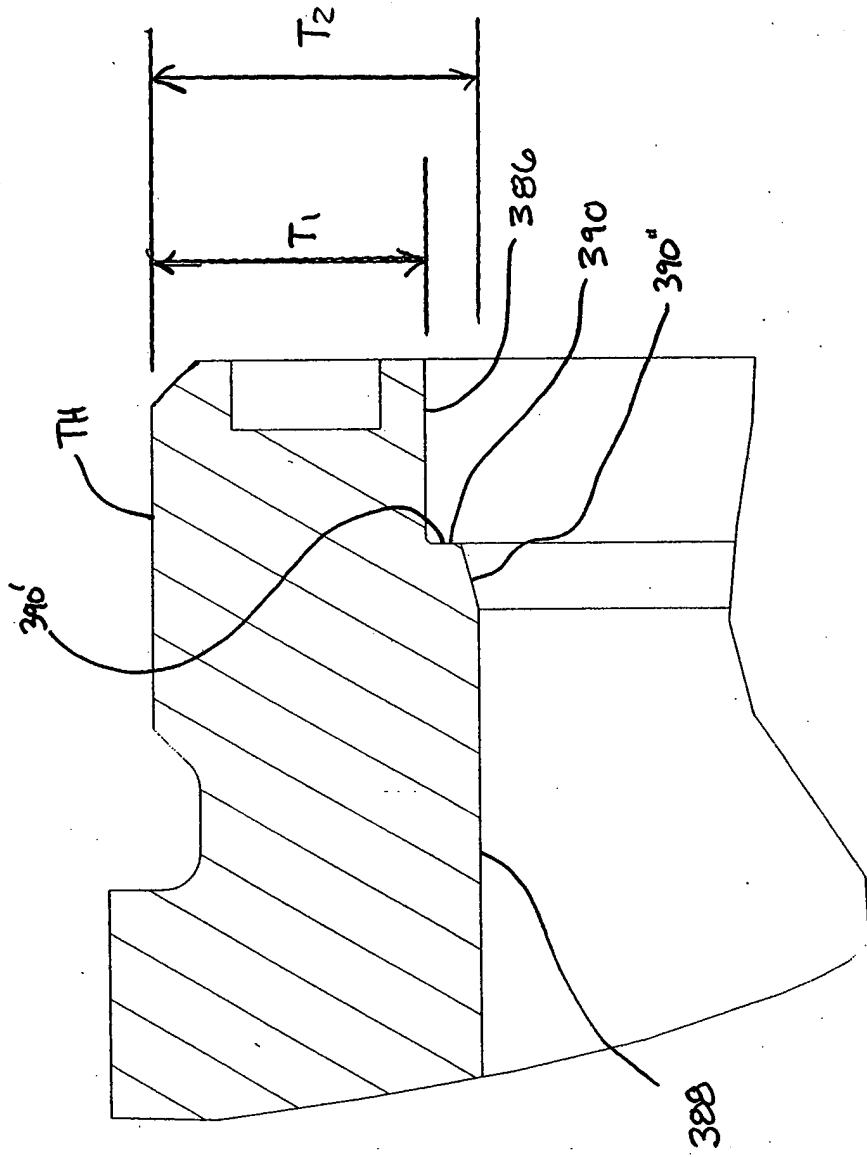


FIG. 34B

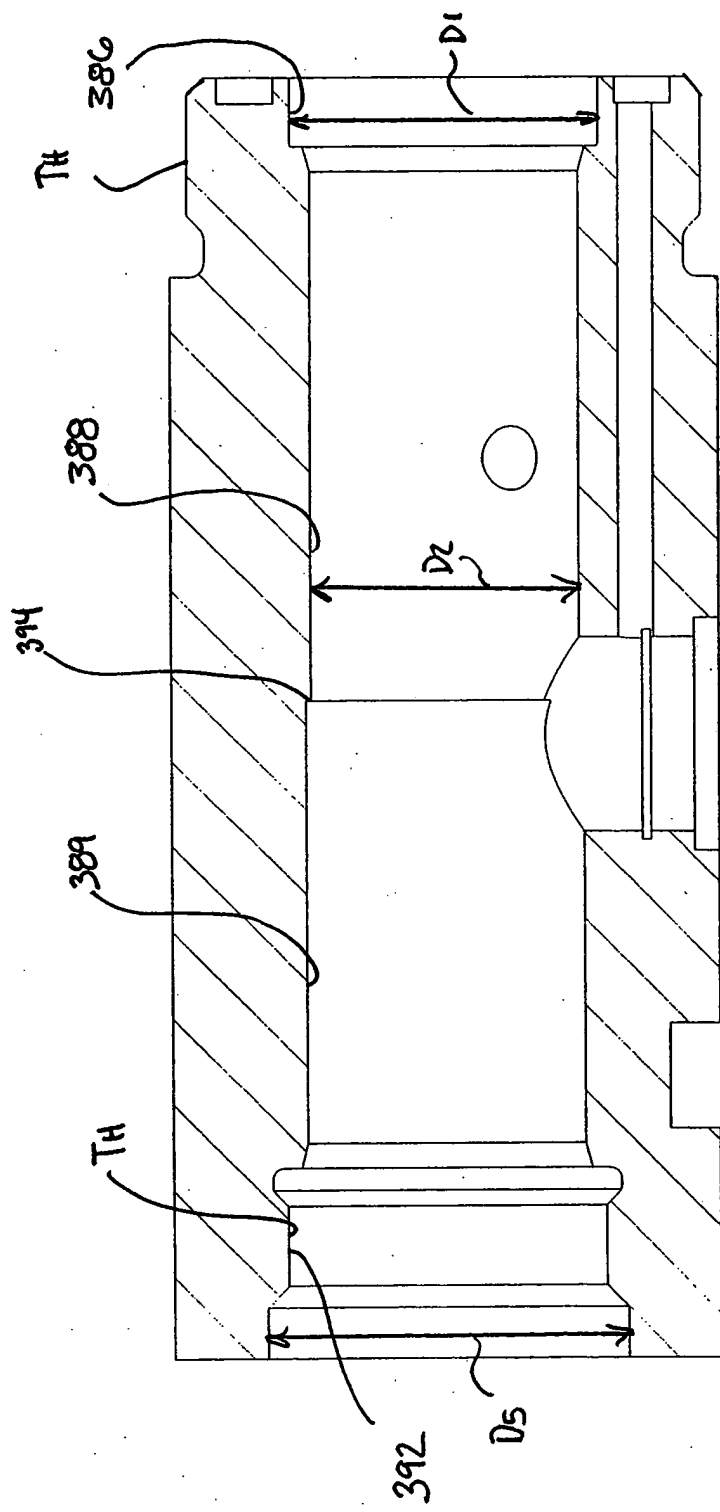


FIG. 35



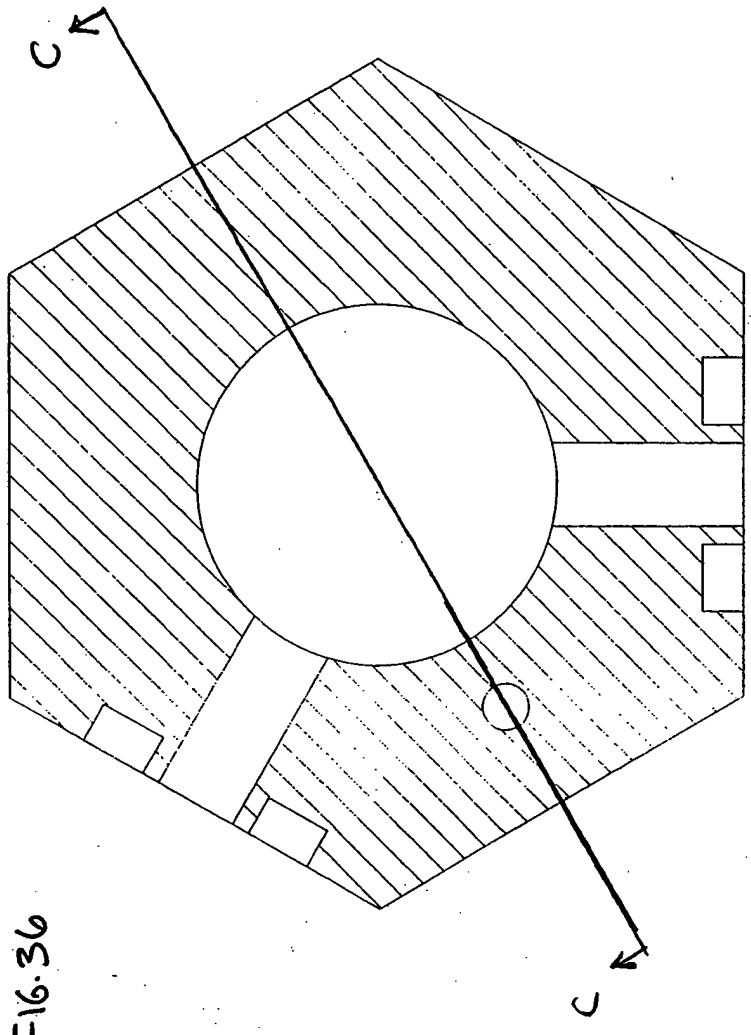


FIG. 36

FIG. 37

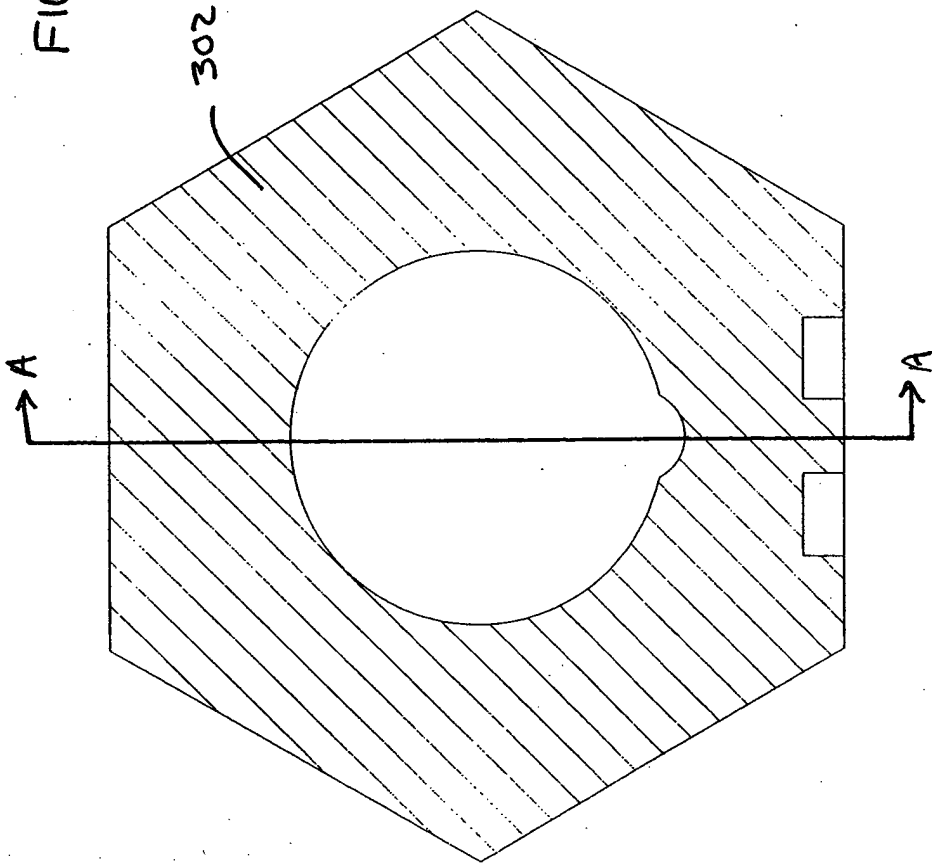
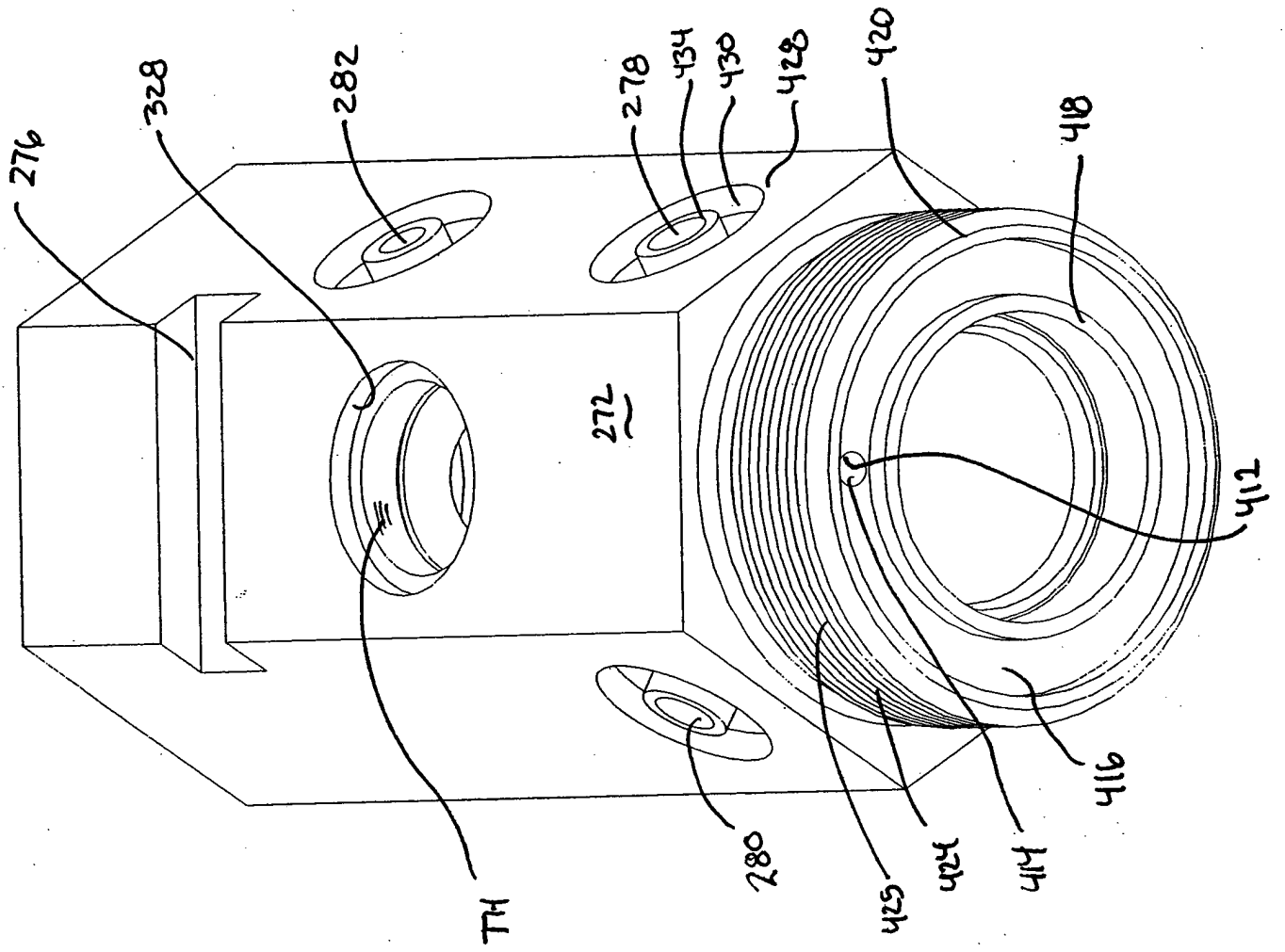
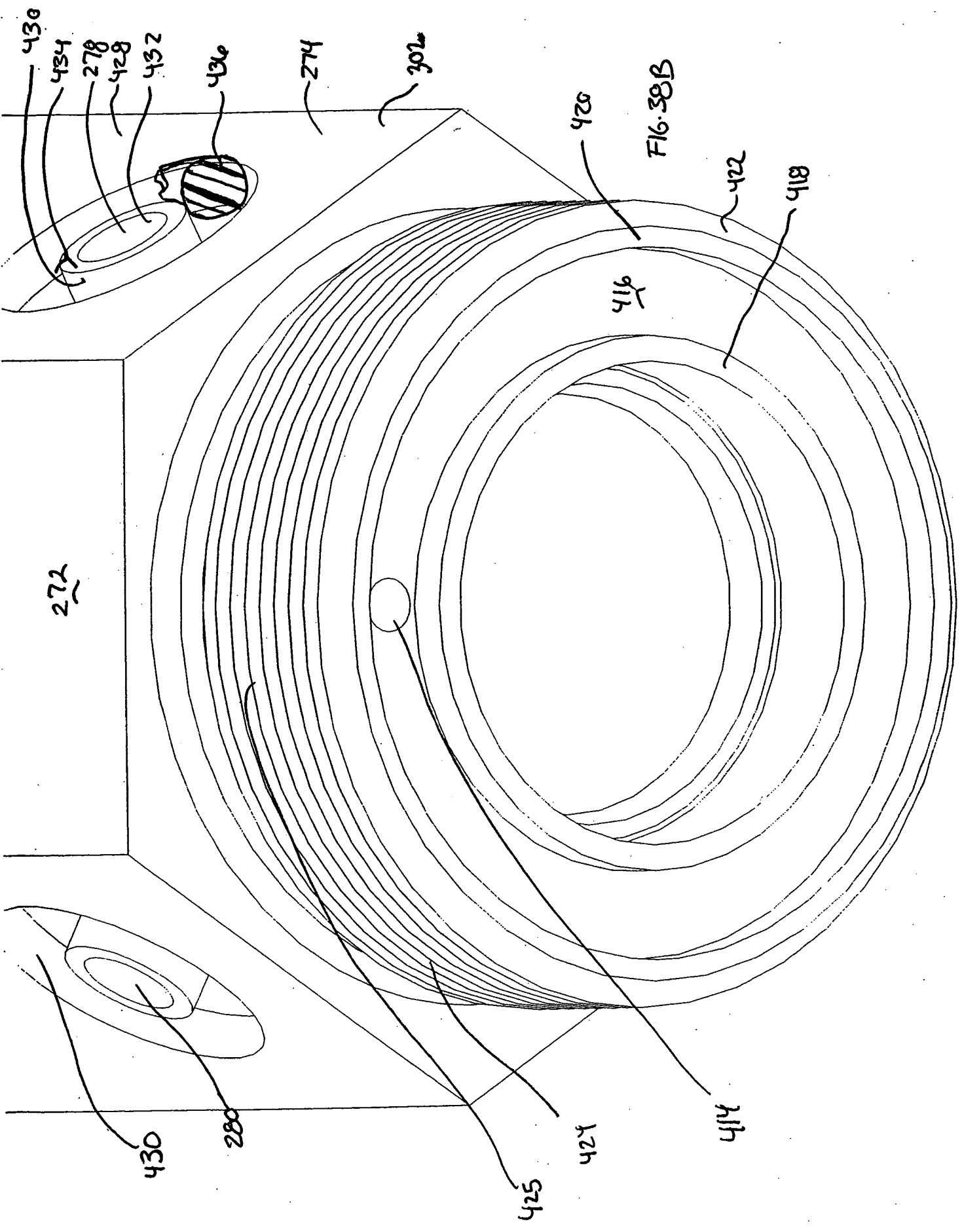


FIG. 38A





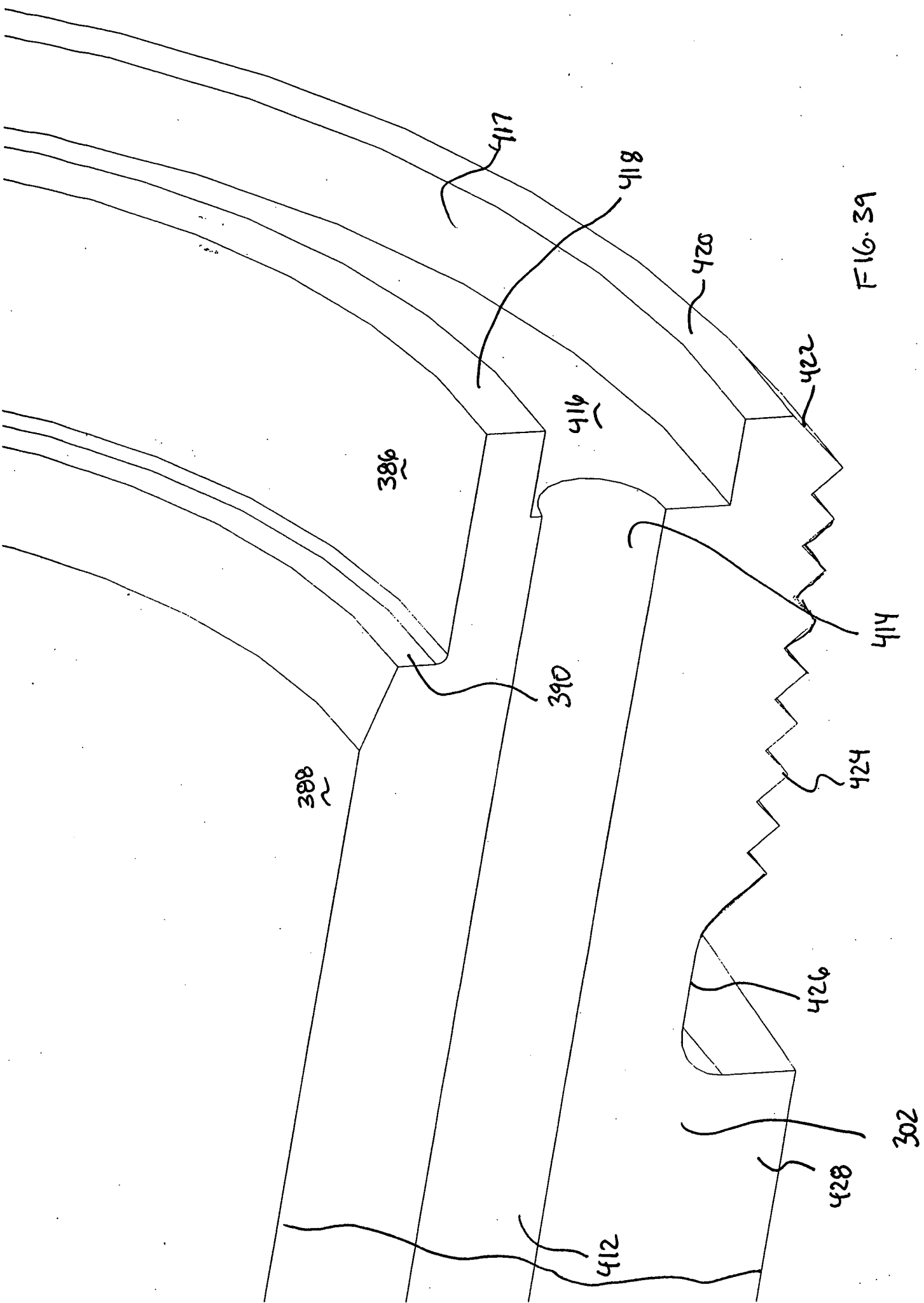


FIG. 39

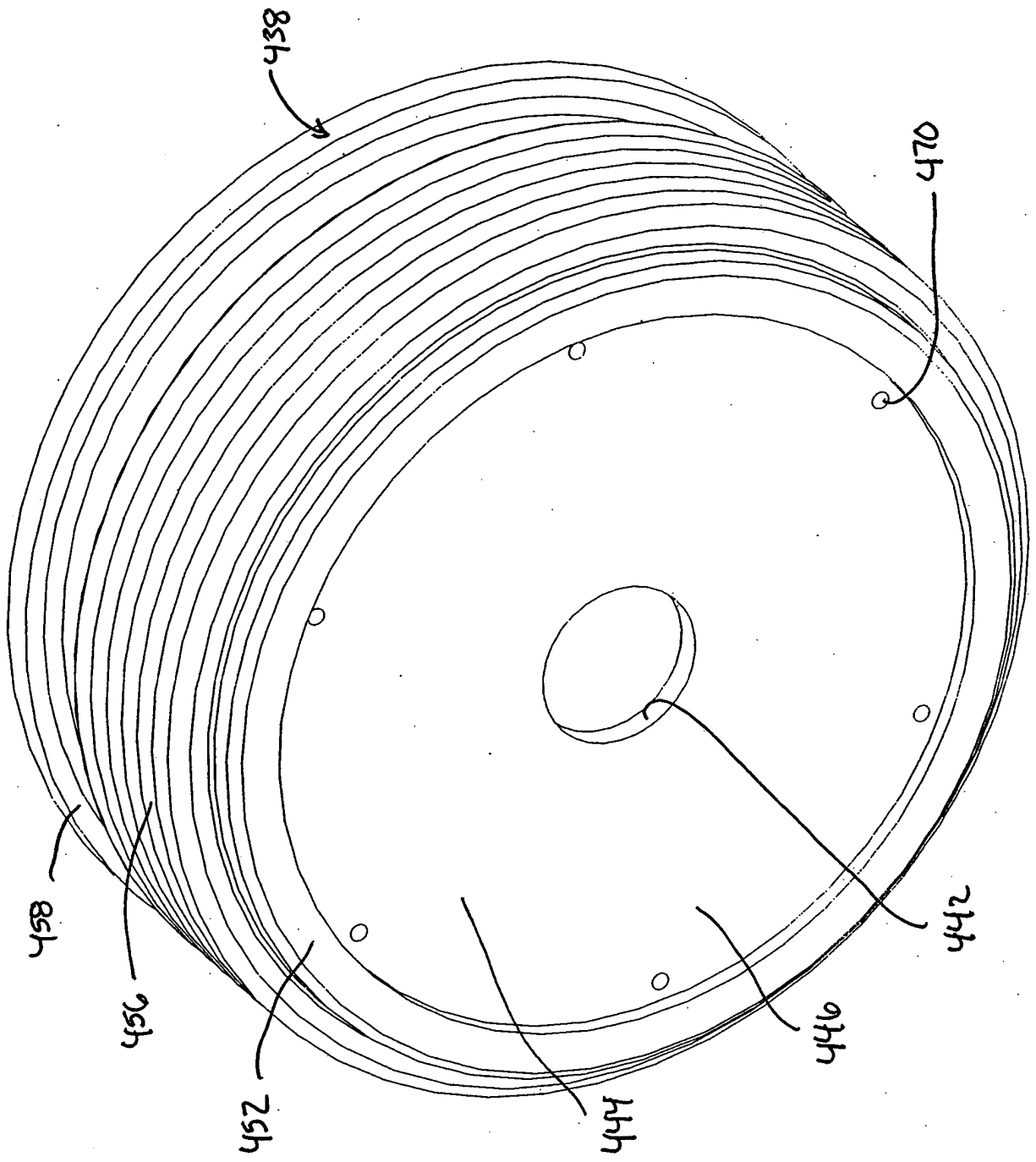


FIG. 40

FIG. 41

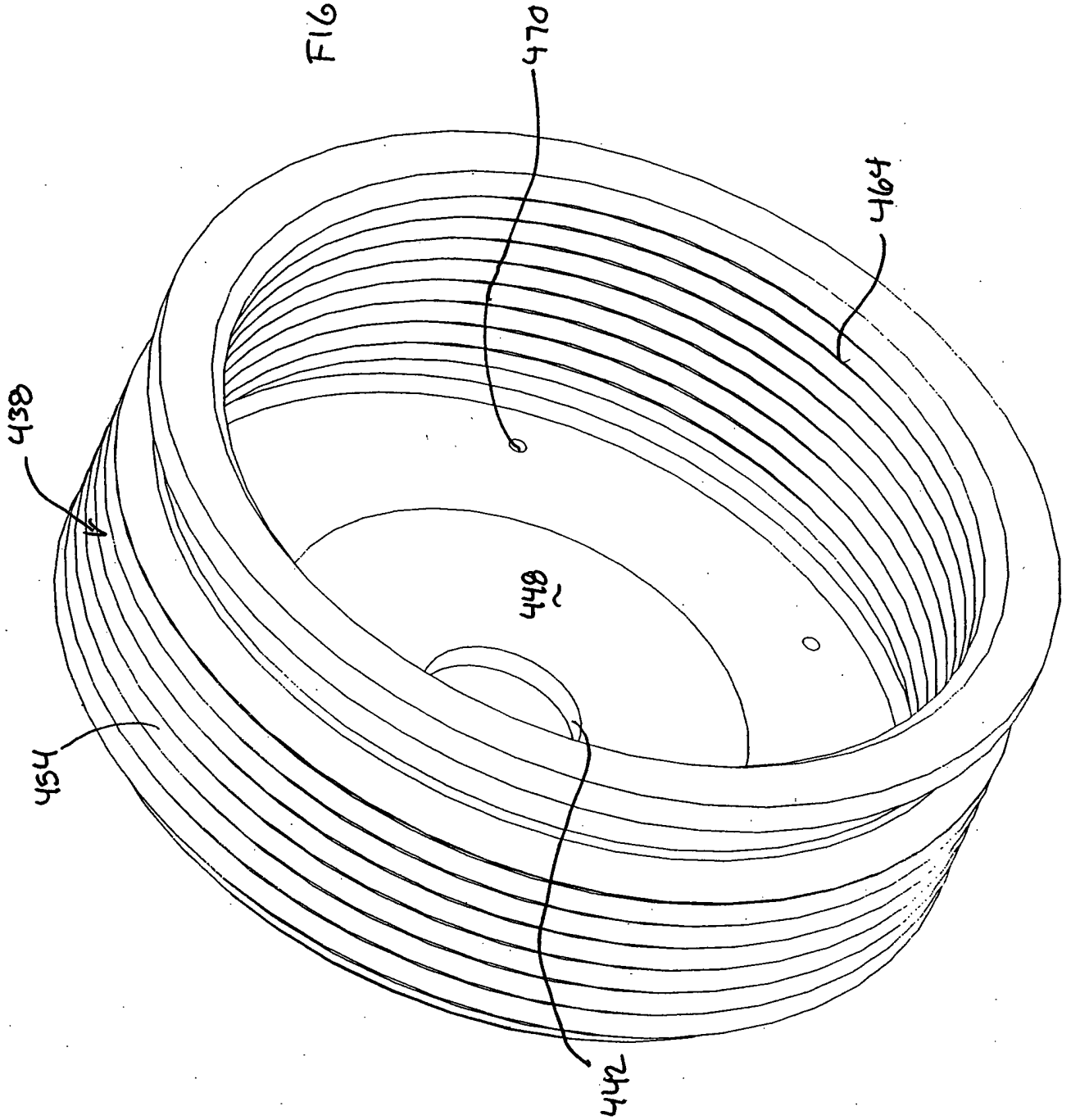
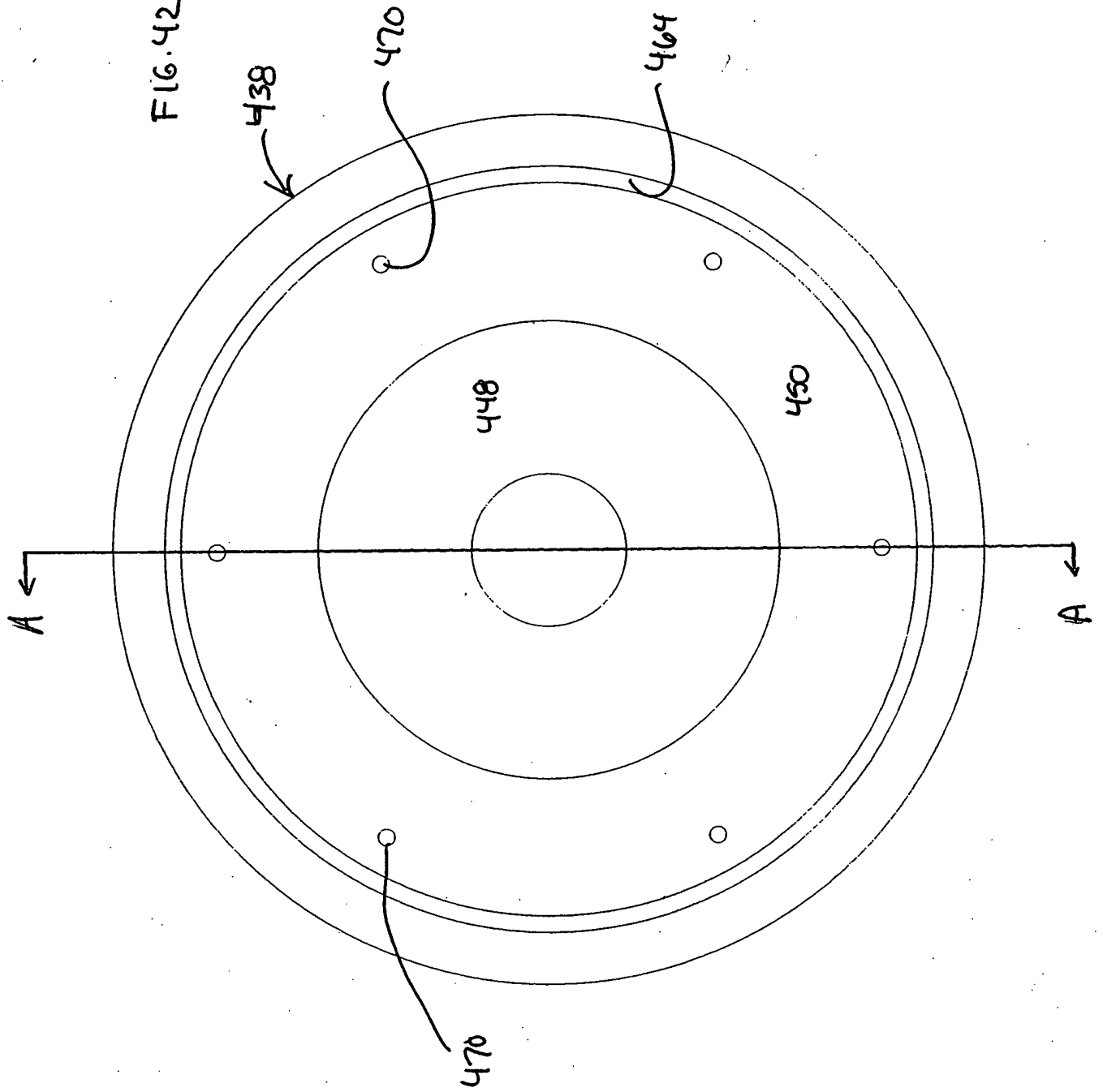


FIG. 42





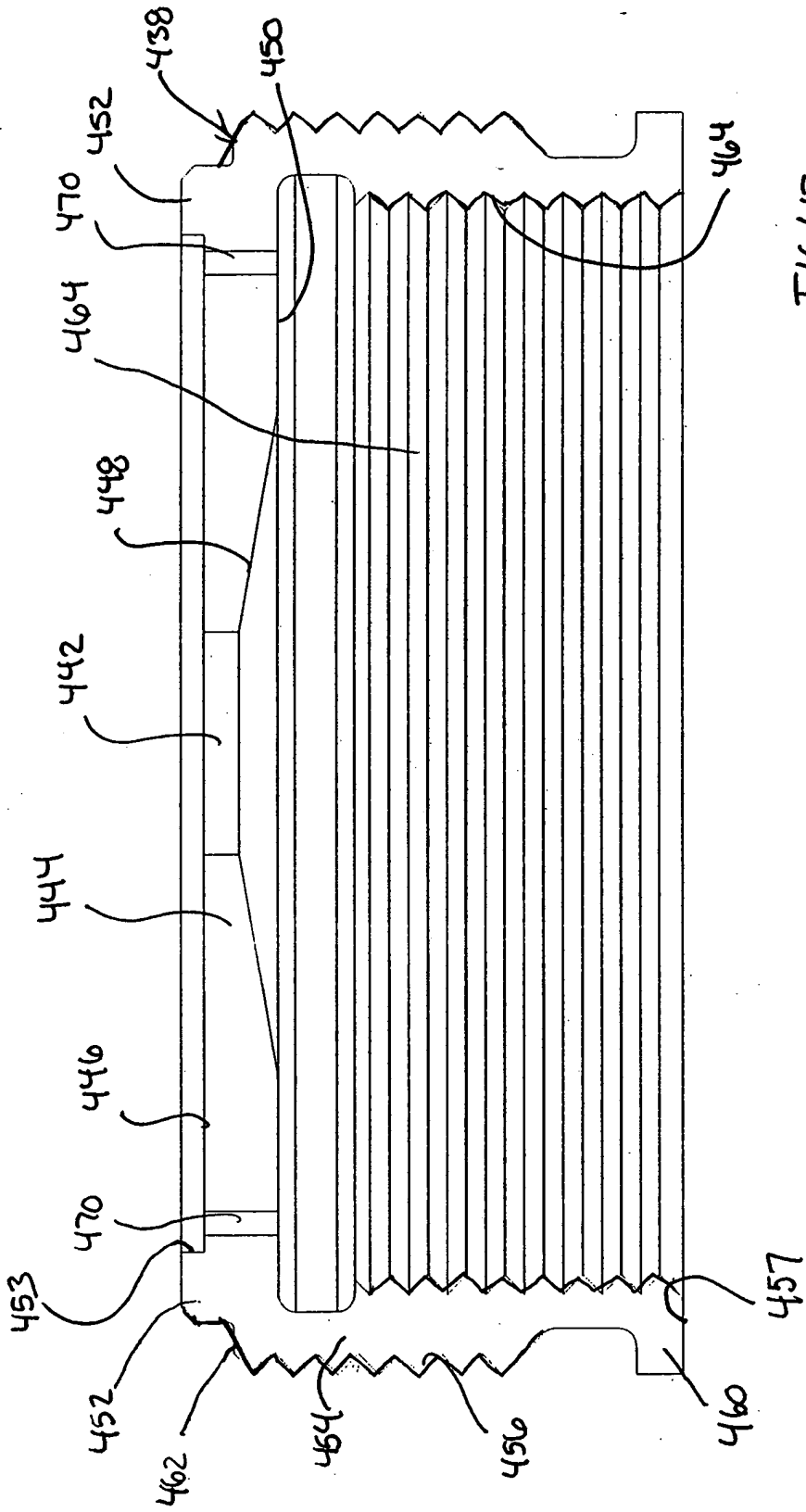


FIG. 43

FIG. 44

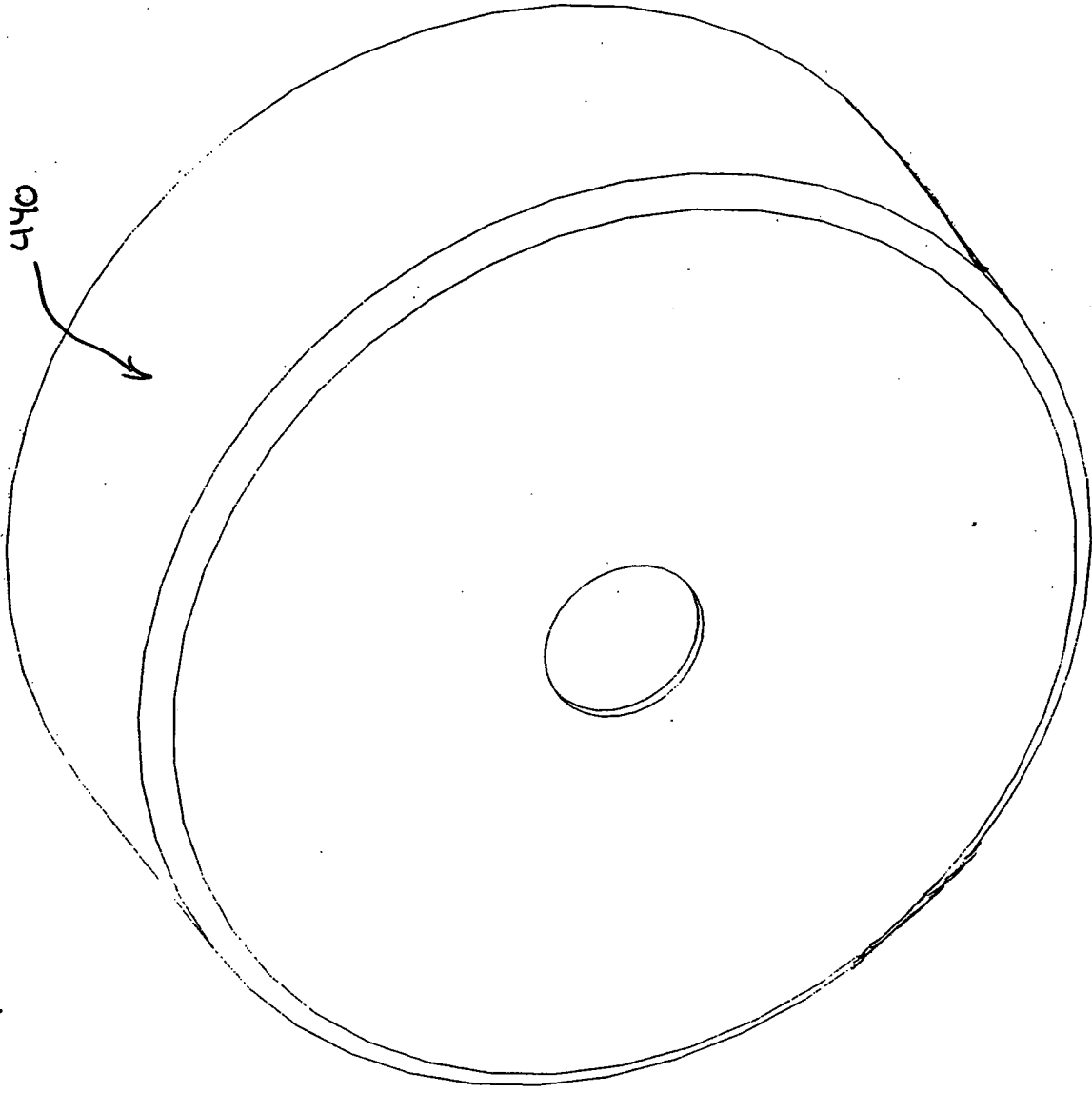


FIG. 45

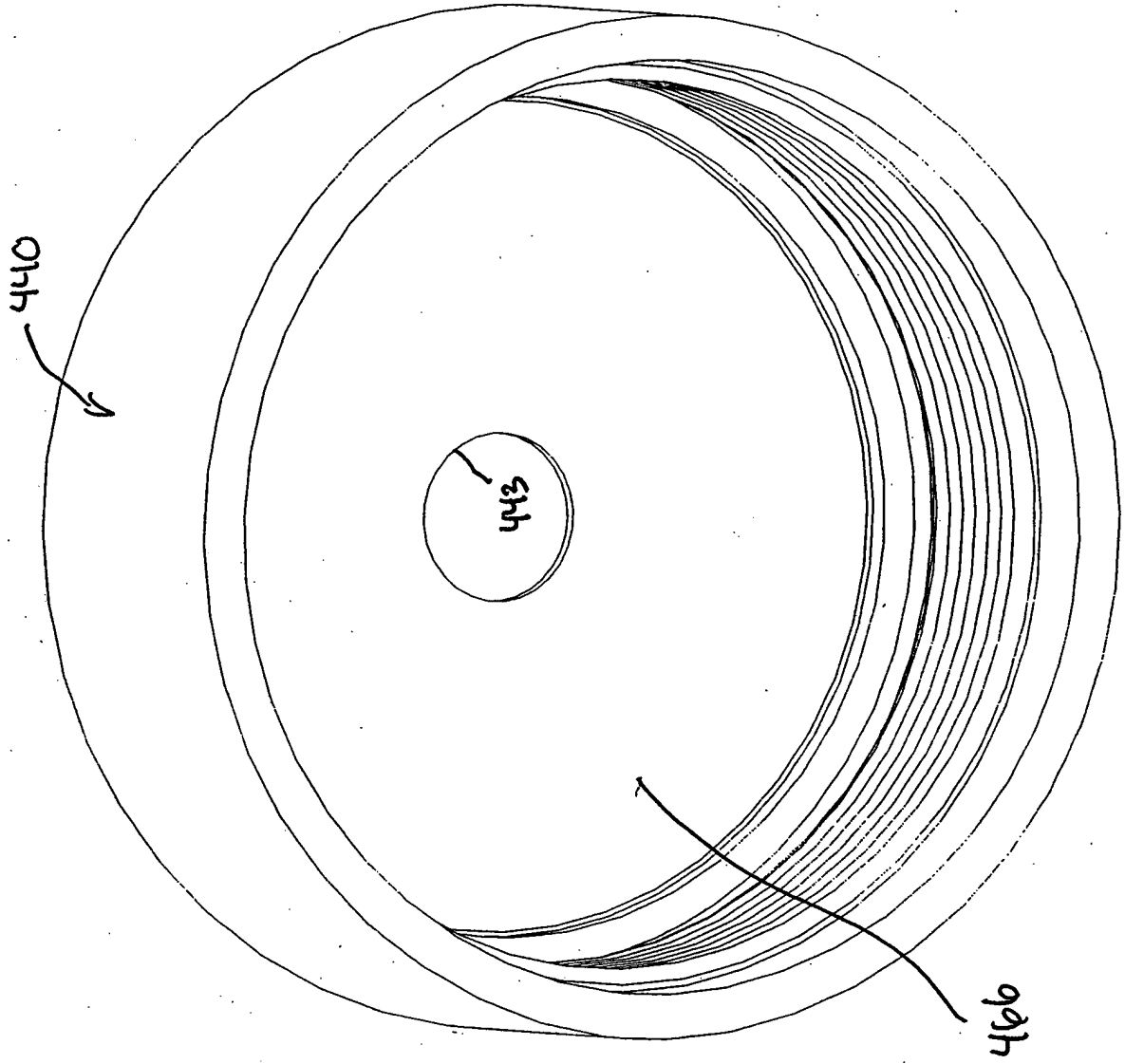
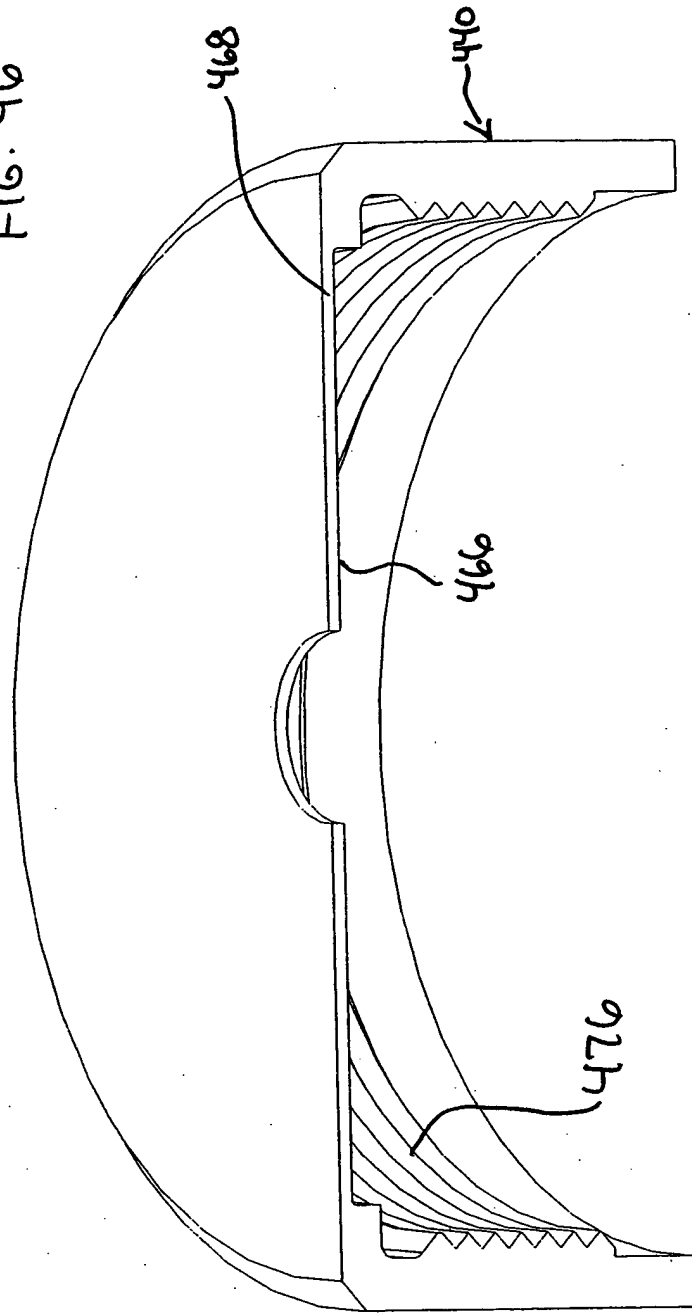


FIG. 46



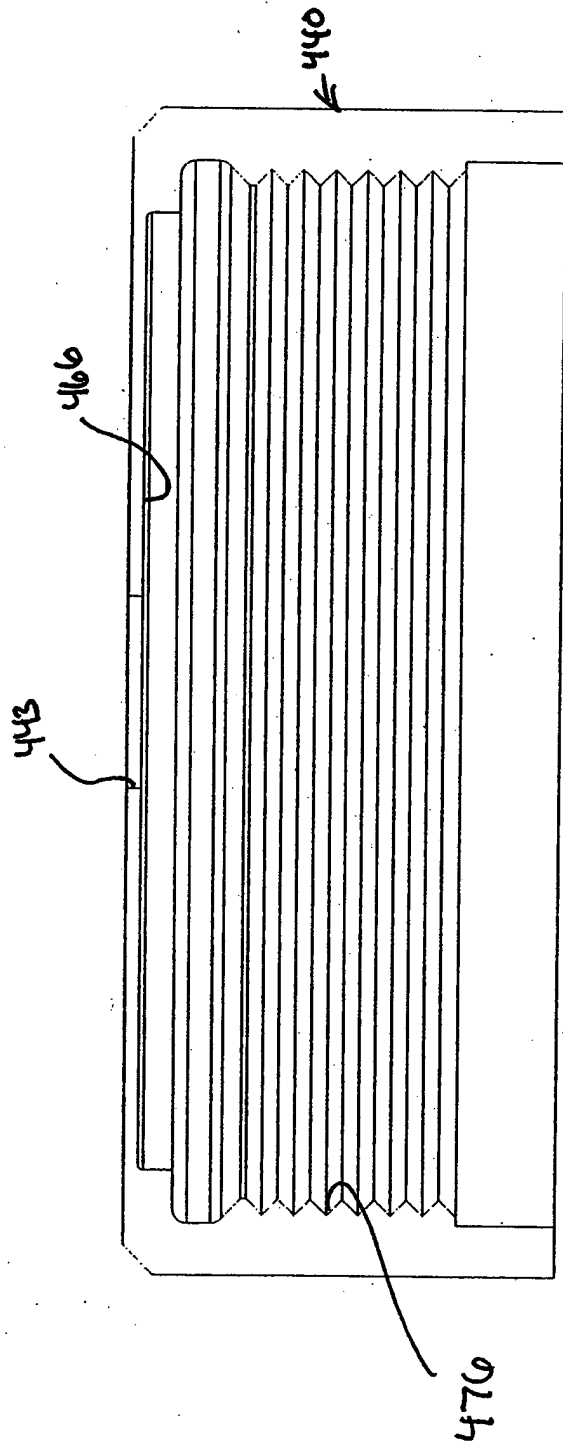
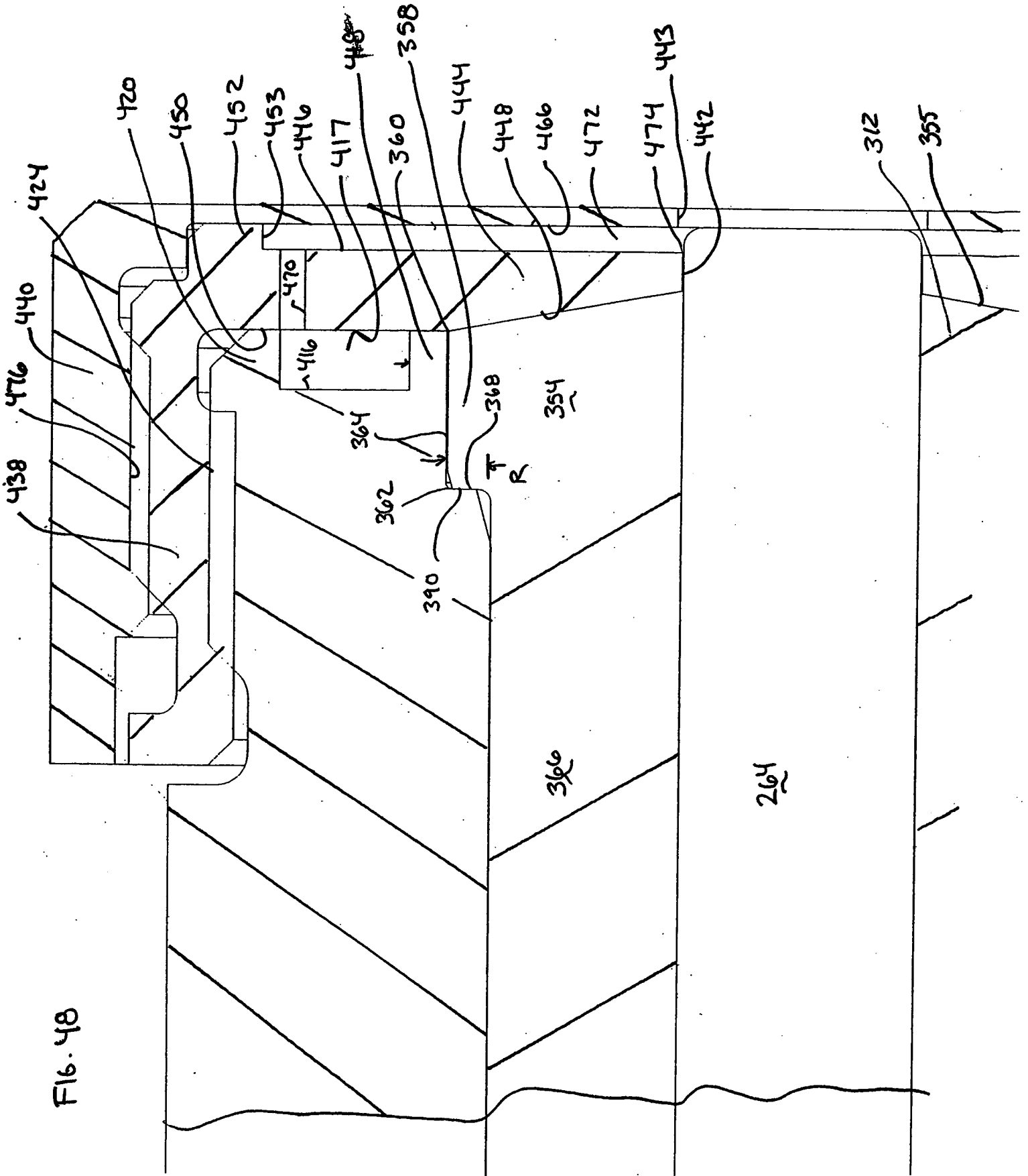
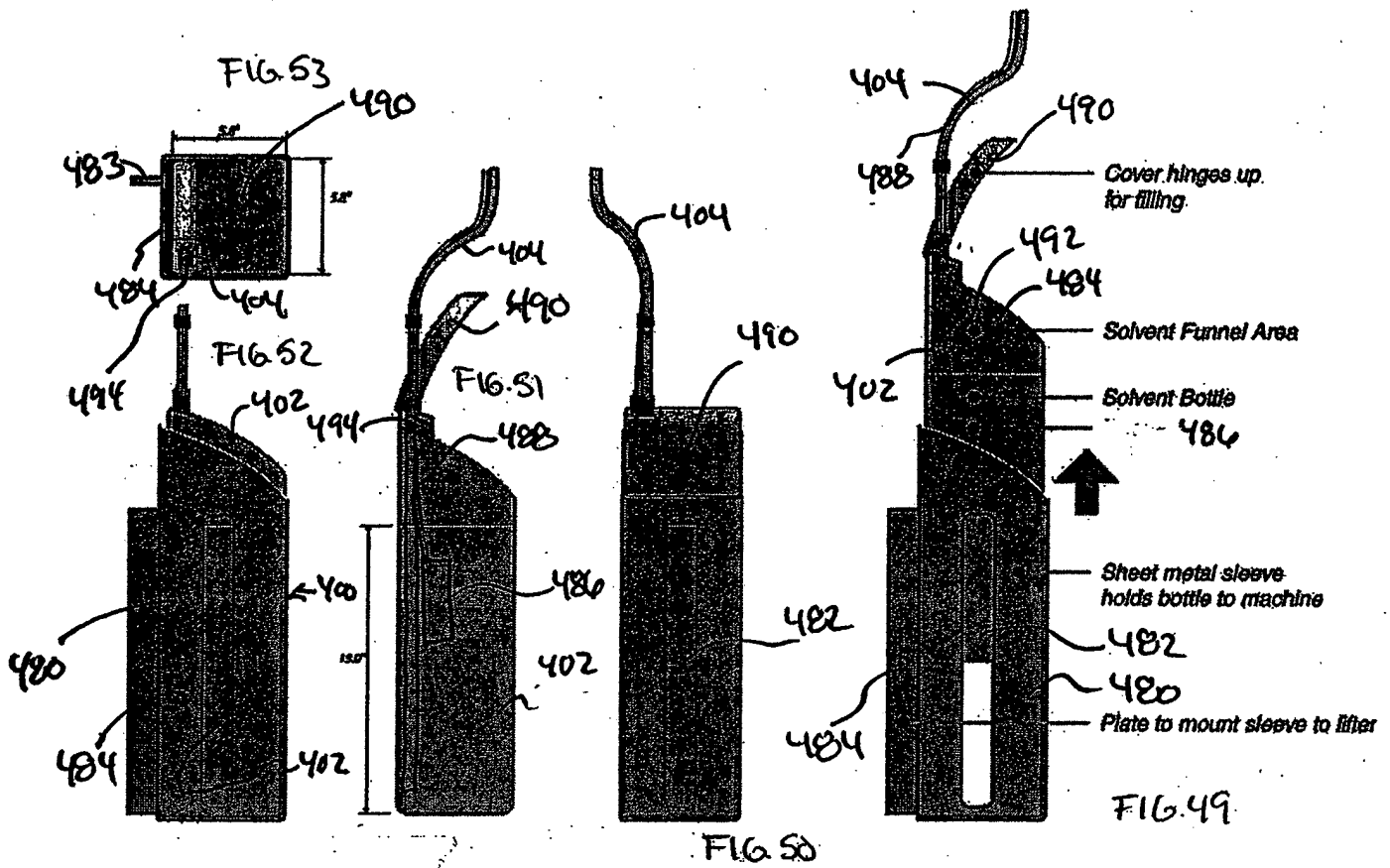


FIG. 47

FIG. 48





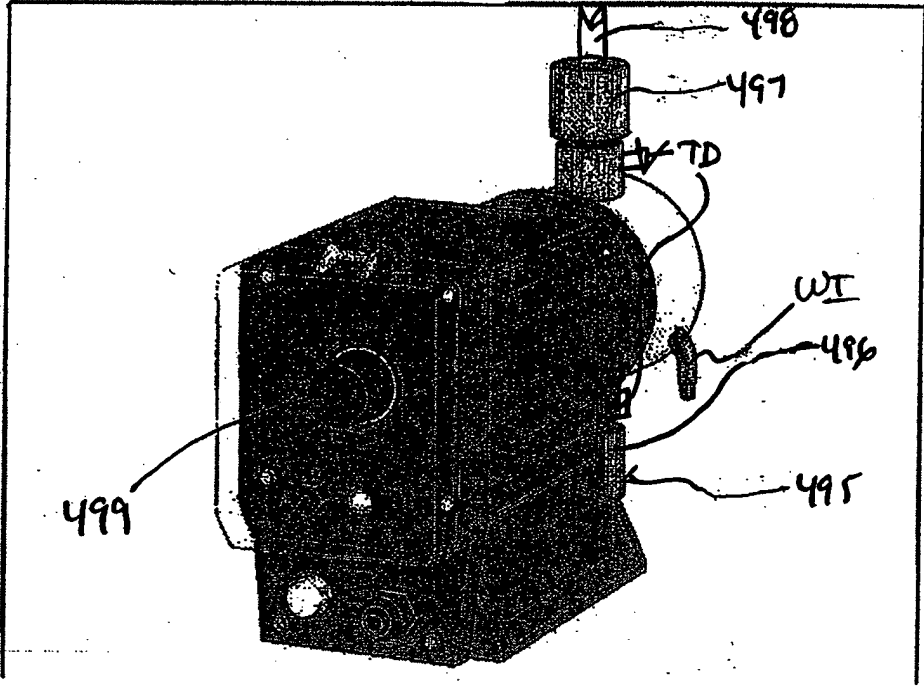


FIG. 54



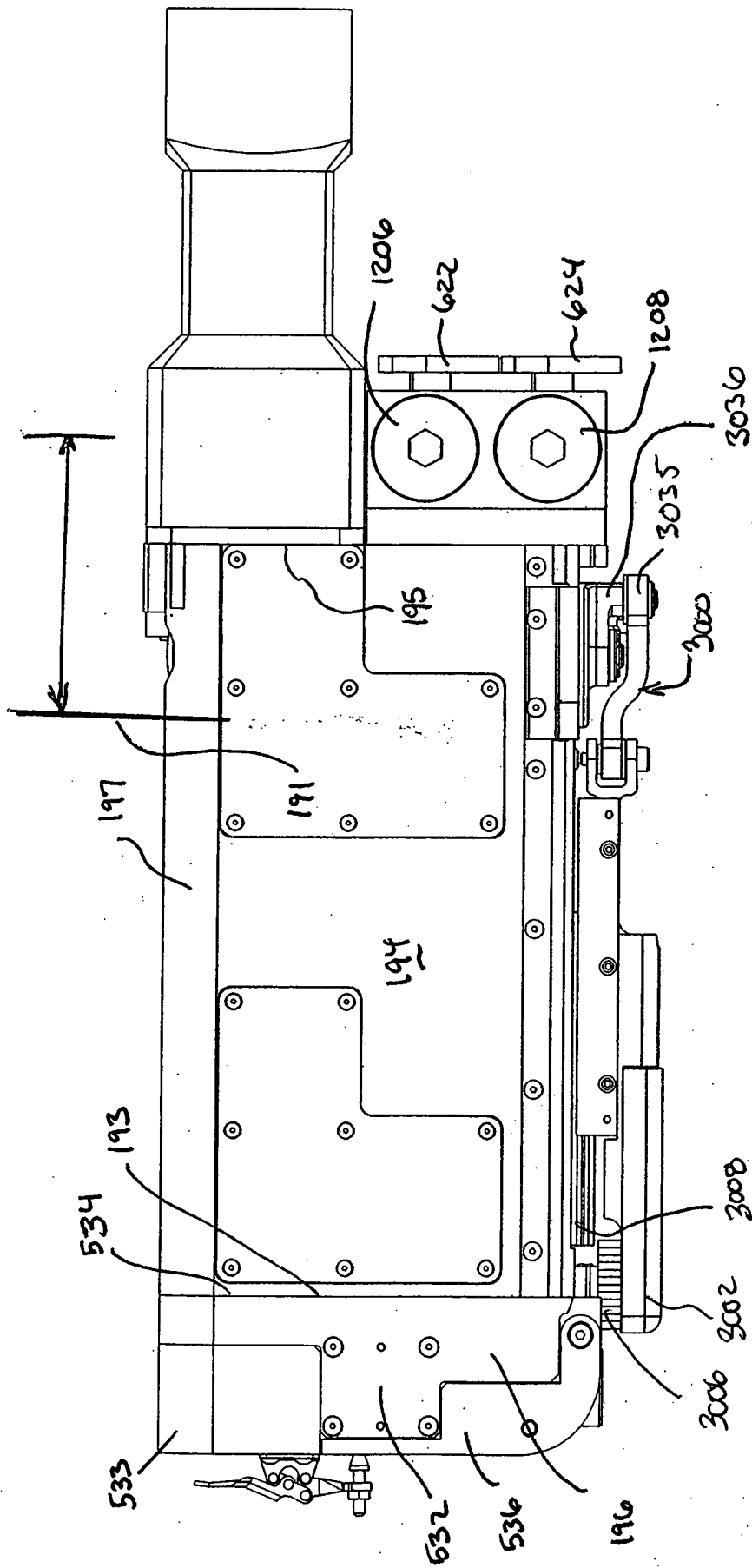


FIG. 55

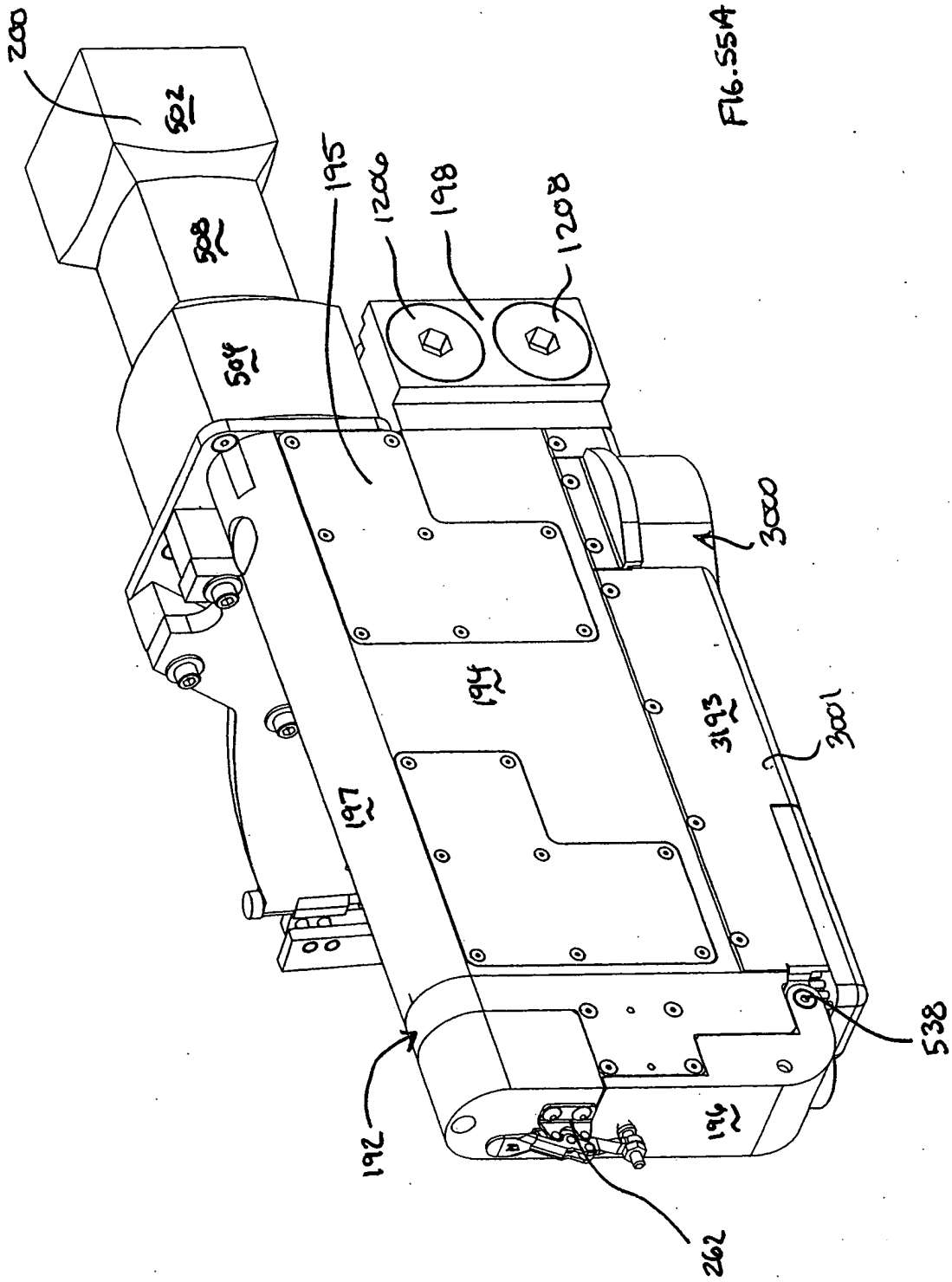
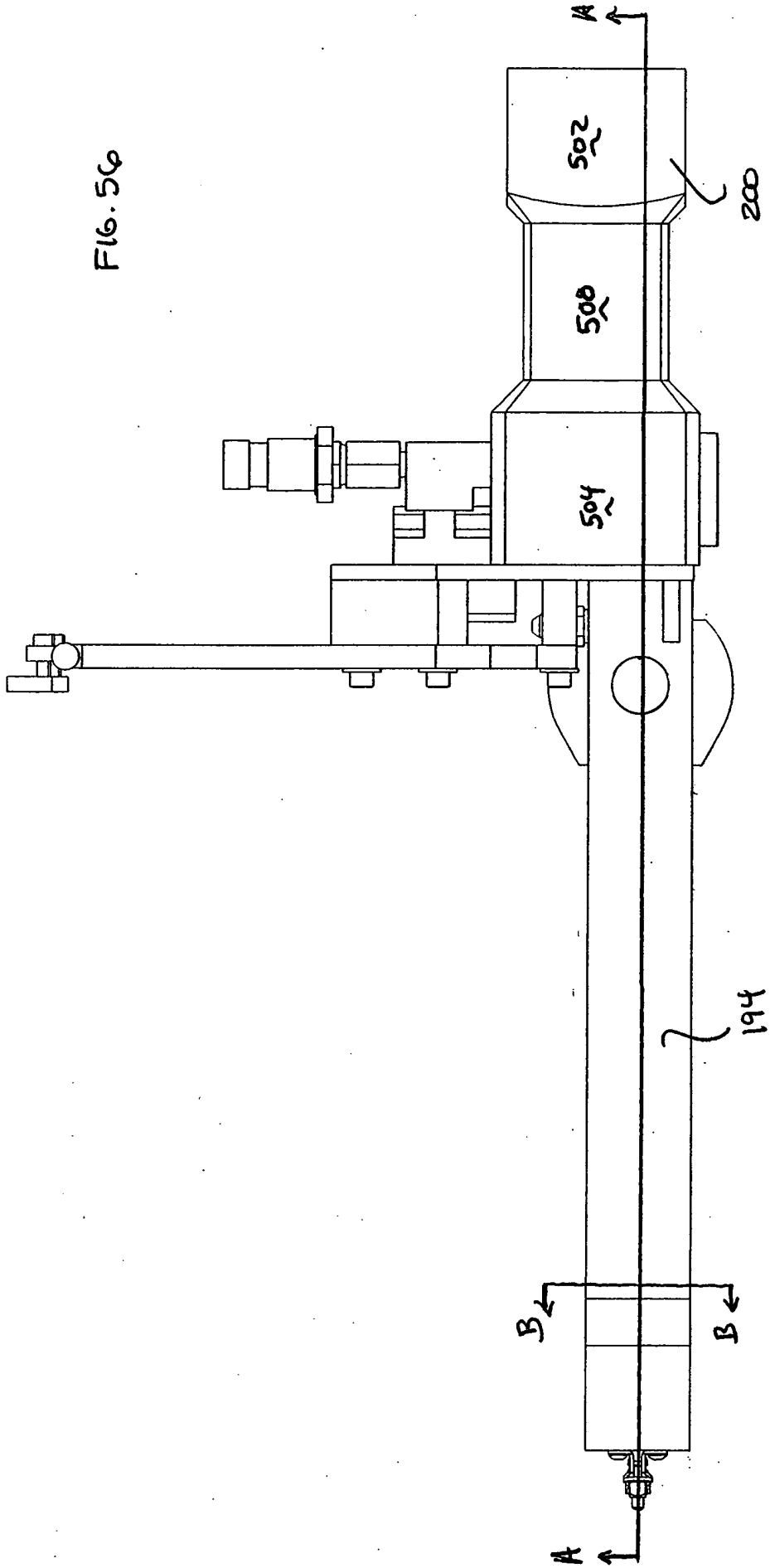


FIG. 55A

FIG. 56



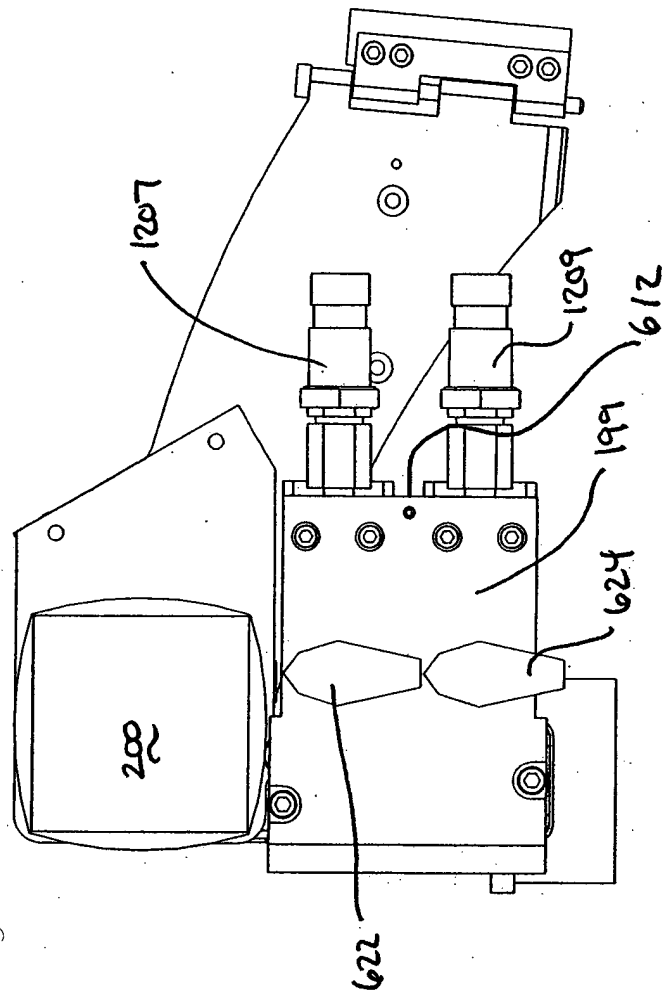


FIG. 57

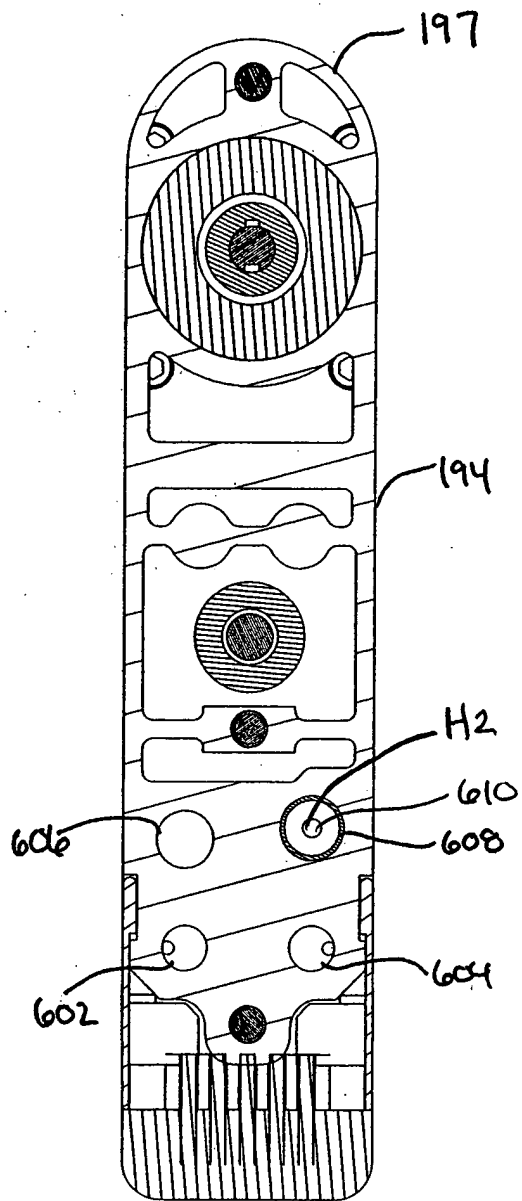


FIG. 58

FIG. 59

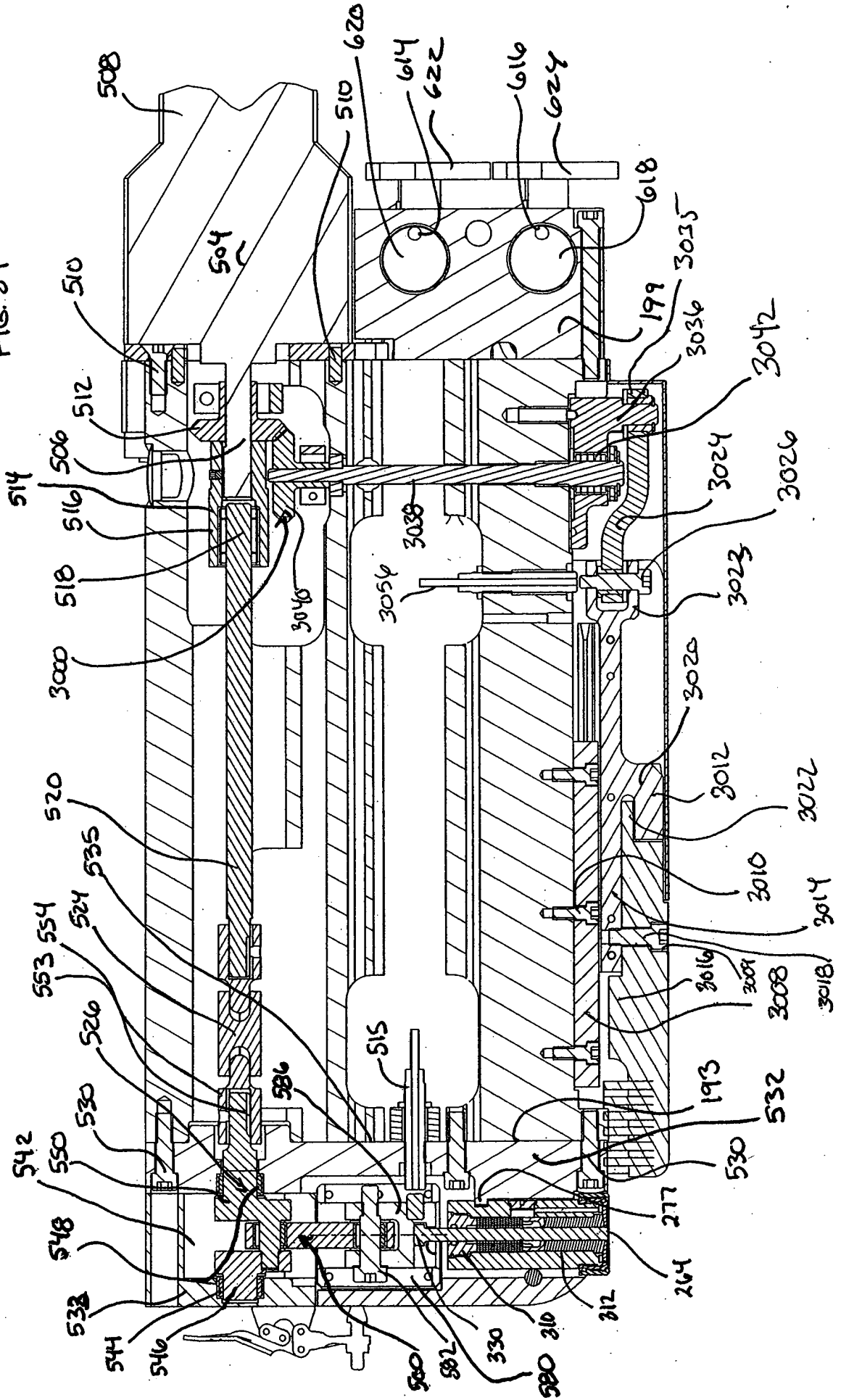


FIG. 60

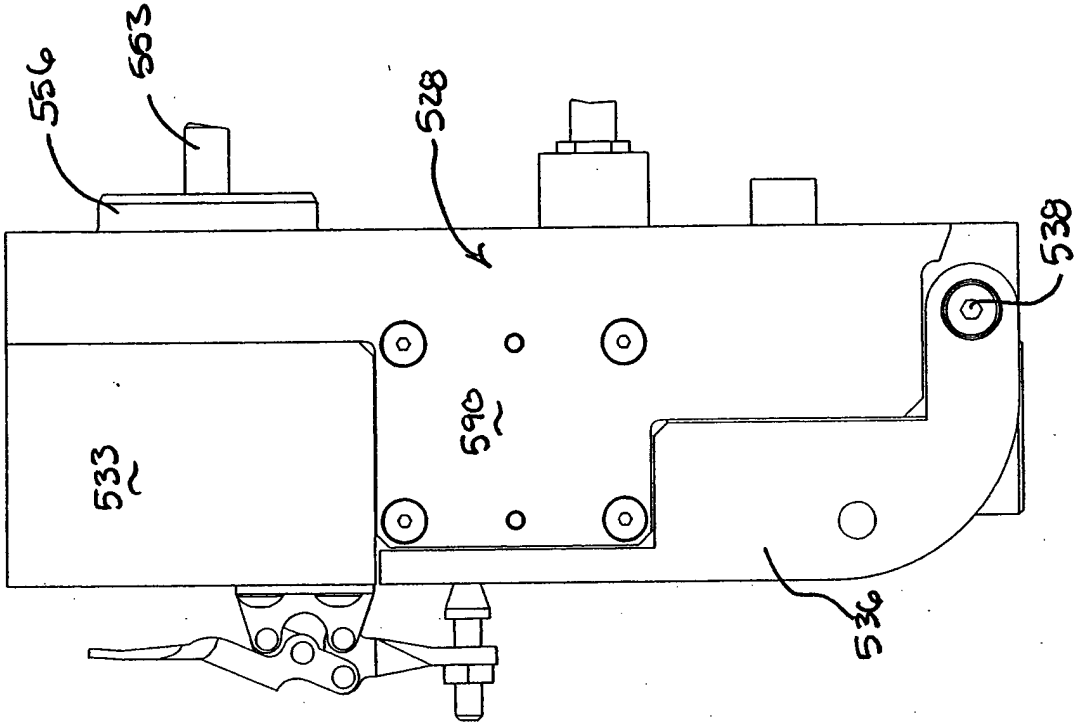


FIG. 61

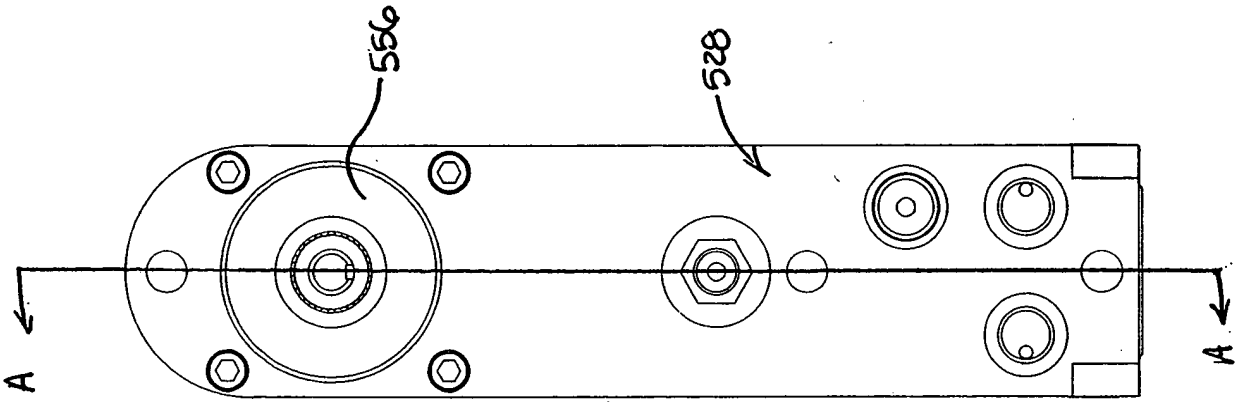




FIG. 62

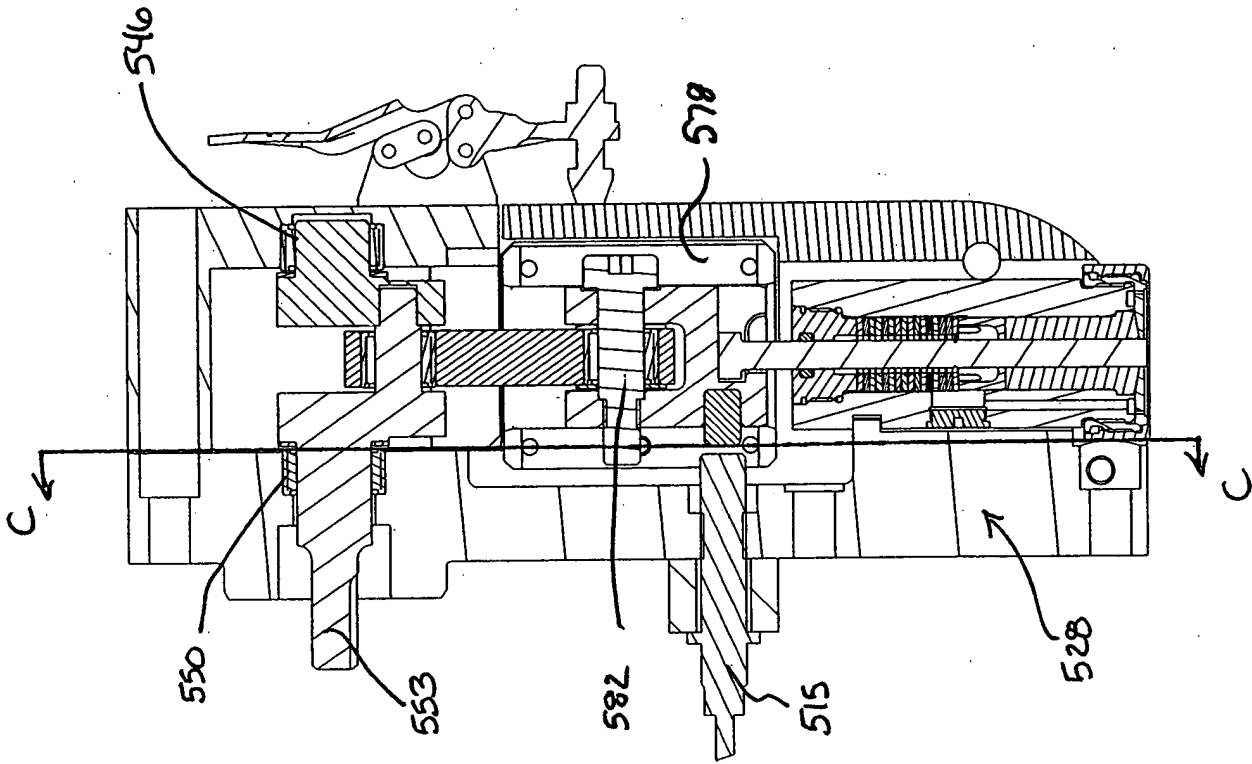
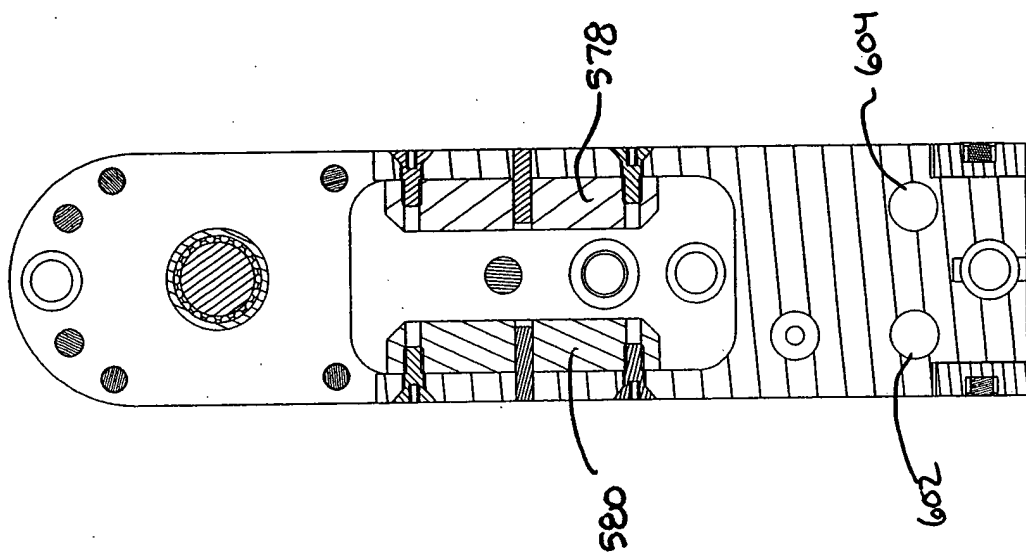


FIG. 63



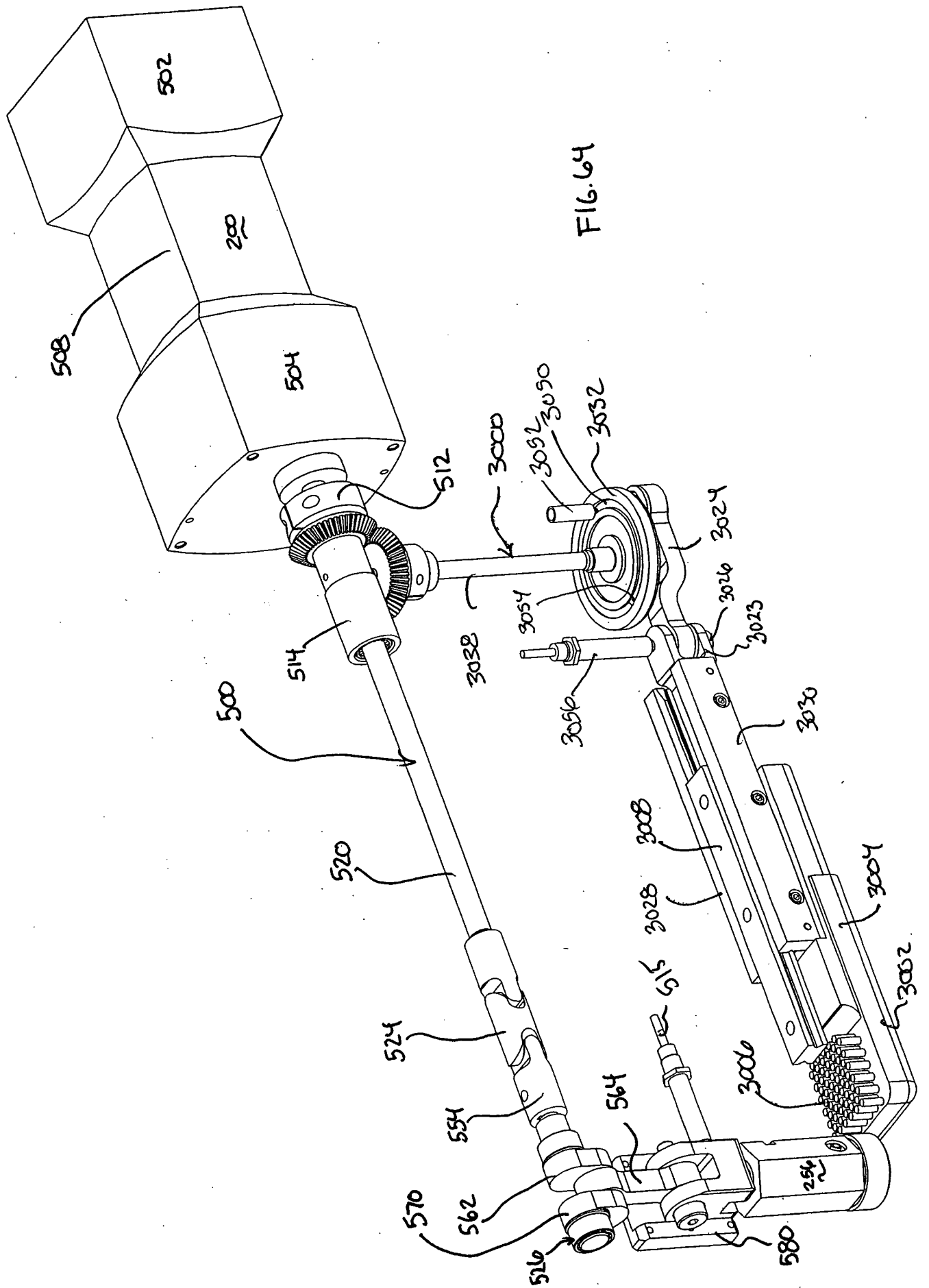
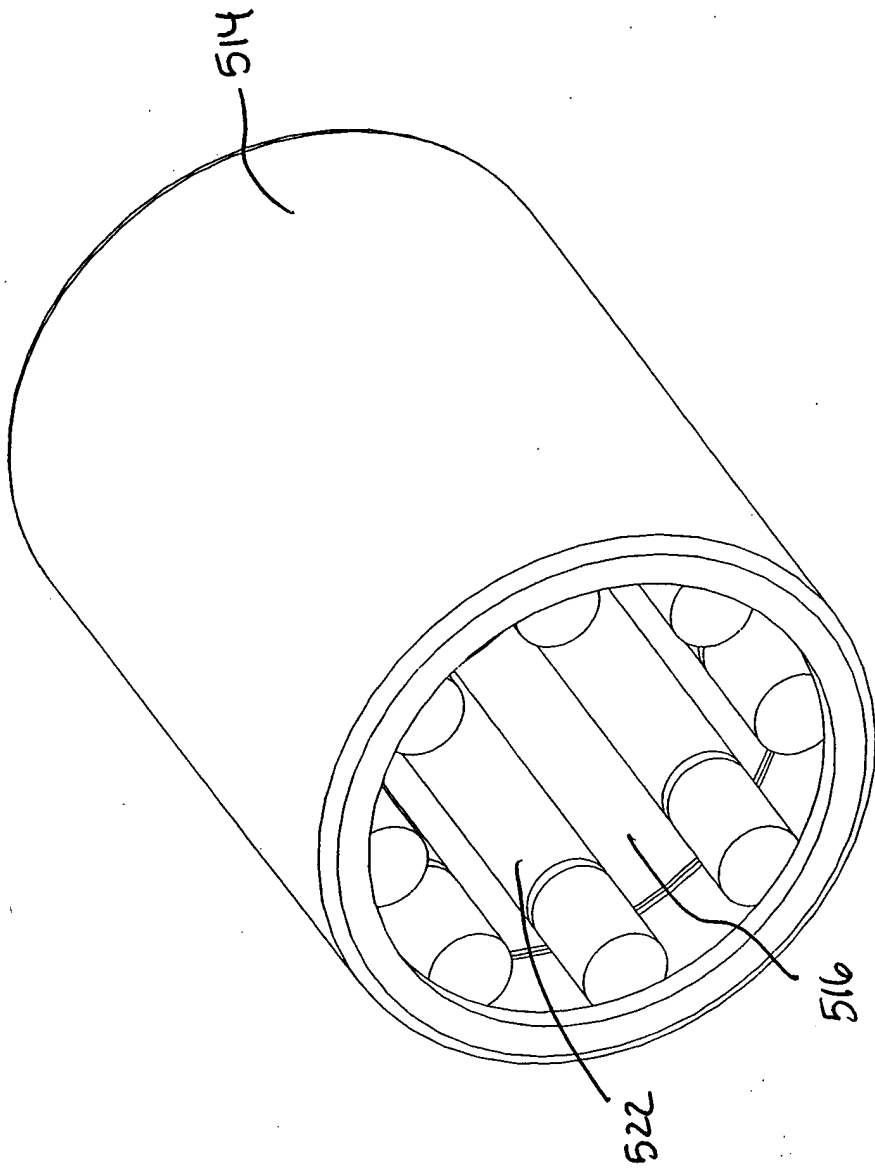


FIG. 64

FIG. 65



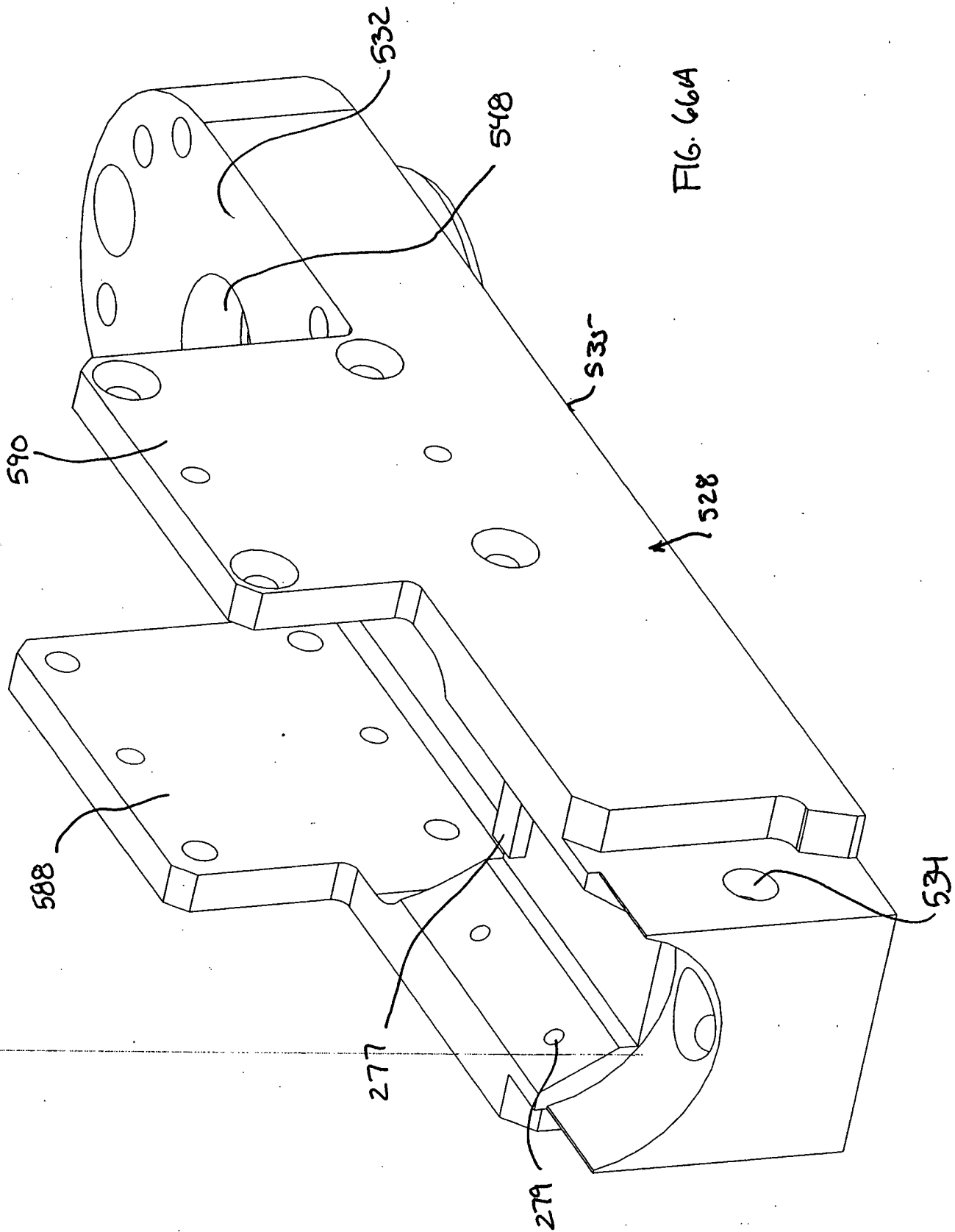
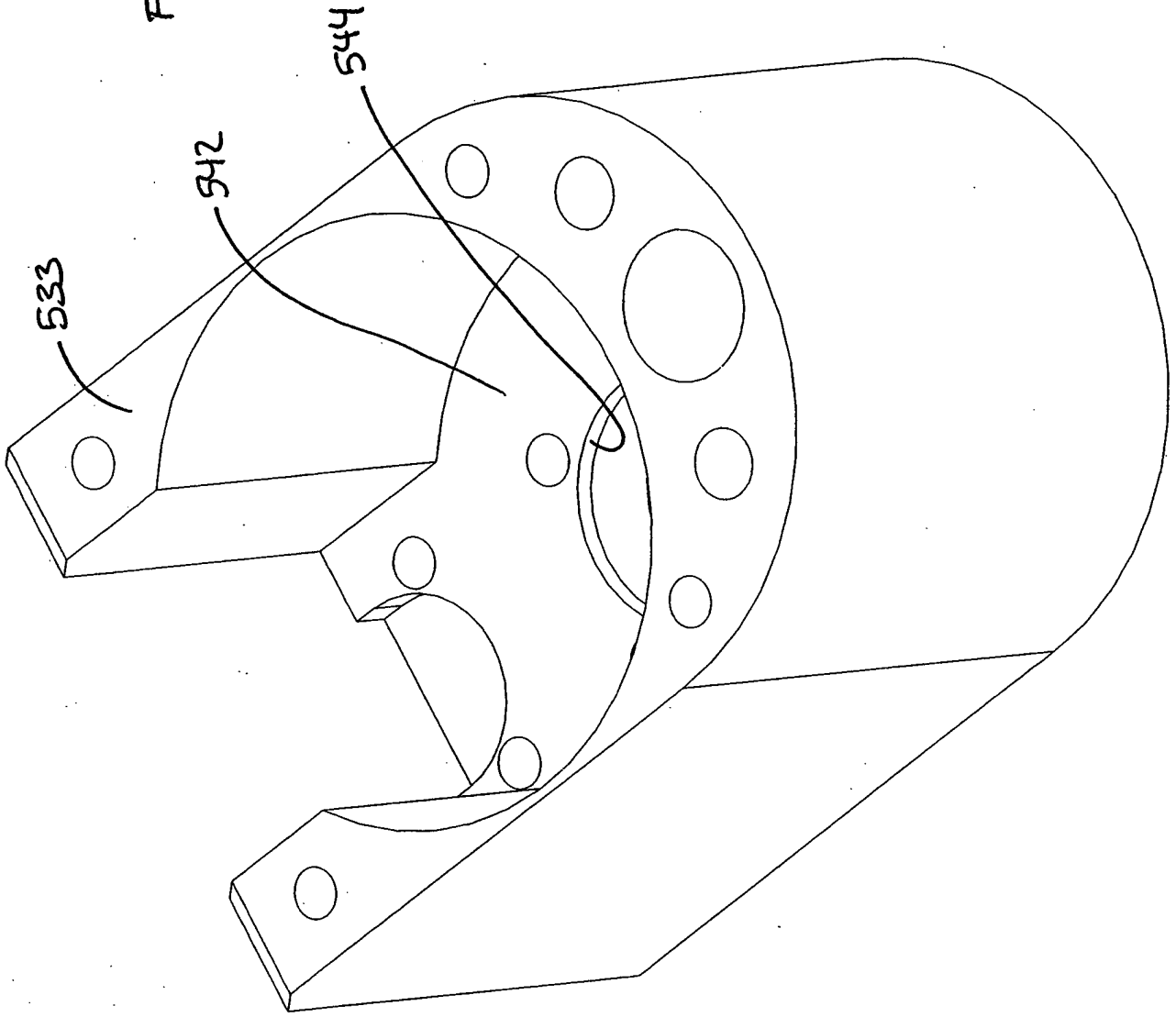


FIG. 66A

FIG. 66B



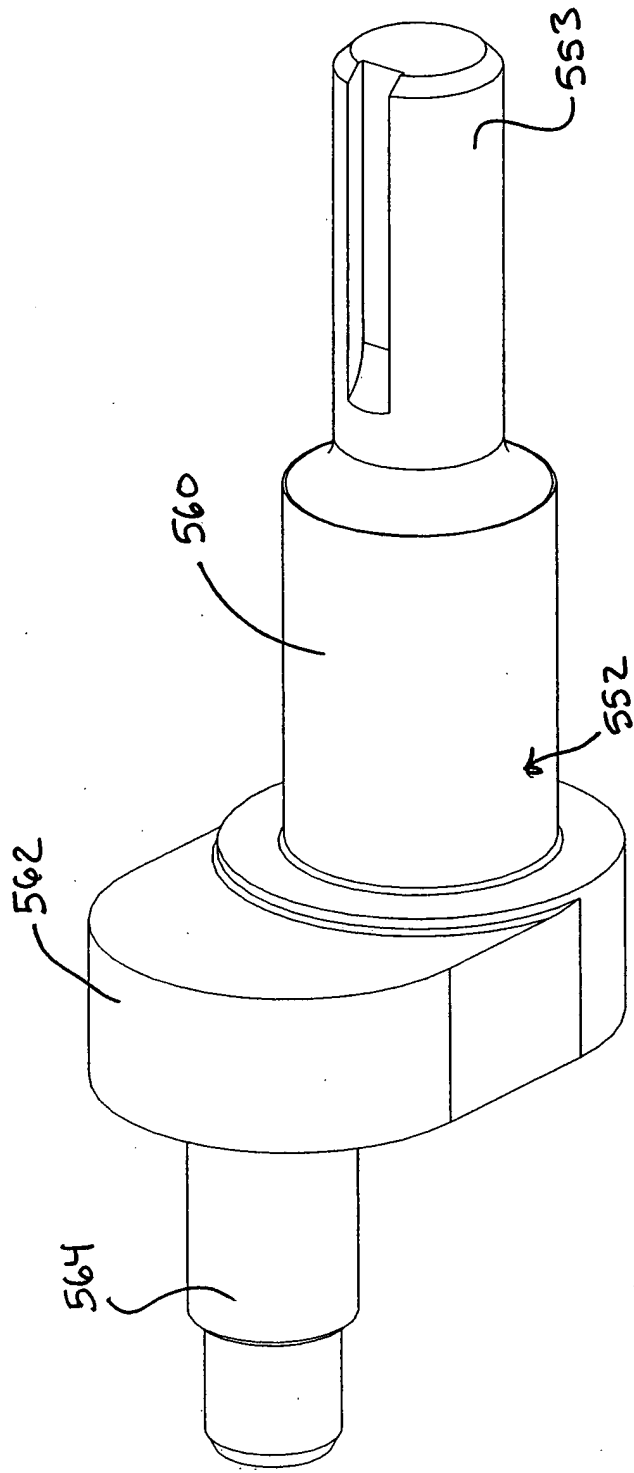
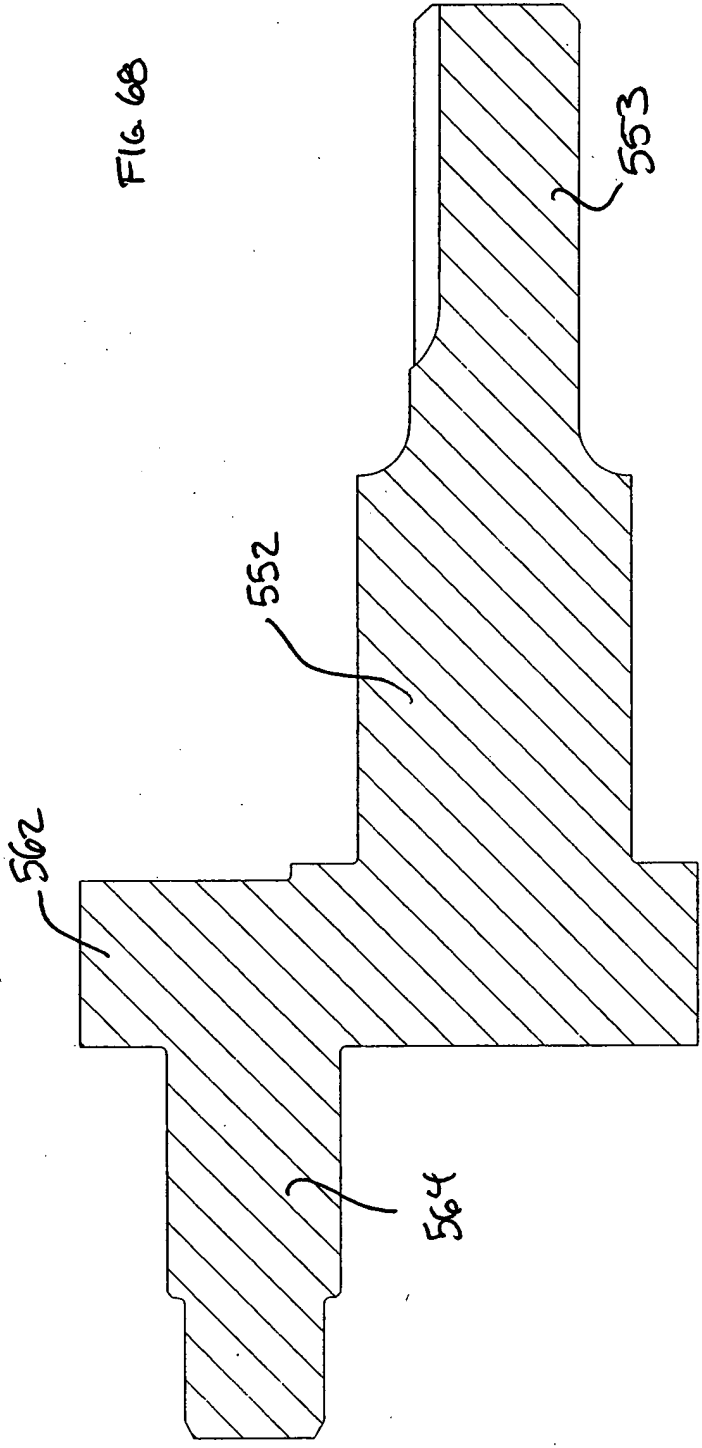


FIG. 67

FIG. 68





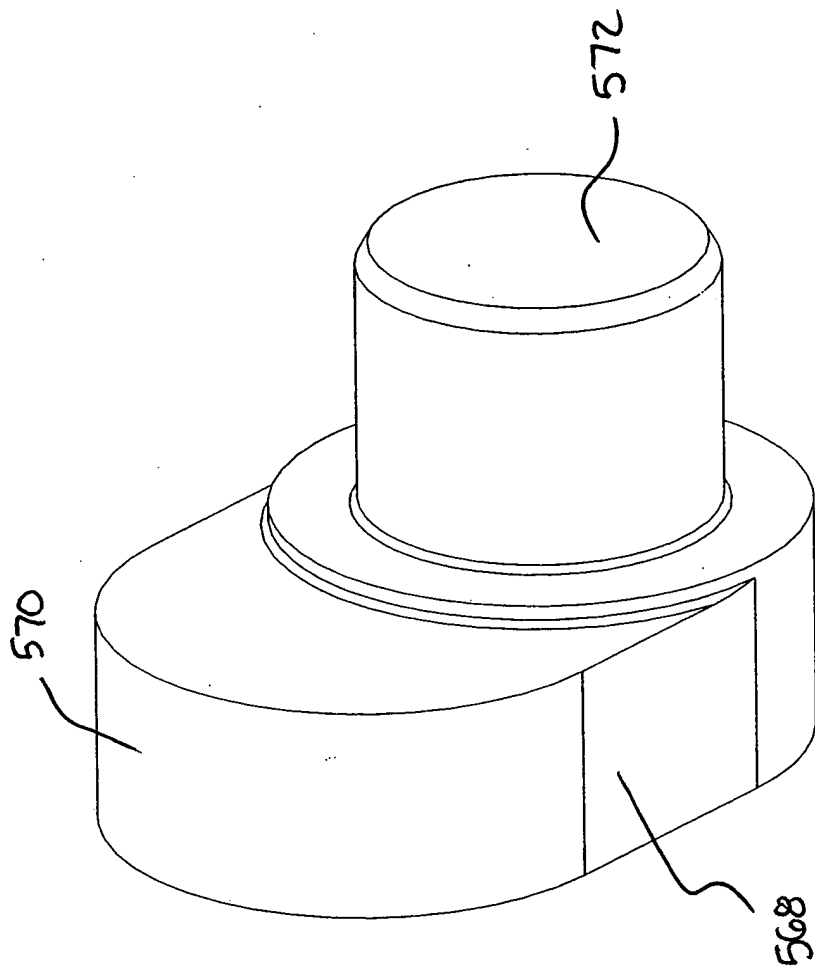


FIG. 69

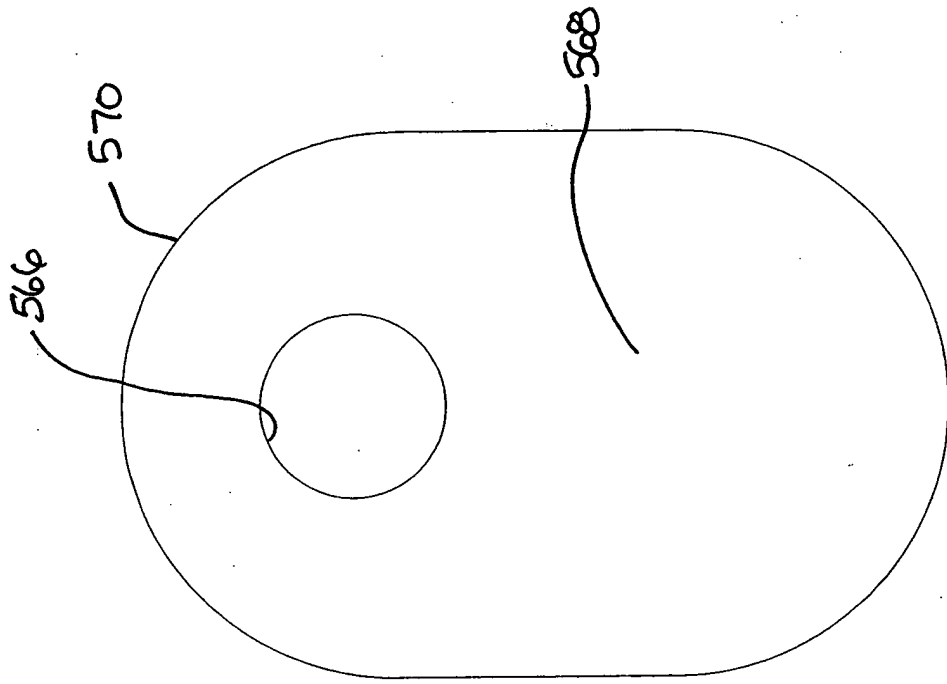


FIG. 70

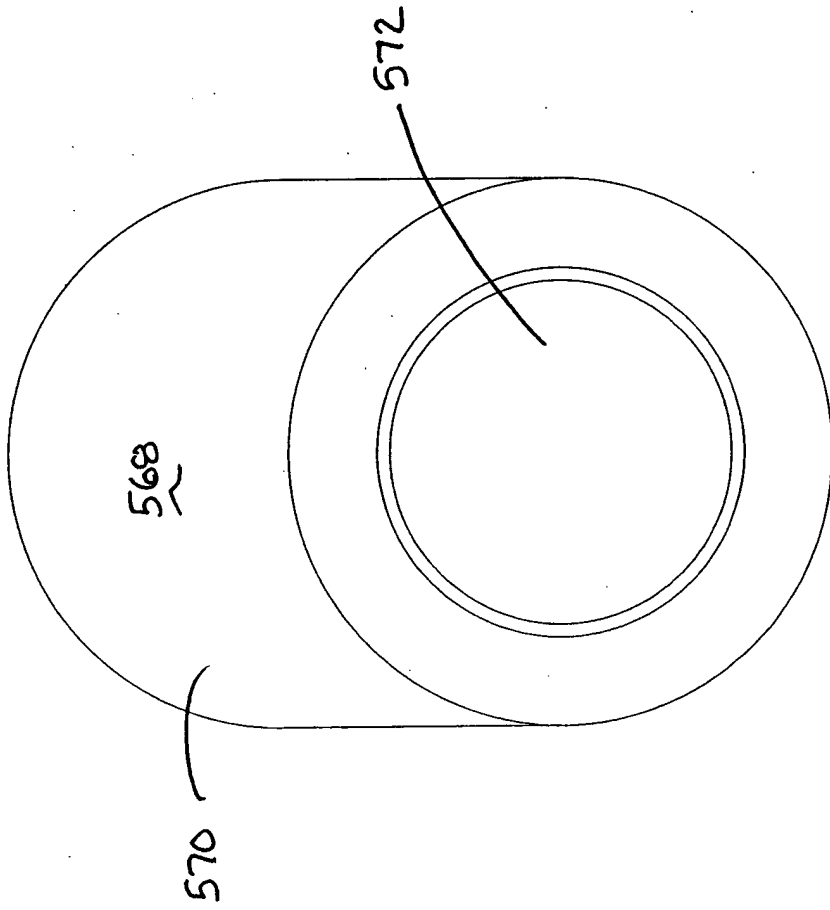


FIG. 71

FIG. 72

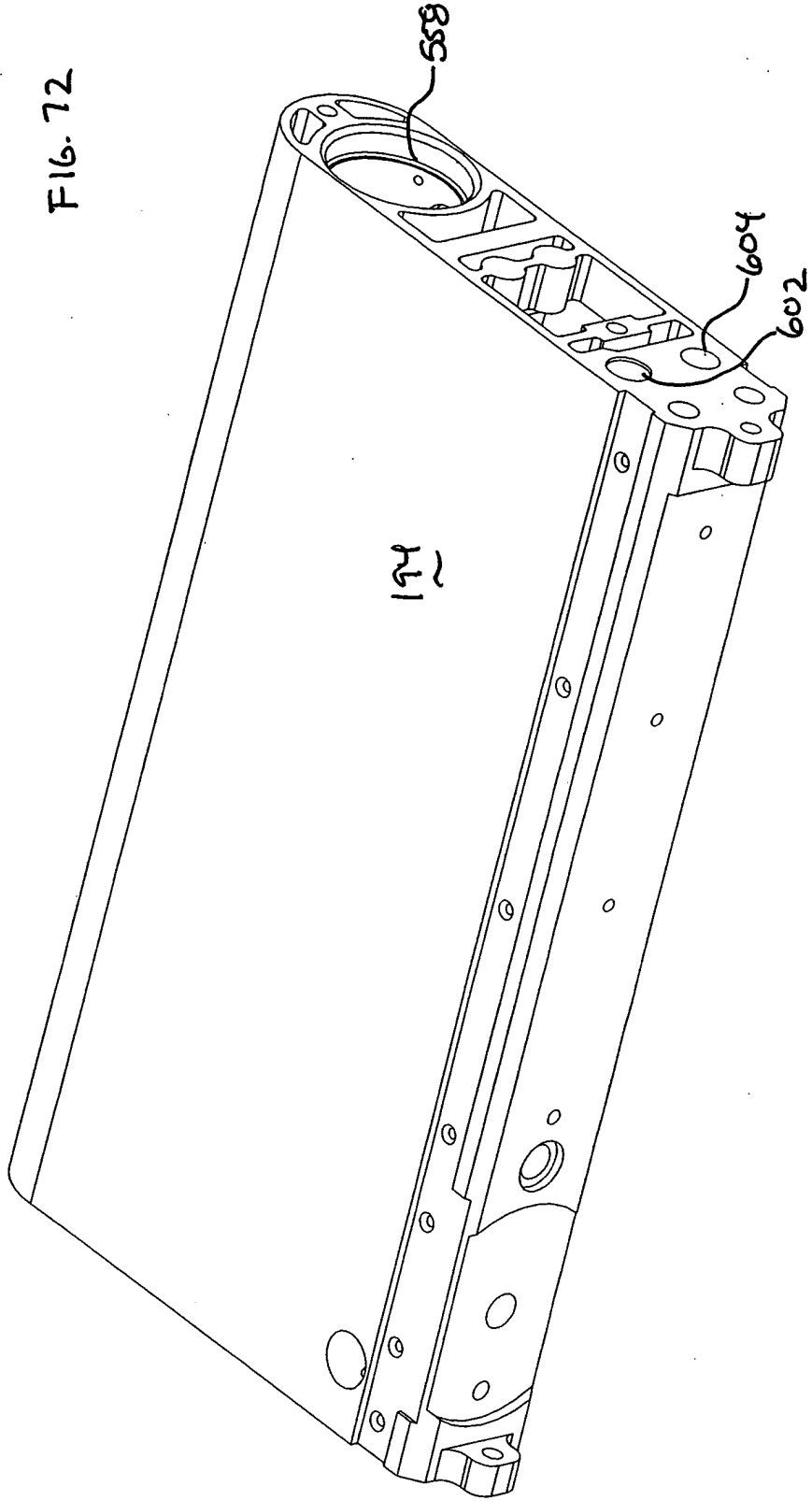
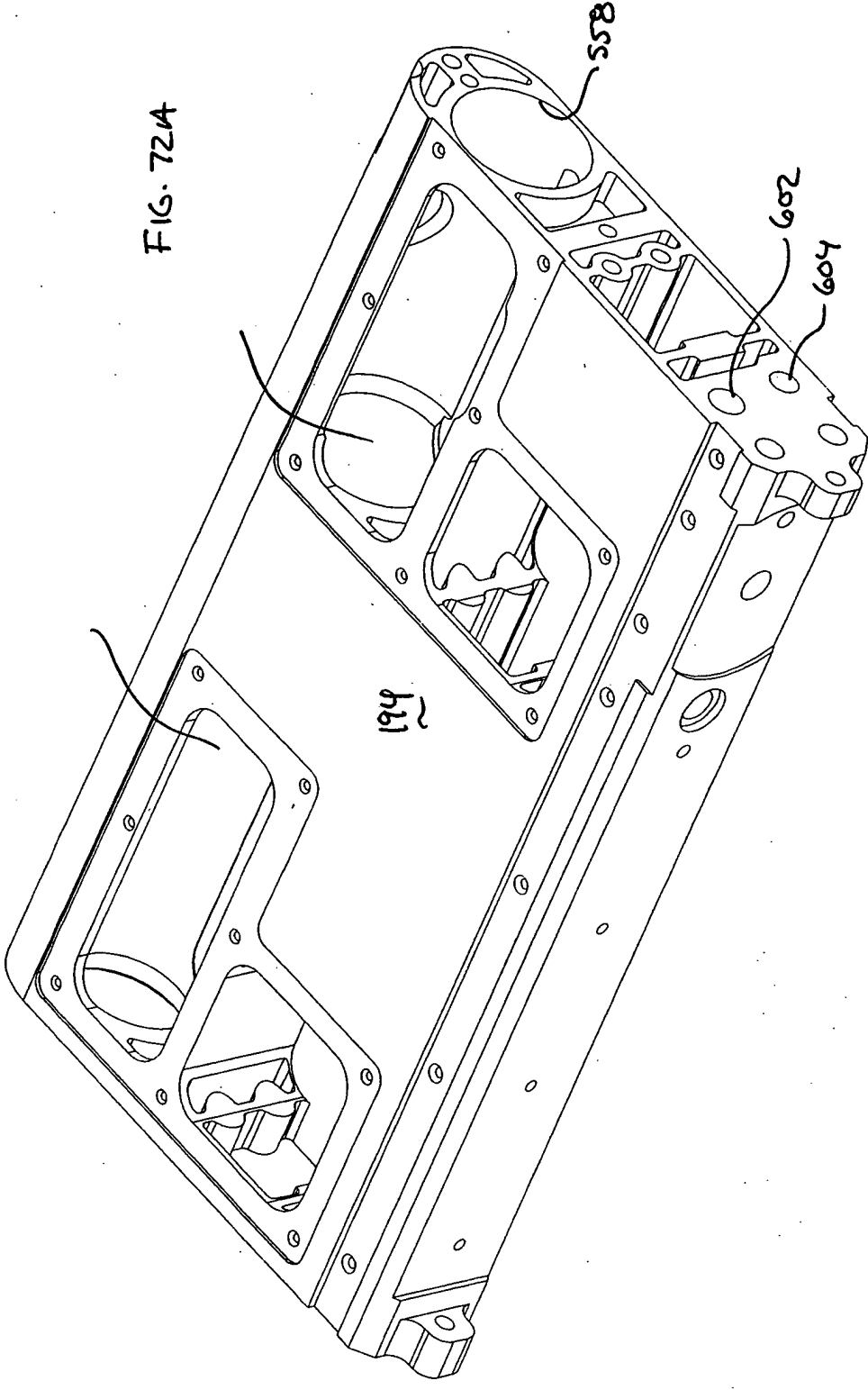


FIG. 72A



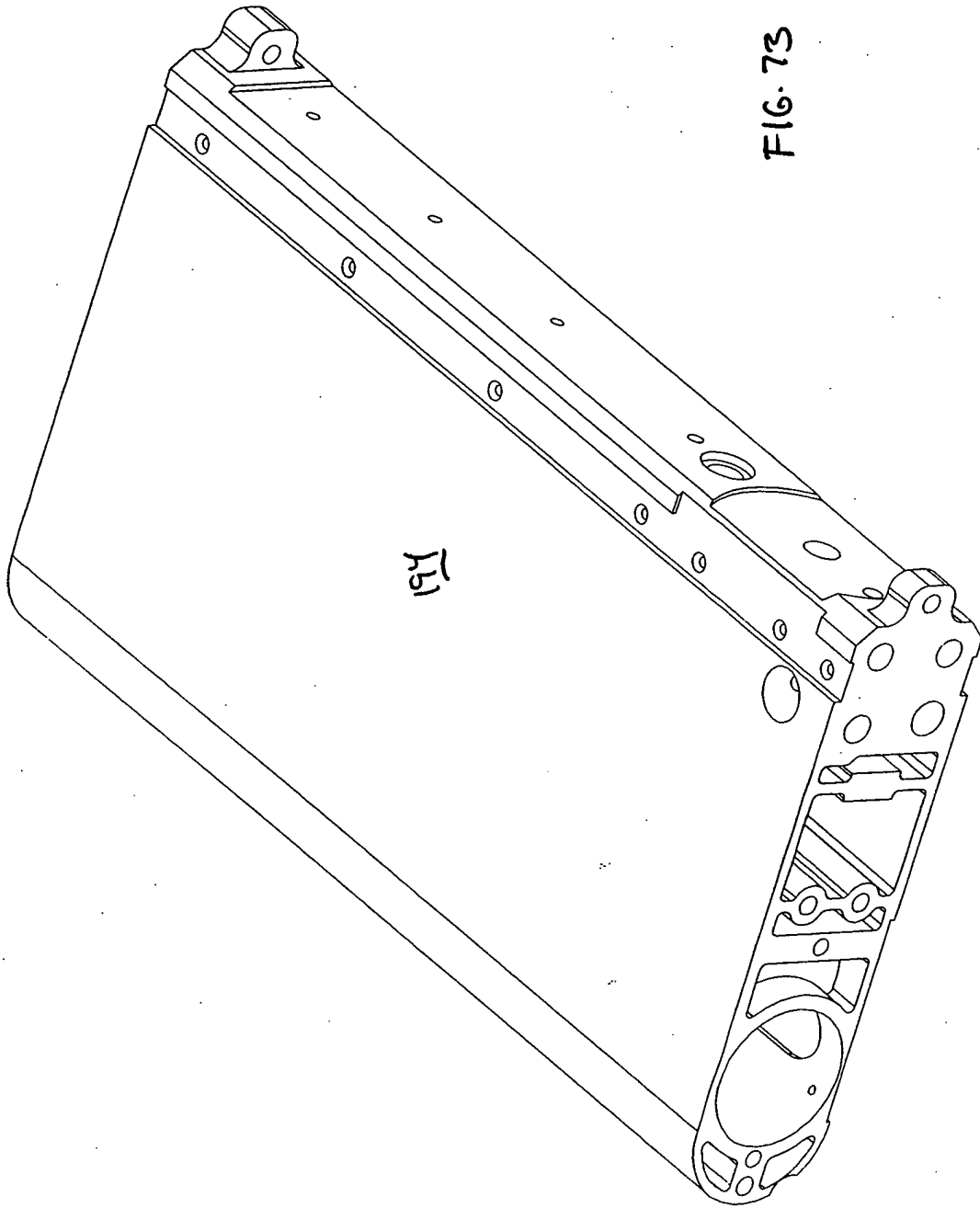


FIG. 73

151

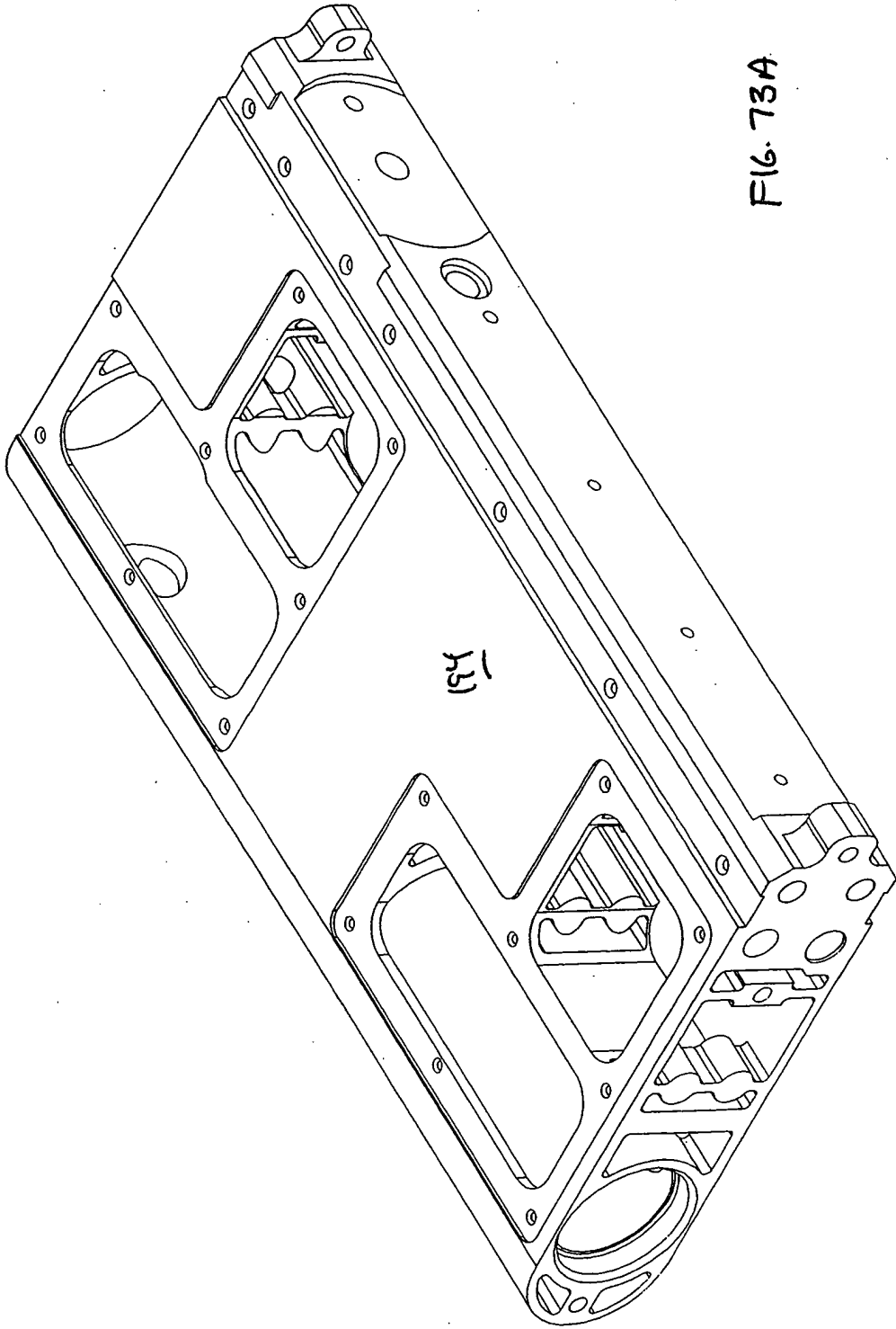


FIG. 73A

154

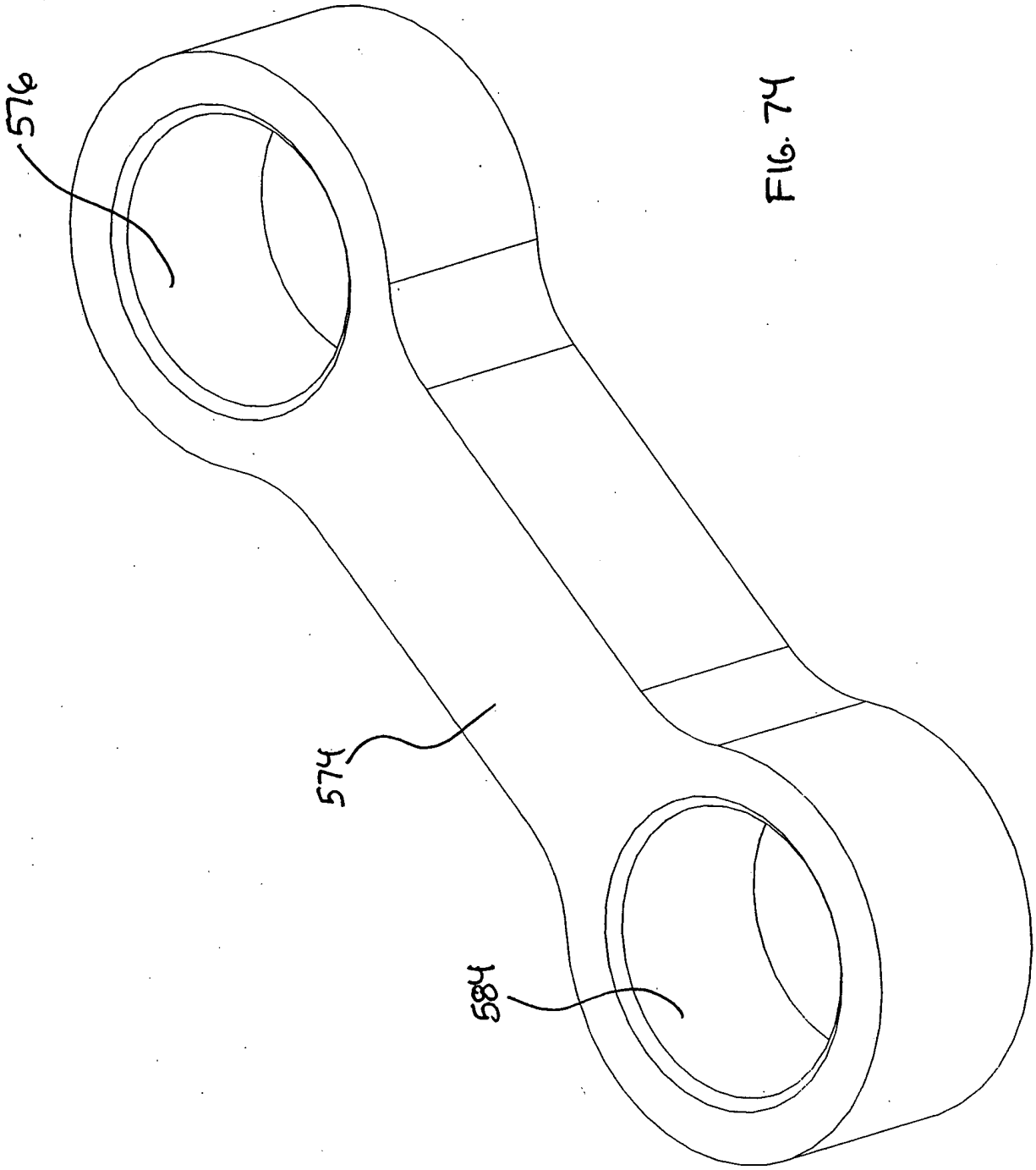
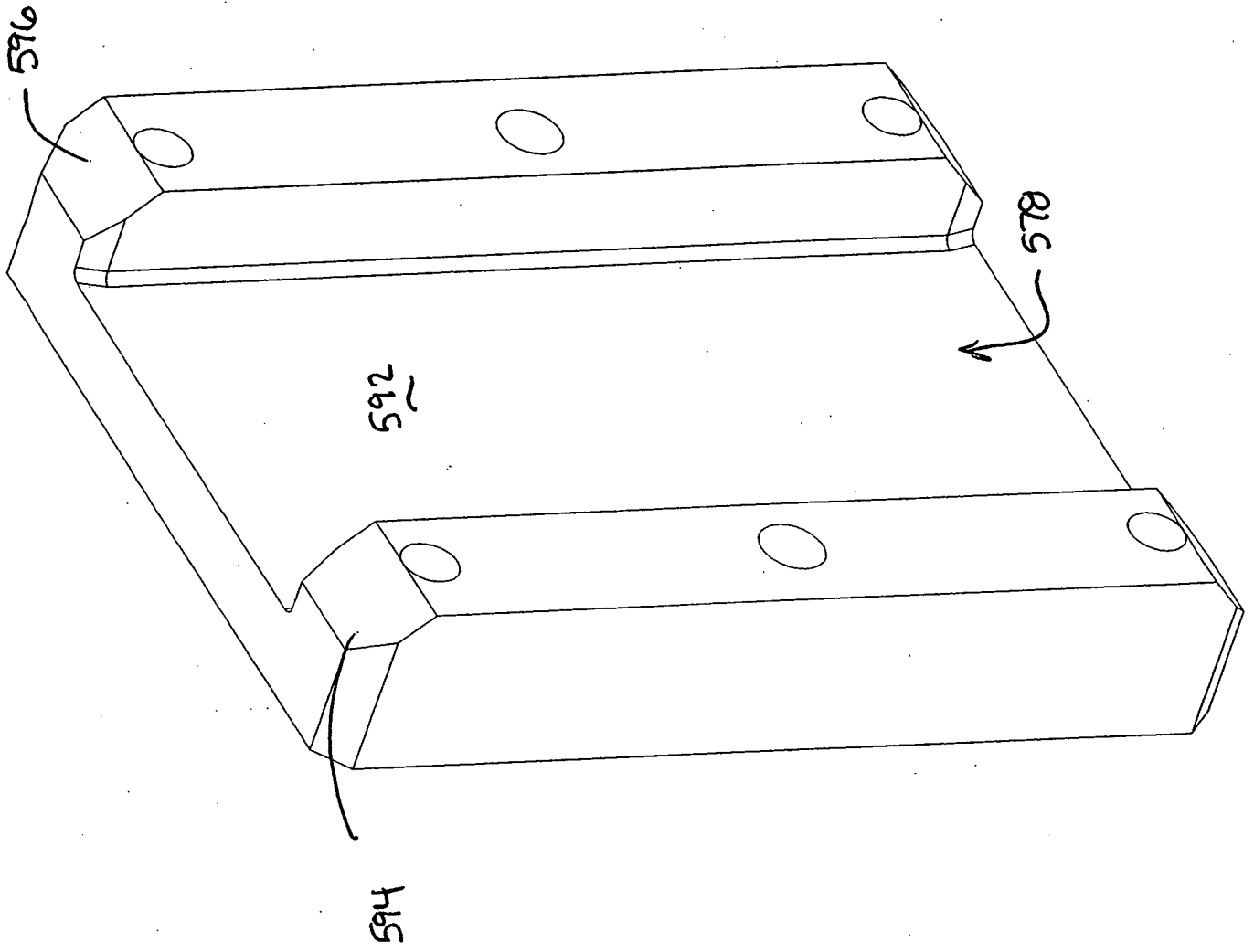


FIG. 74



FIG 75



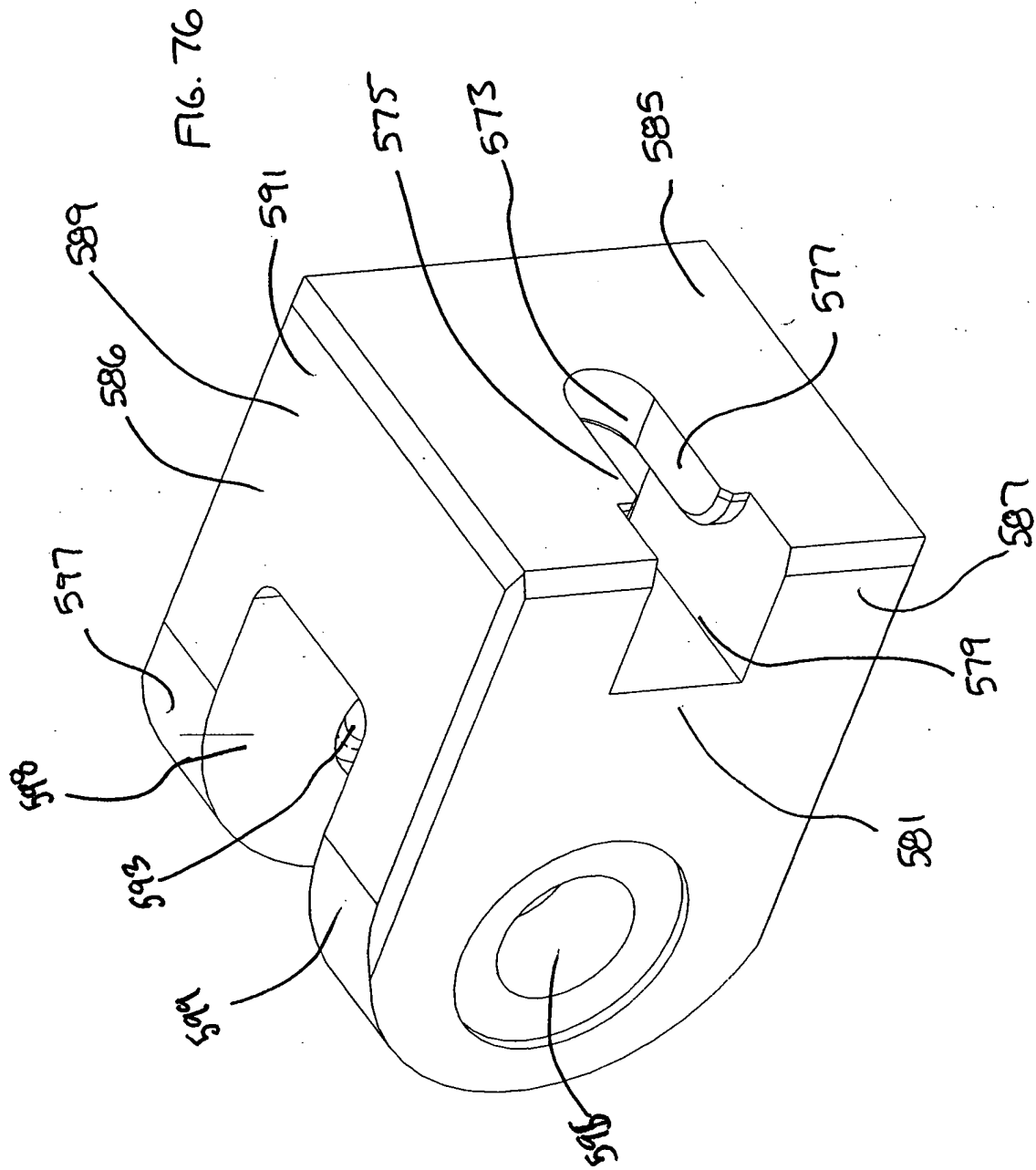


FIG. 77

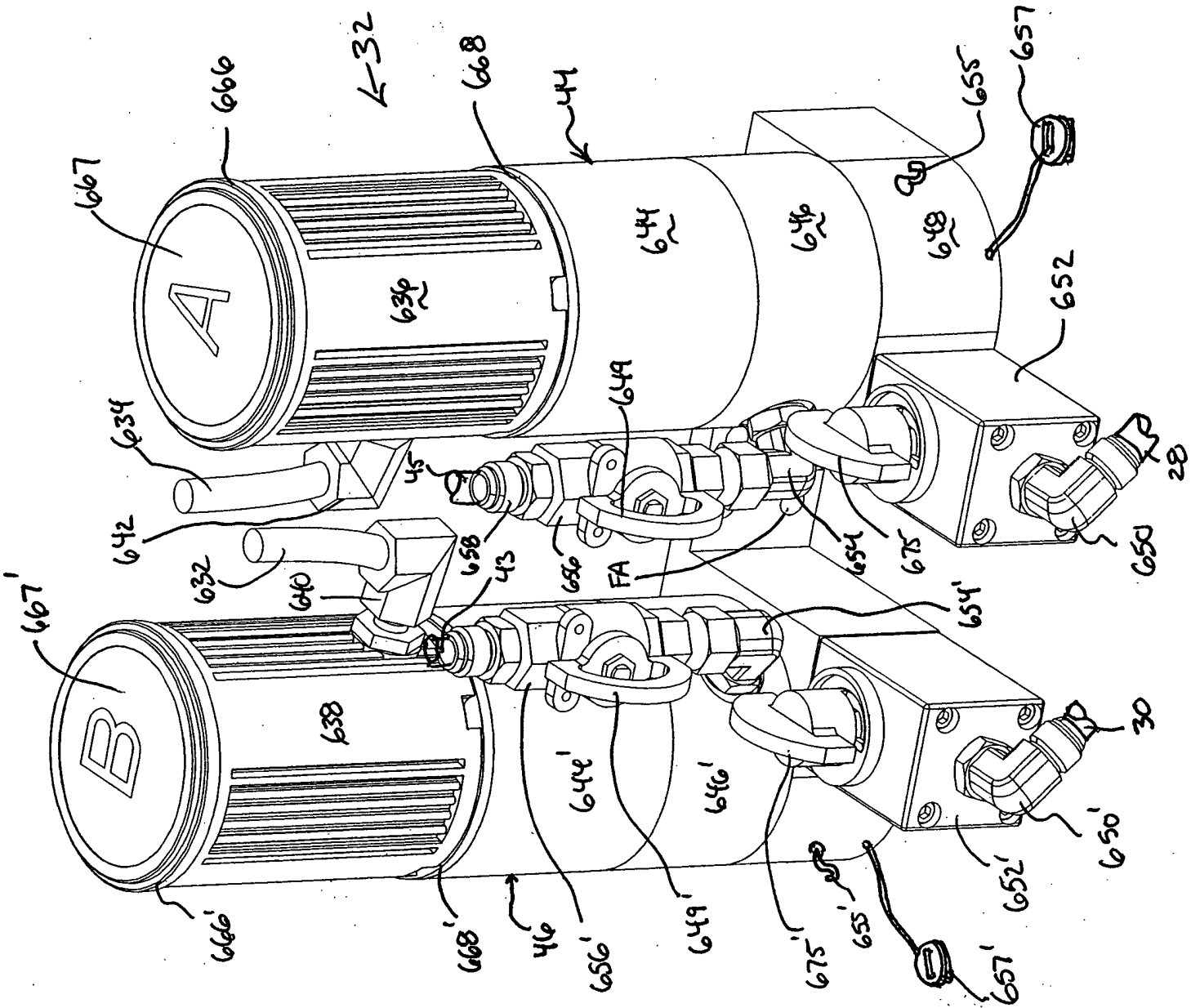


FIG. 77A

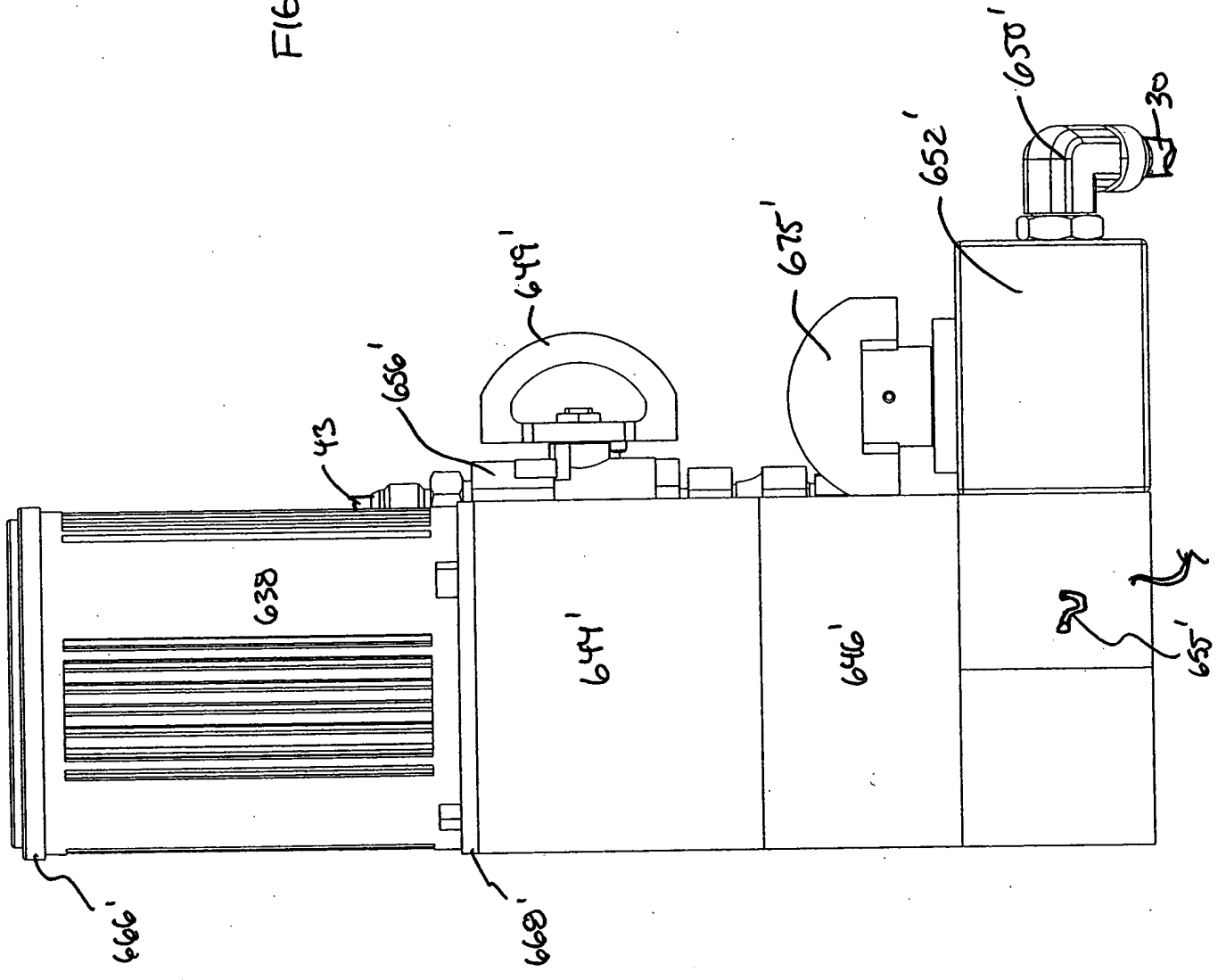


FIG. 78

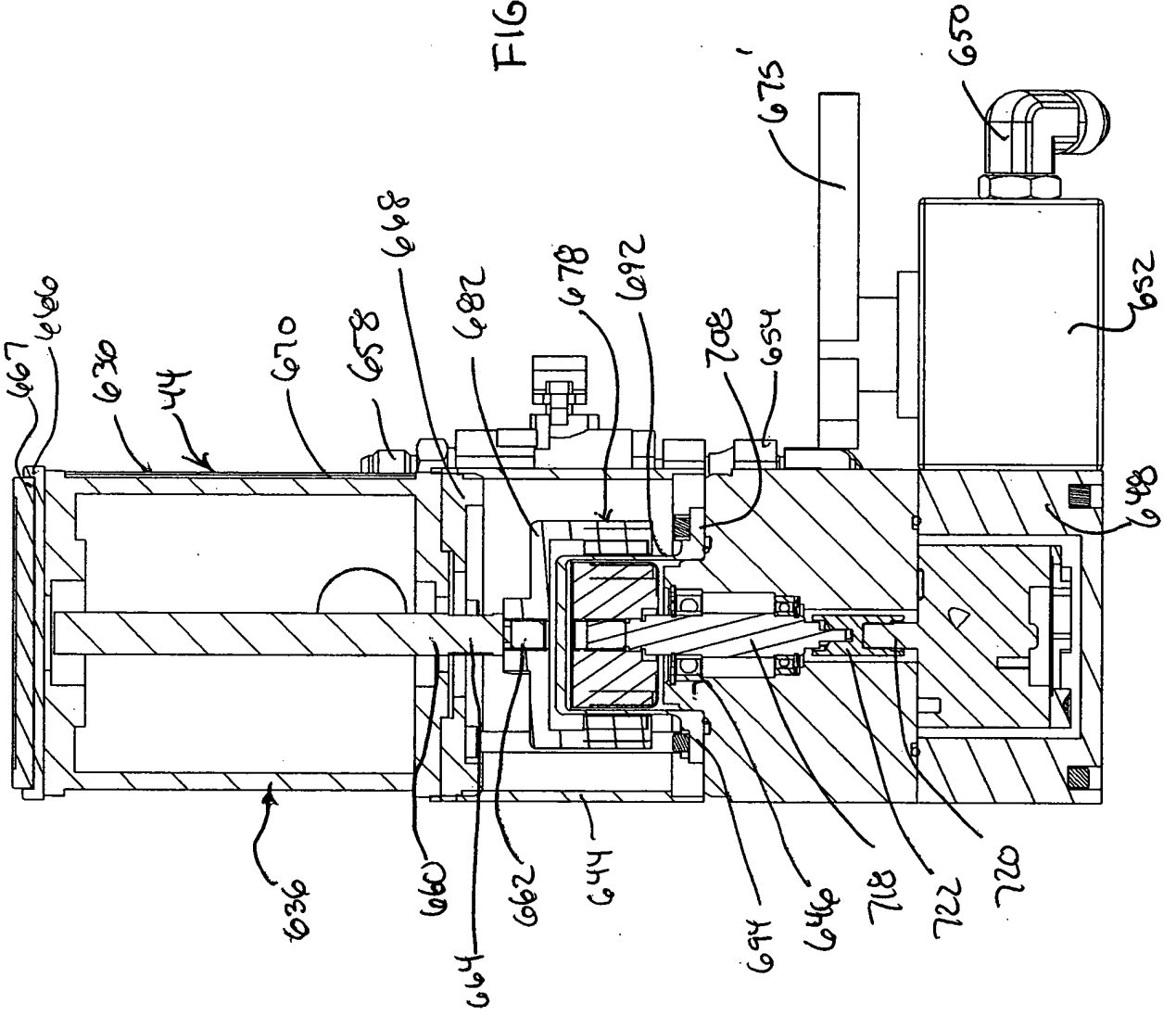


FIG. 79

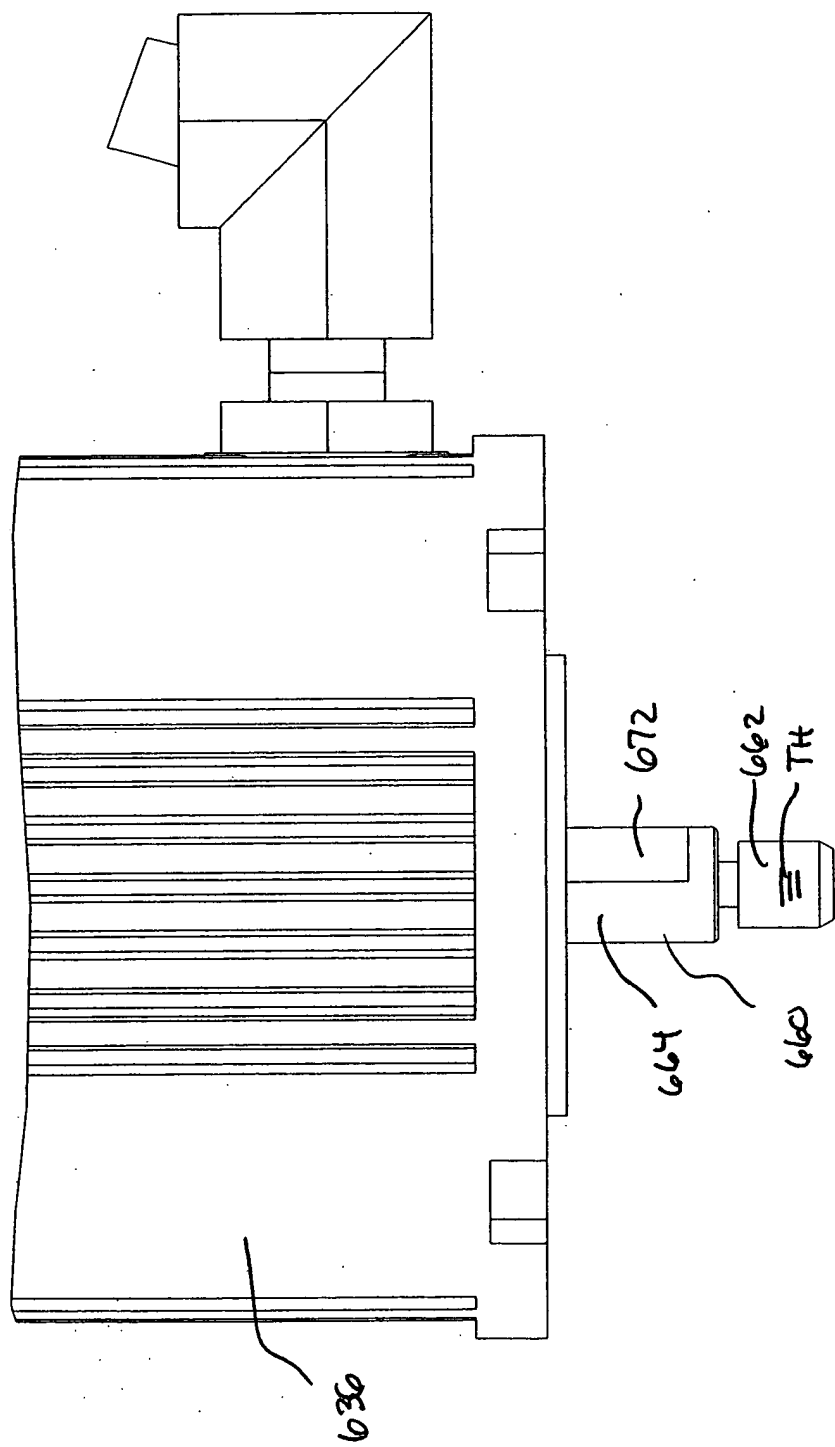
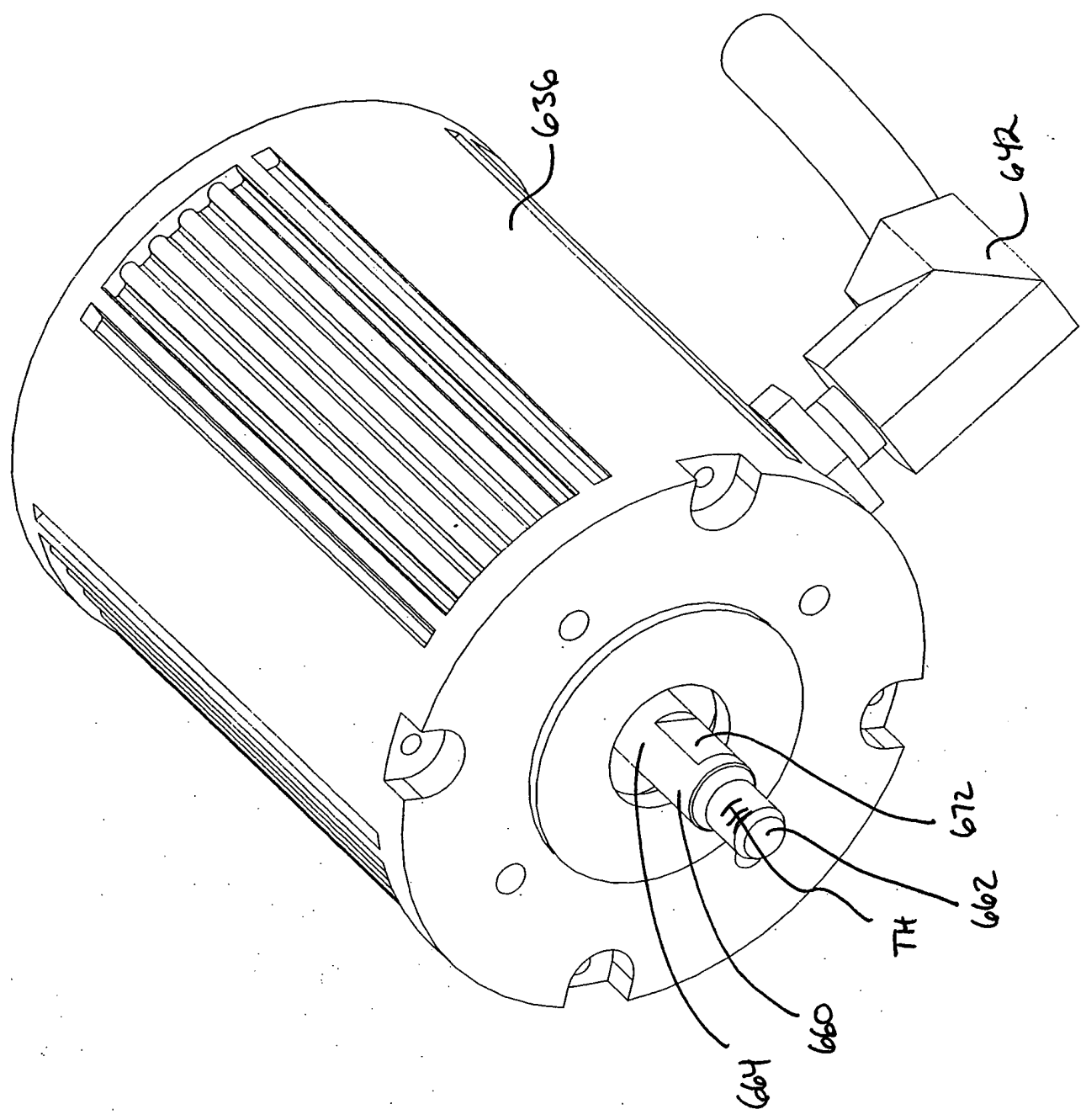


FIG. 80



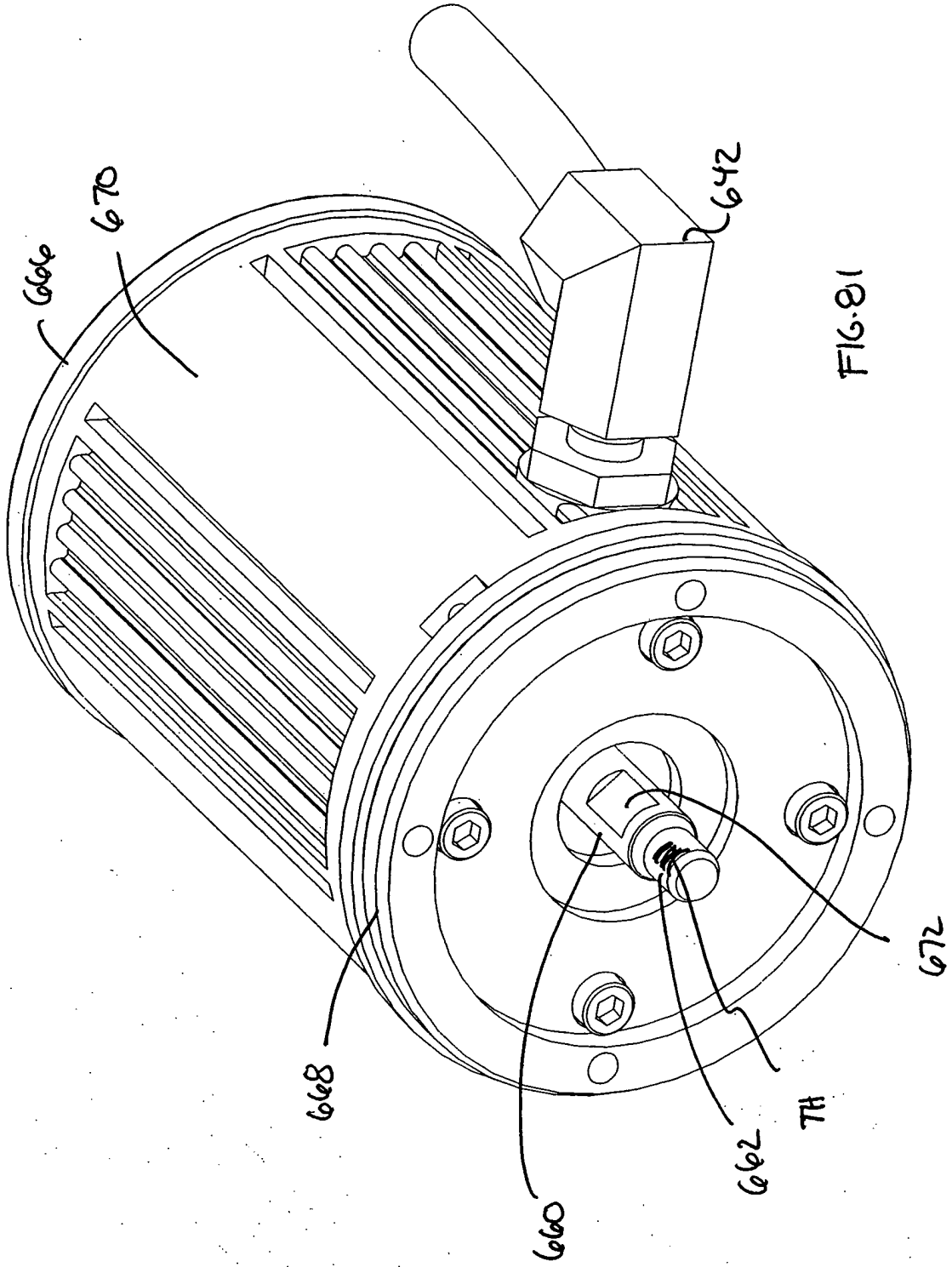


FIG. 81



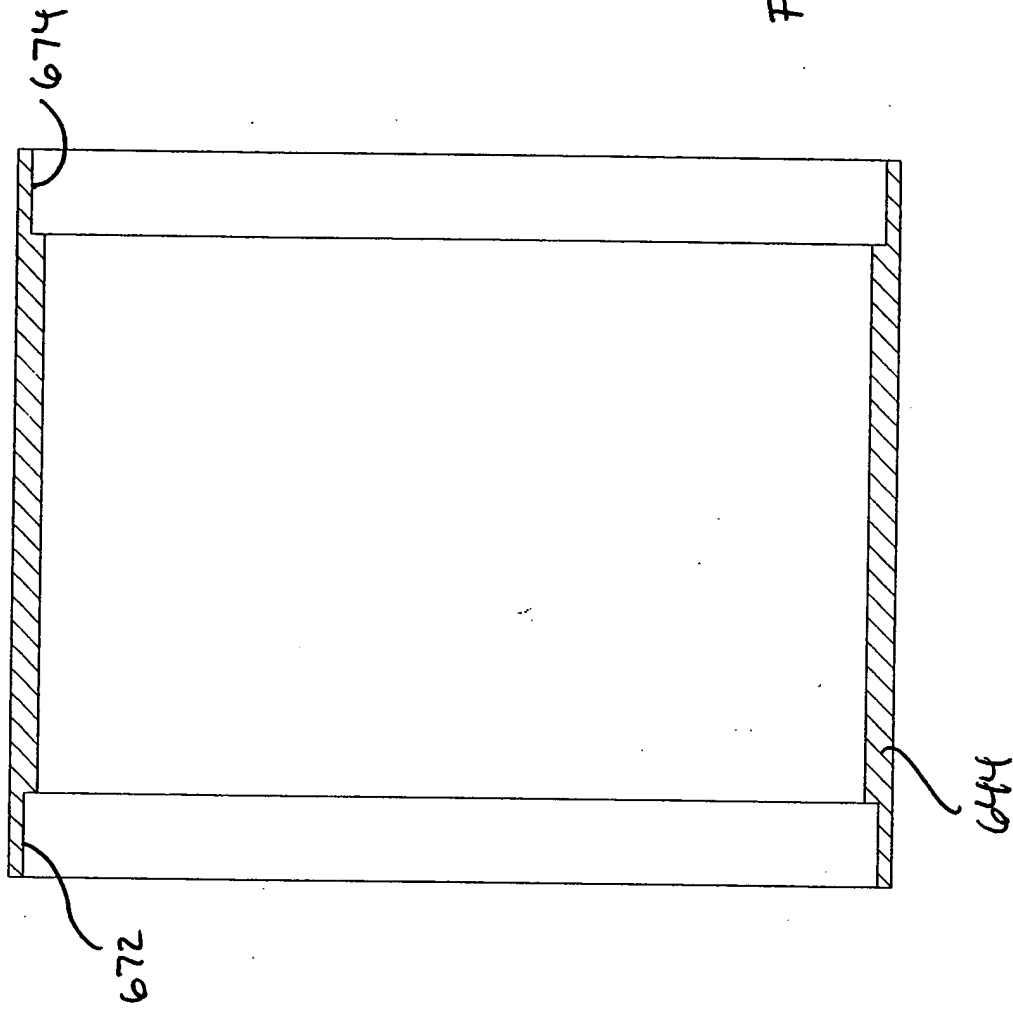
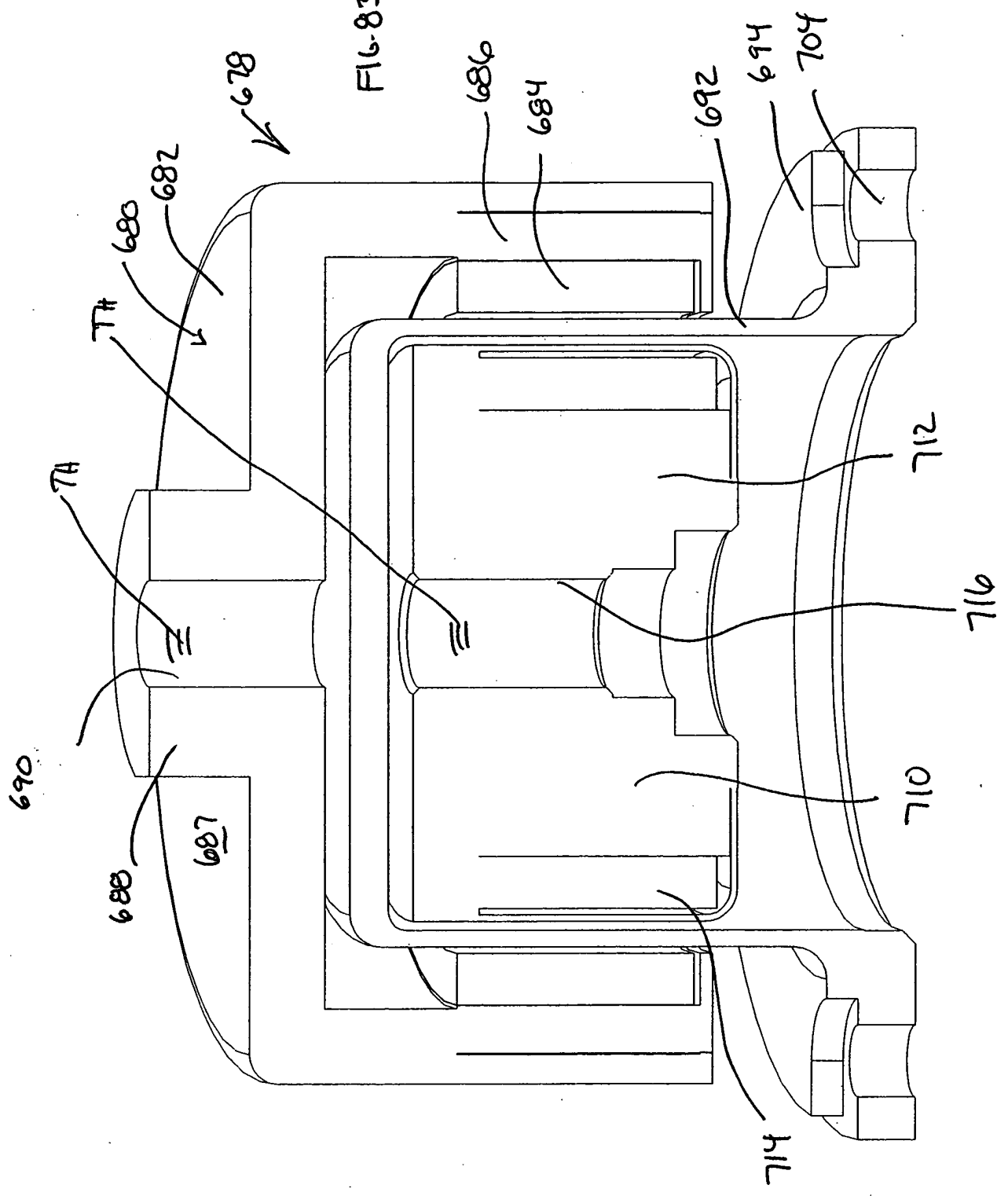


FIG. 82

FIG-83



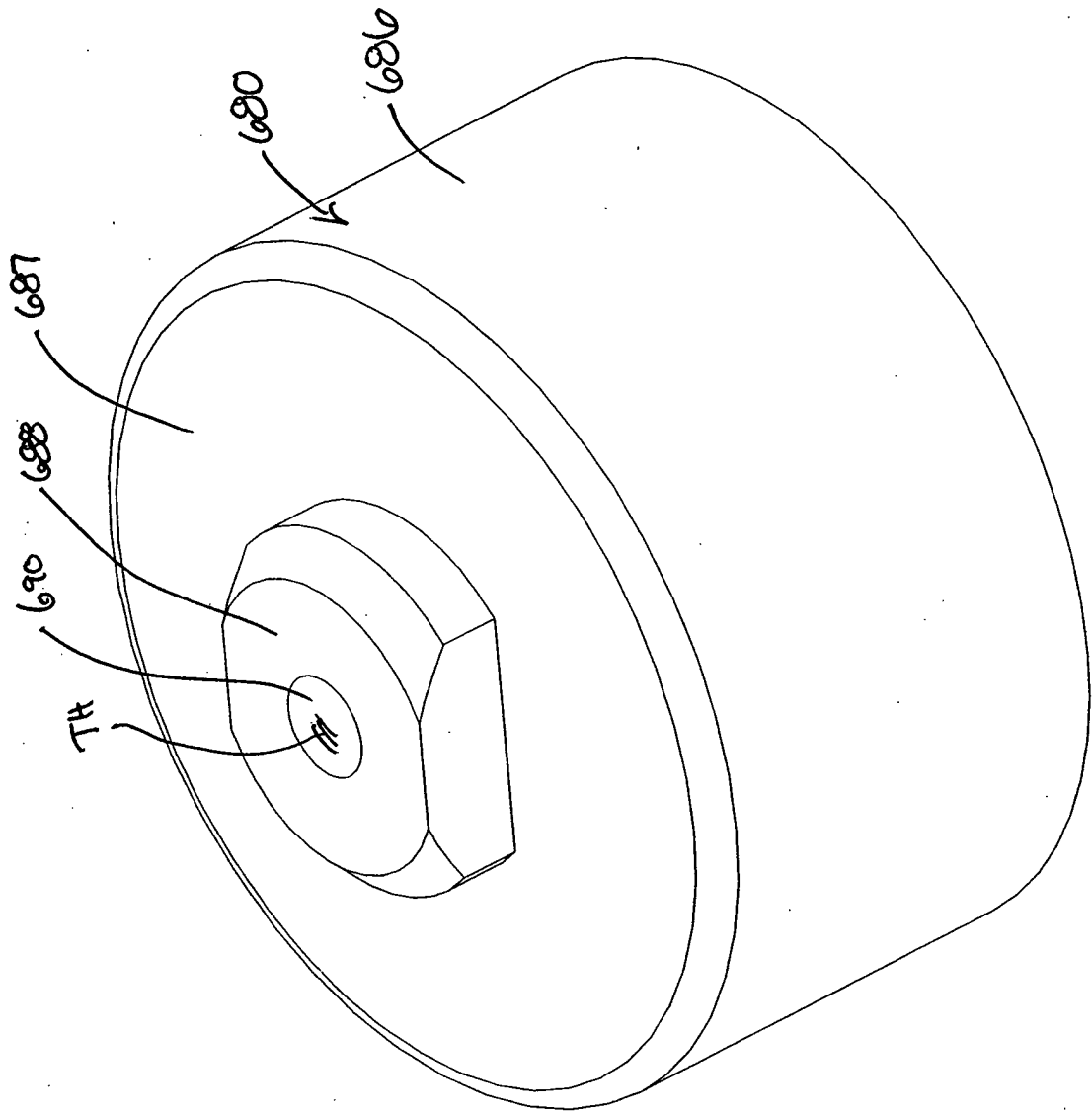


FIG. 84

FIG. 85

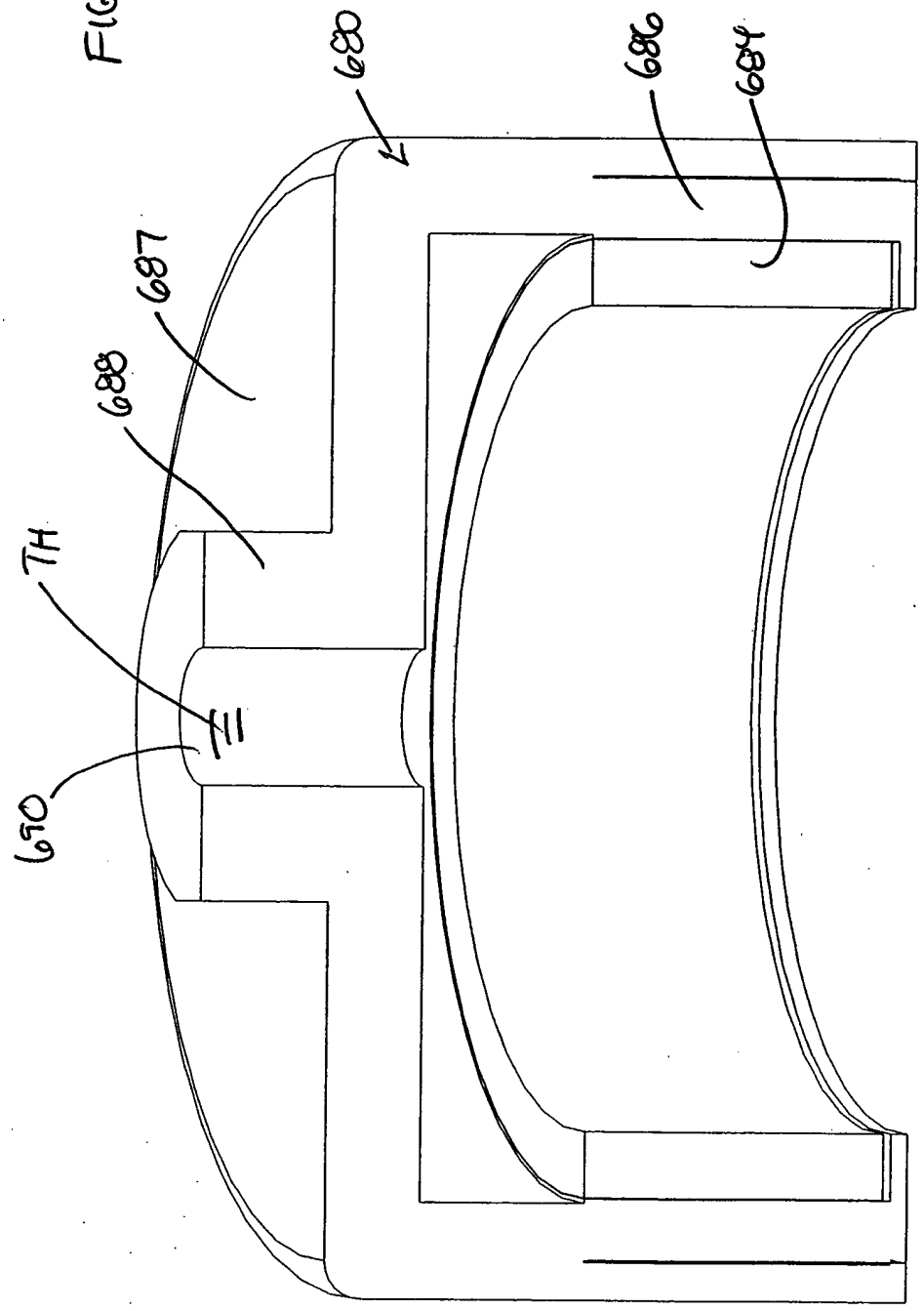


FIG. 86

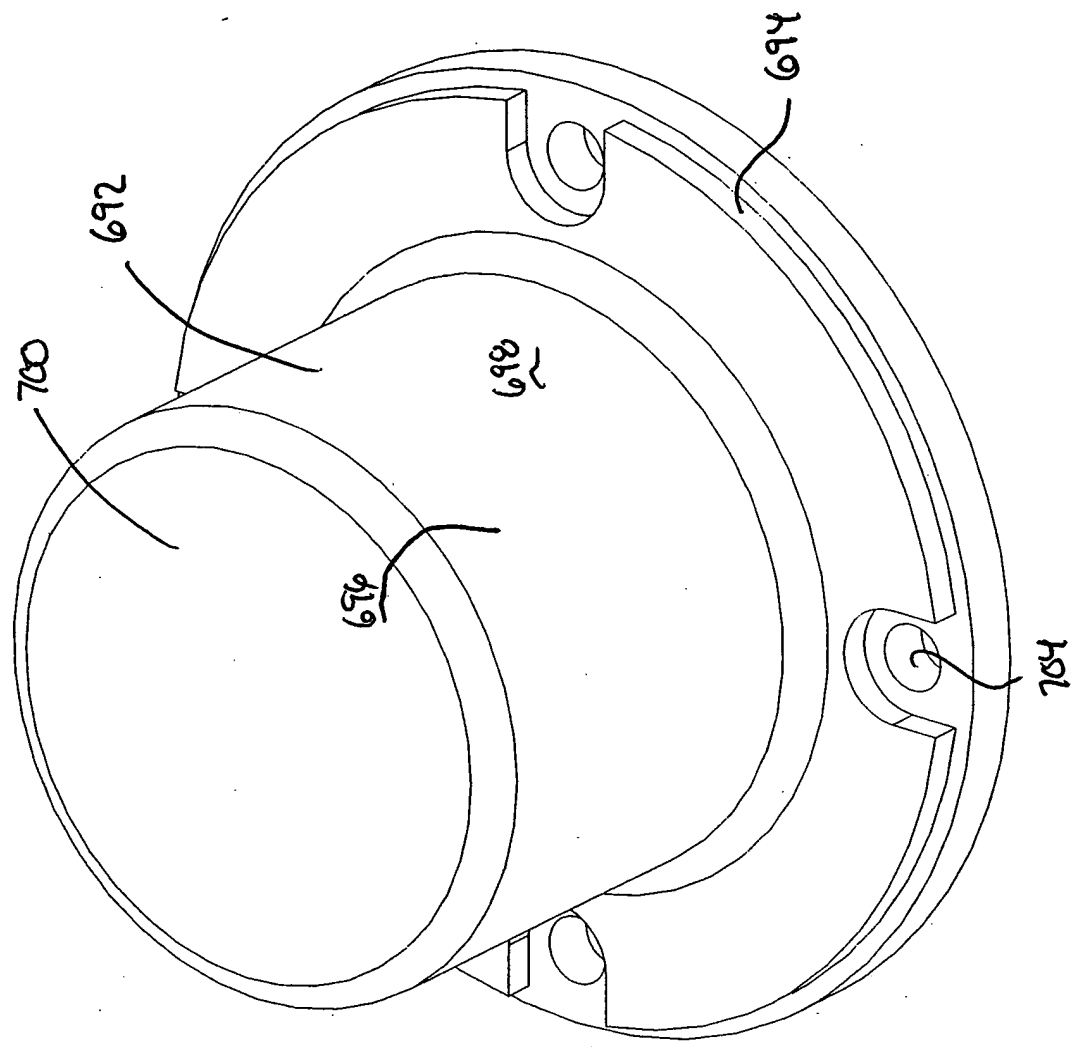


FIG. 87

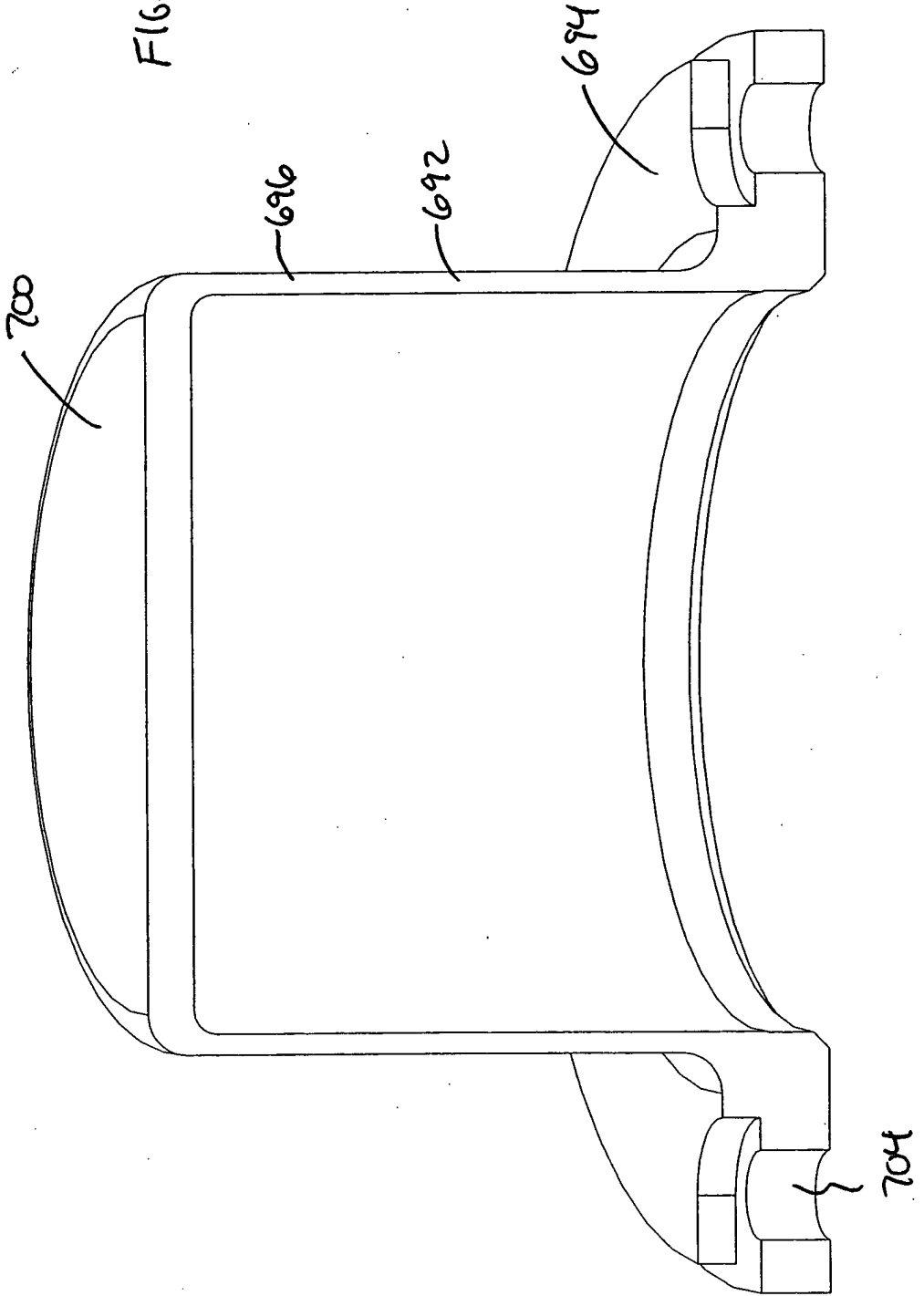


FIG. 88

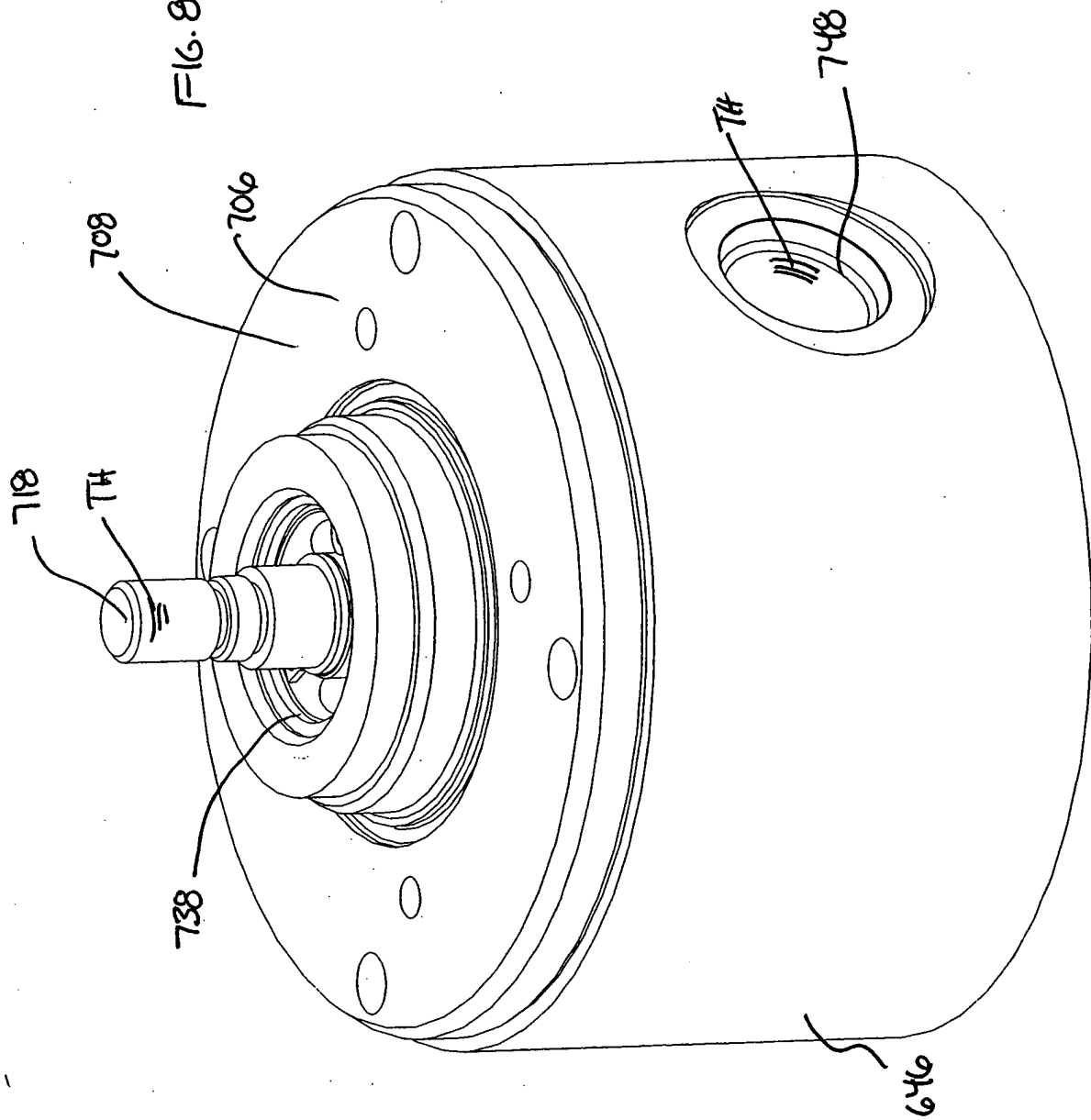


FIG. 89A

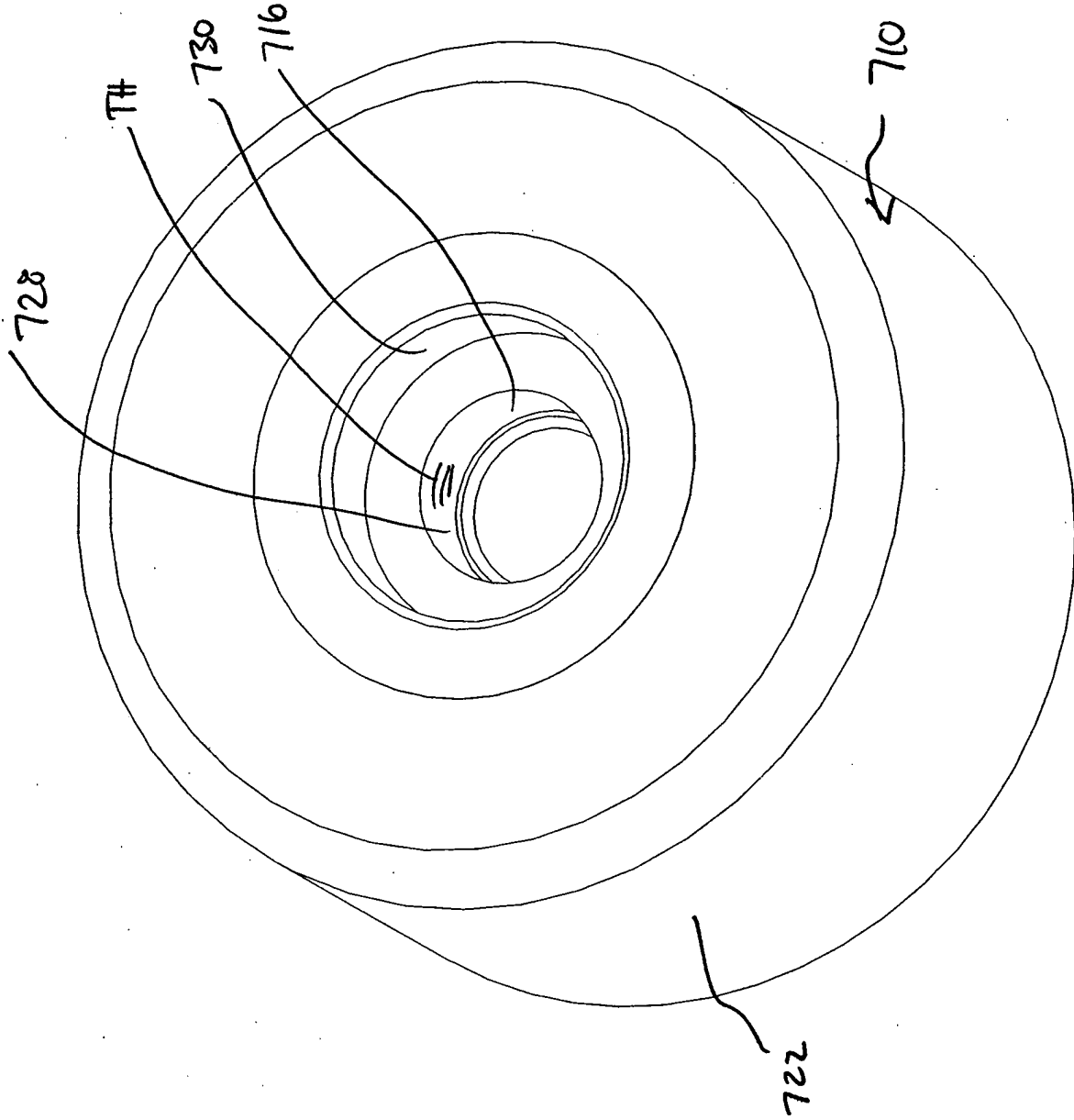




FIG. 816

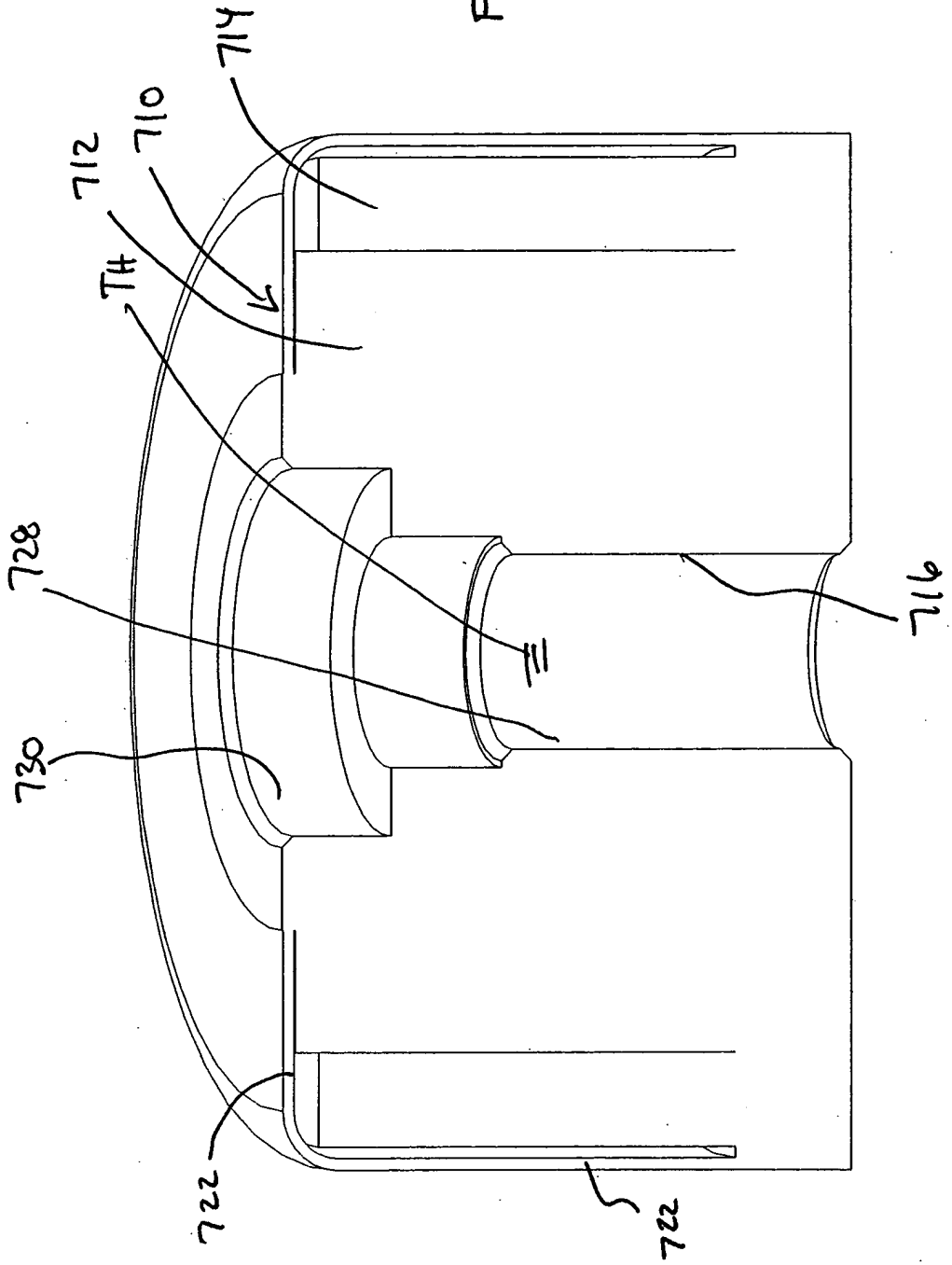
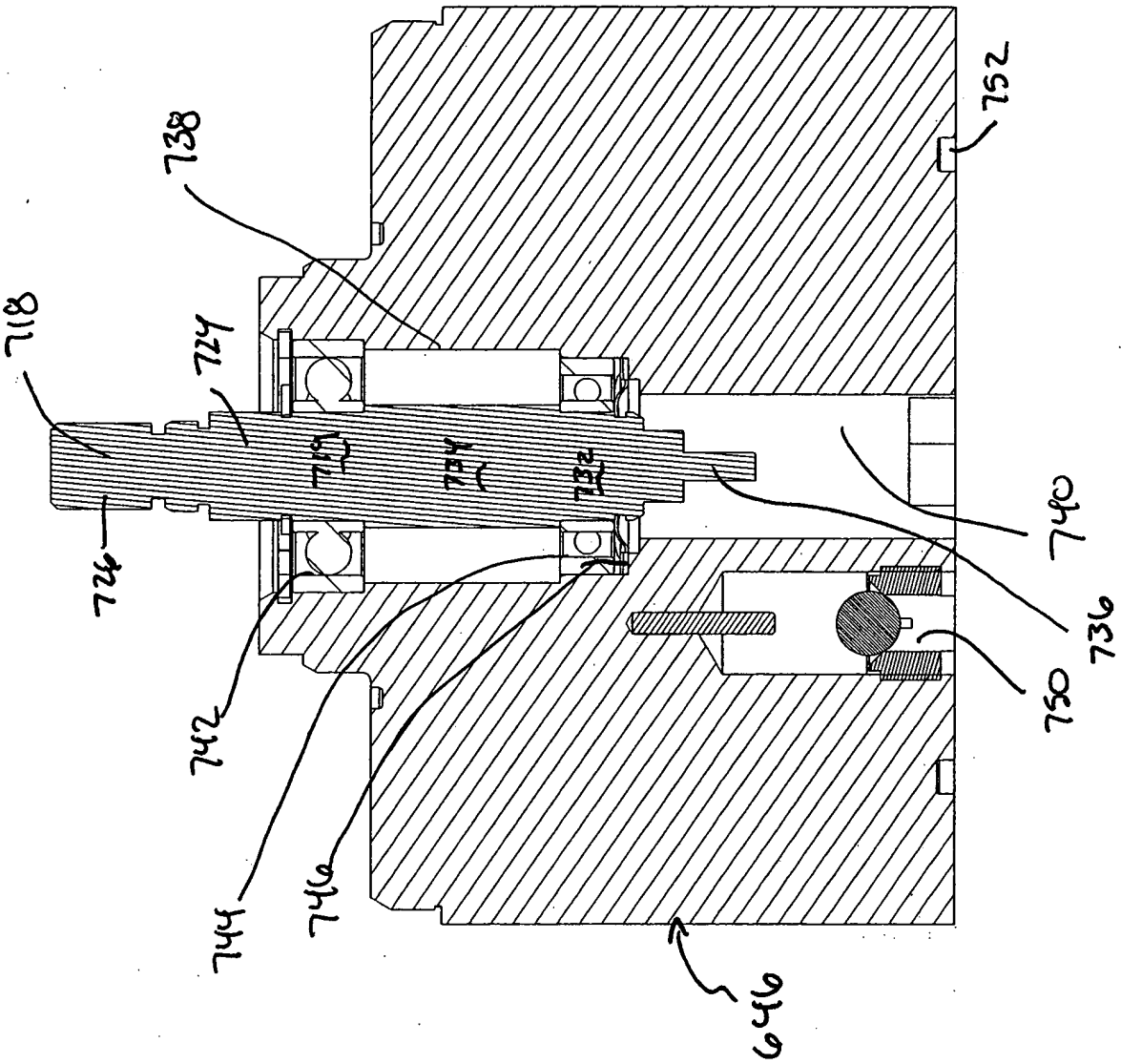


FIG. 90



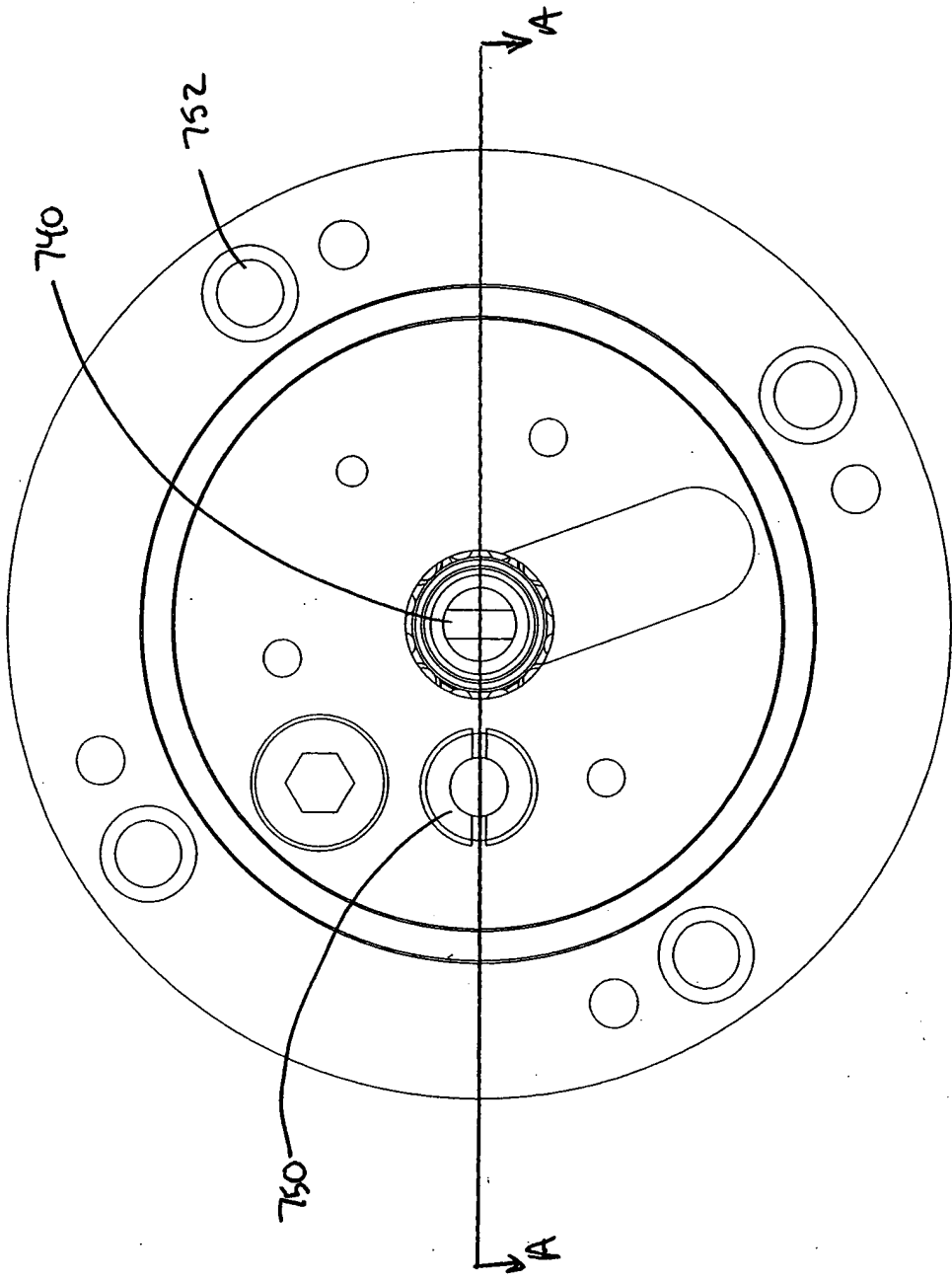
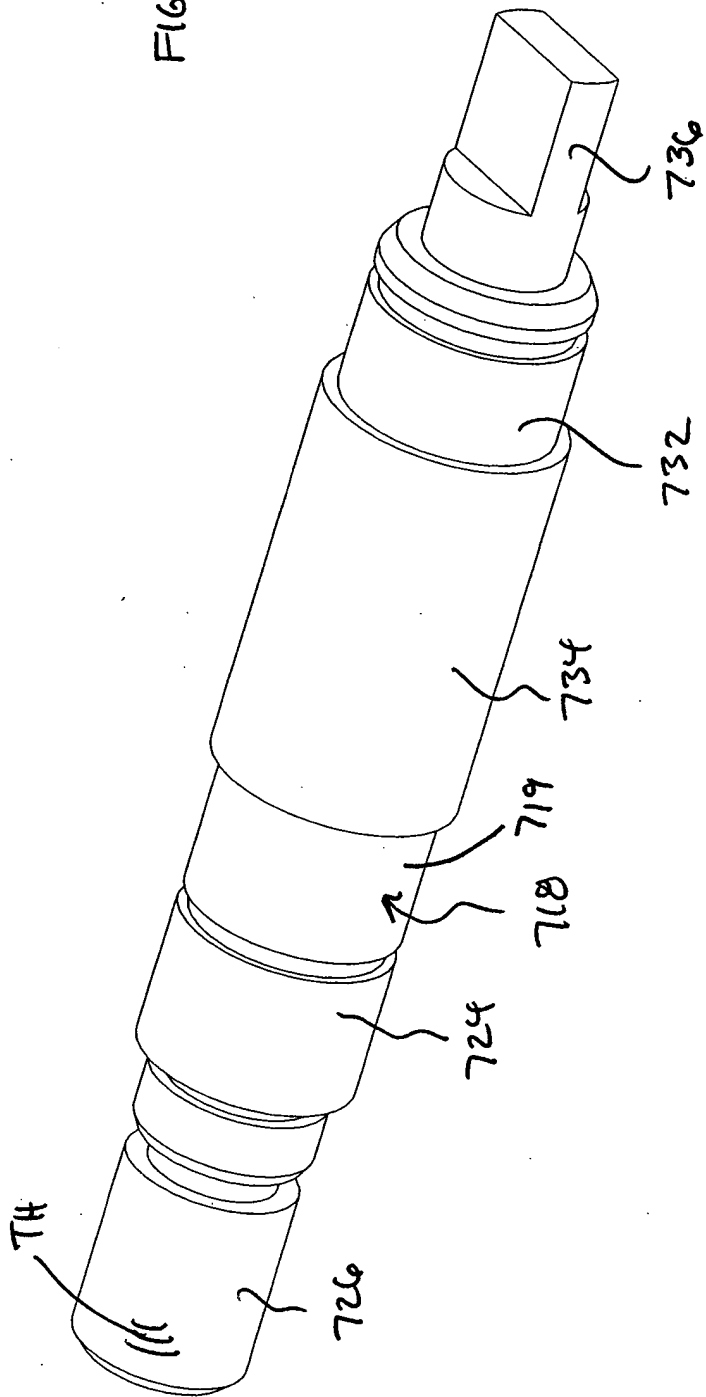


FIG. 91

FIG. 92



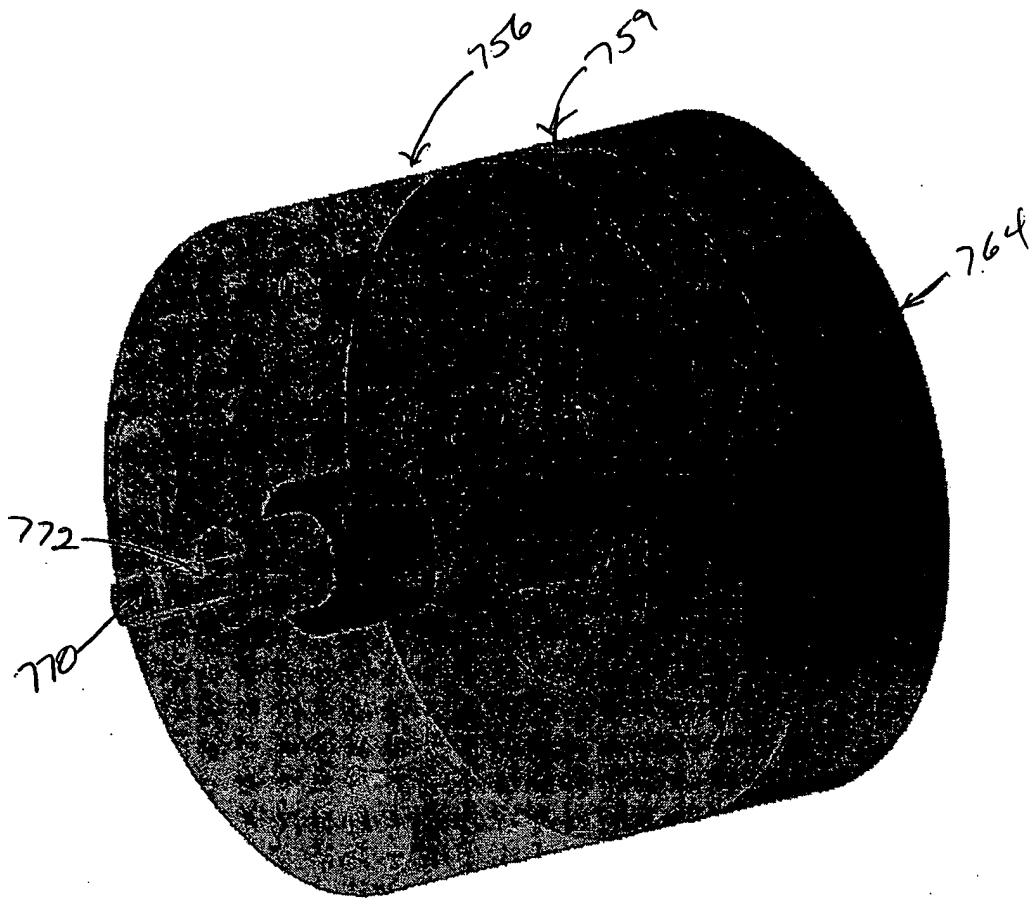


FIG. 93

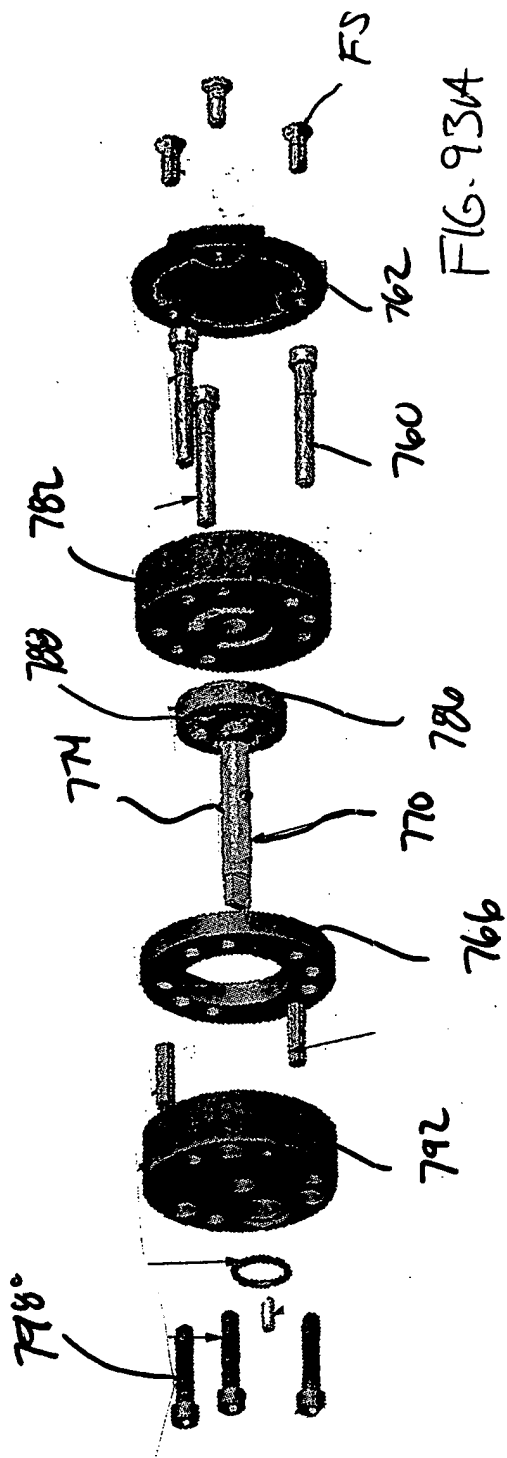


FIG. 931A

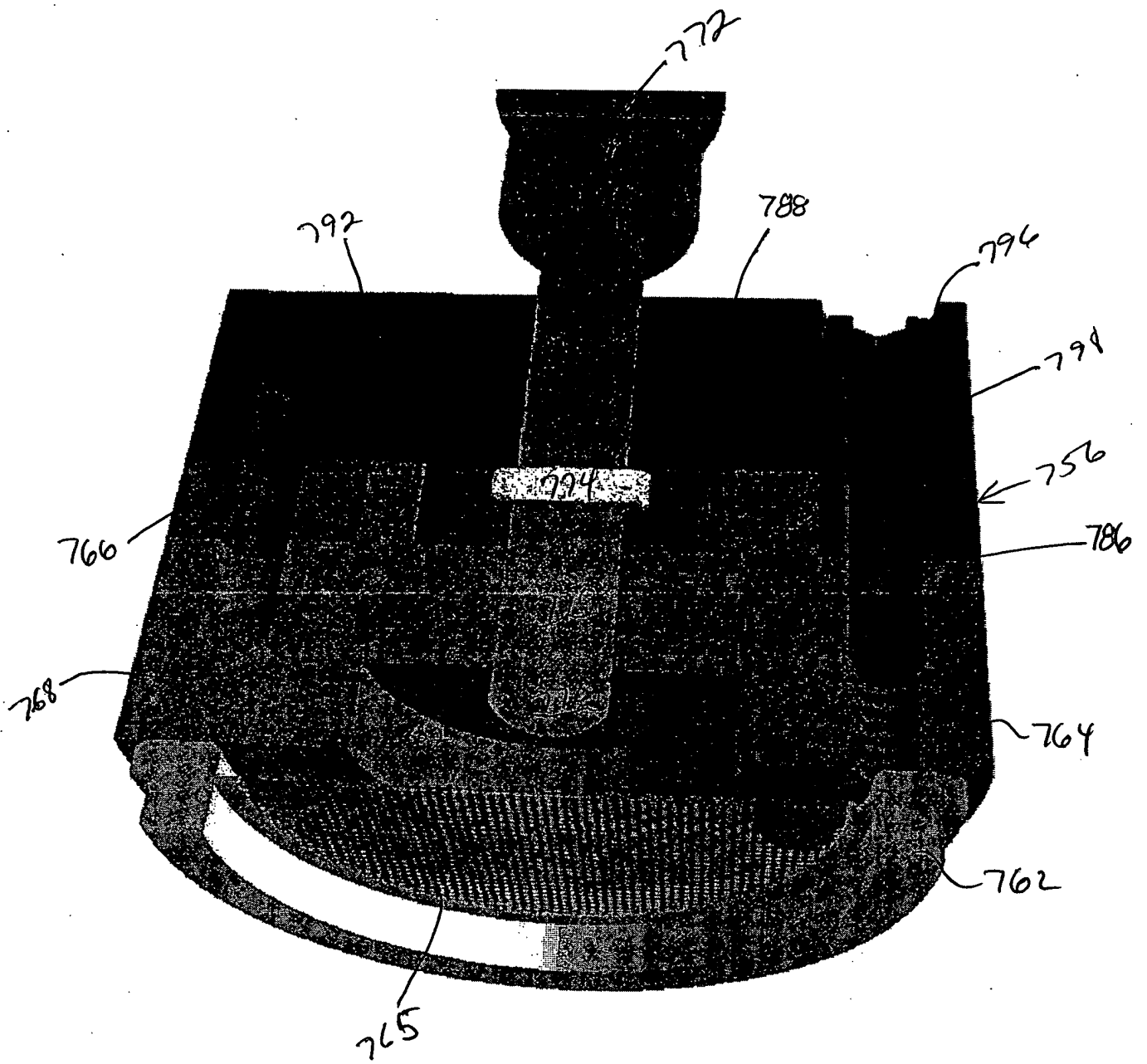


FIG. 94

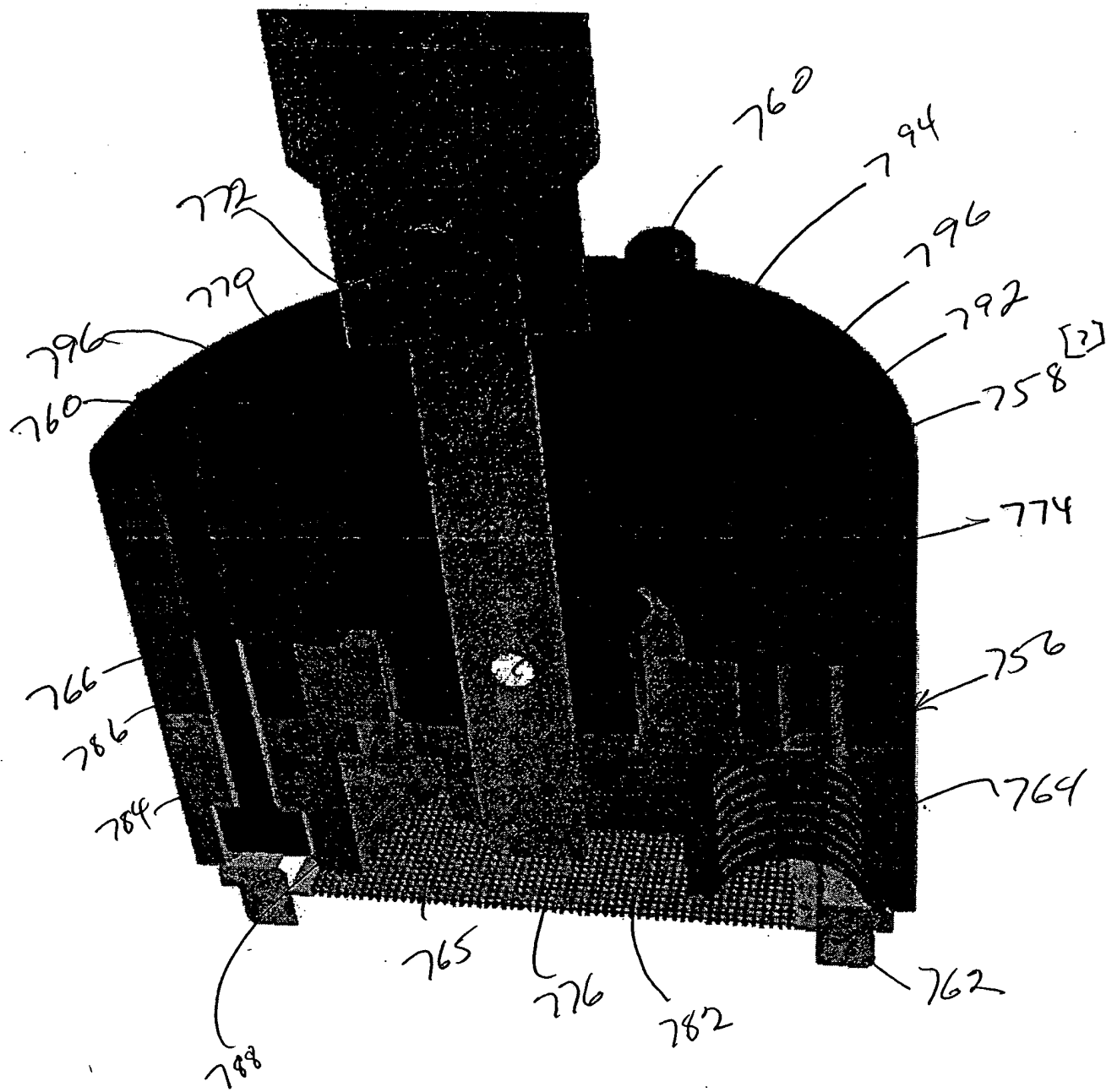
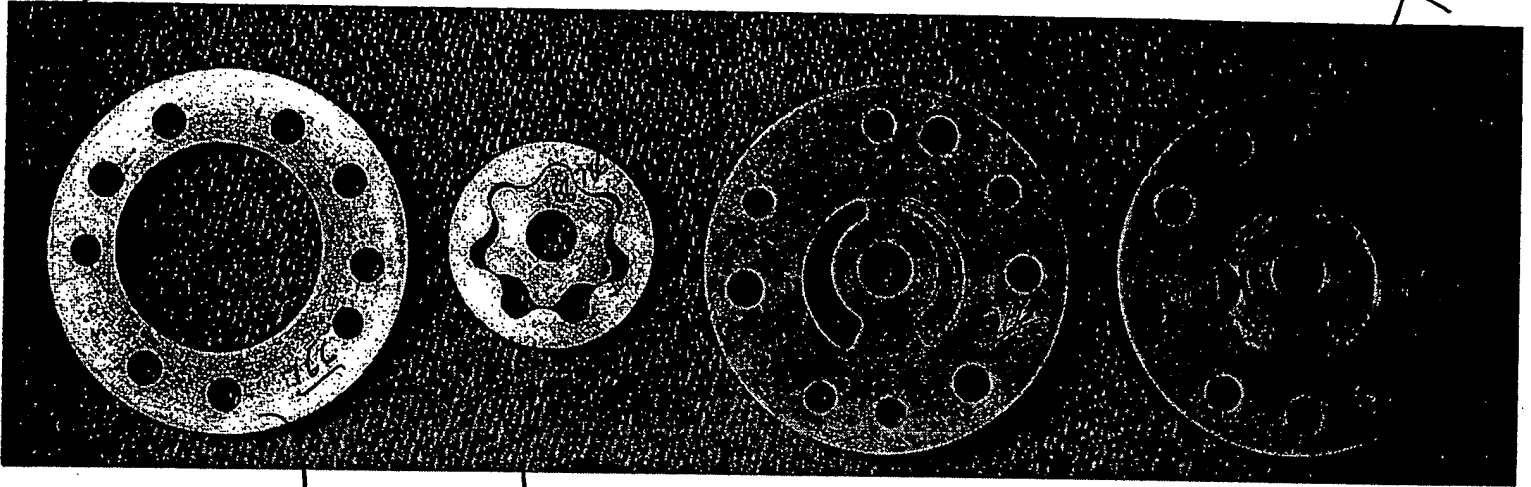


FIG. 95



FIG. 96

794



766

768

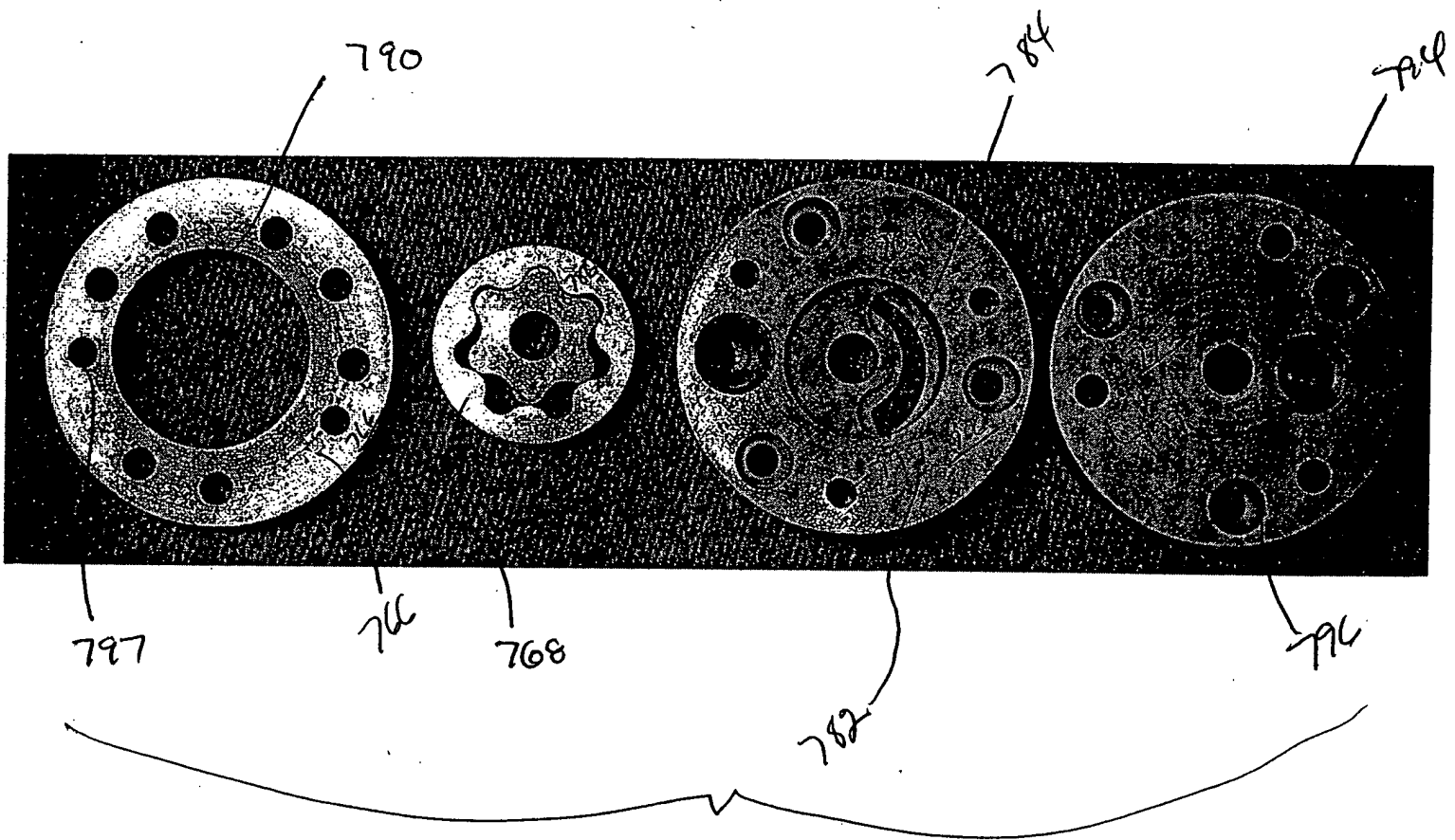


FIG. 97

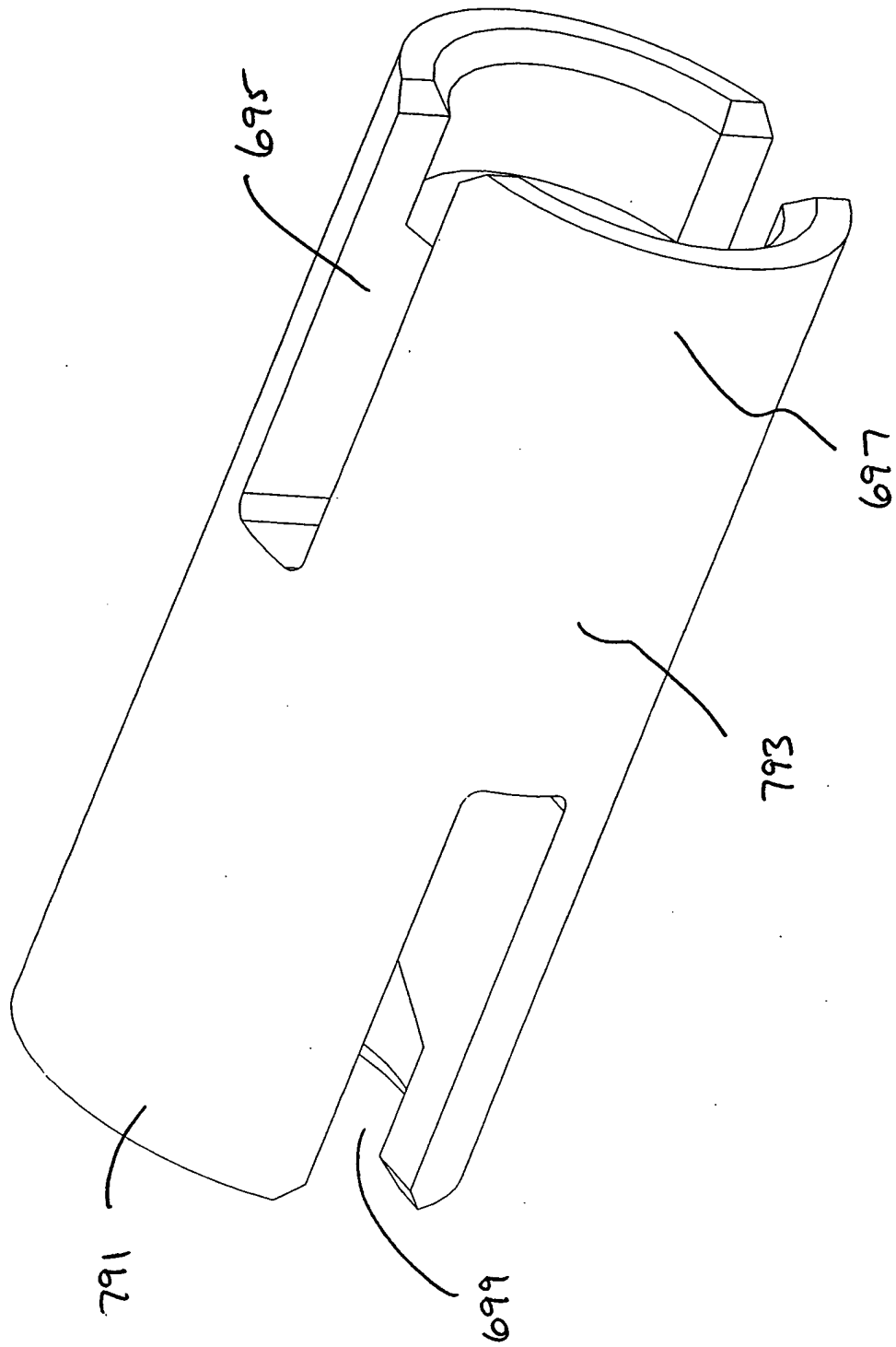
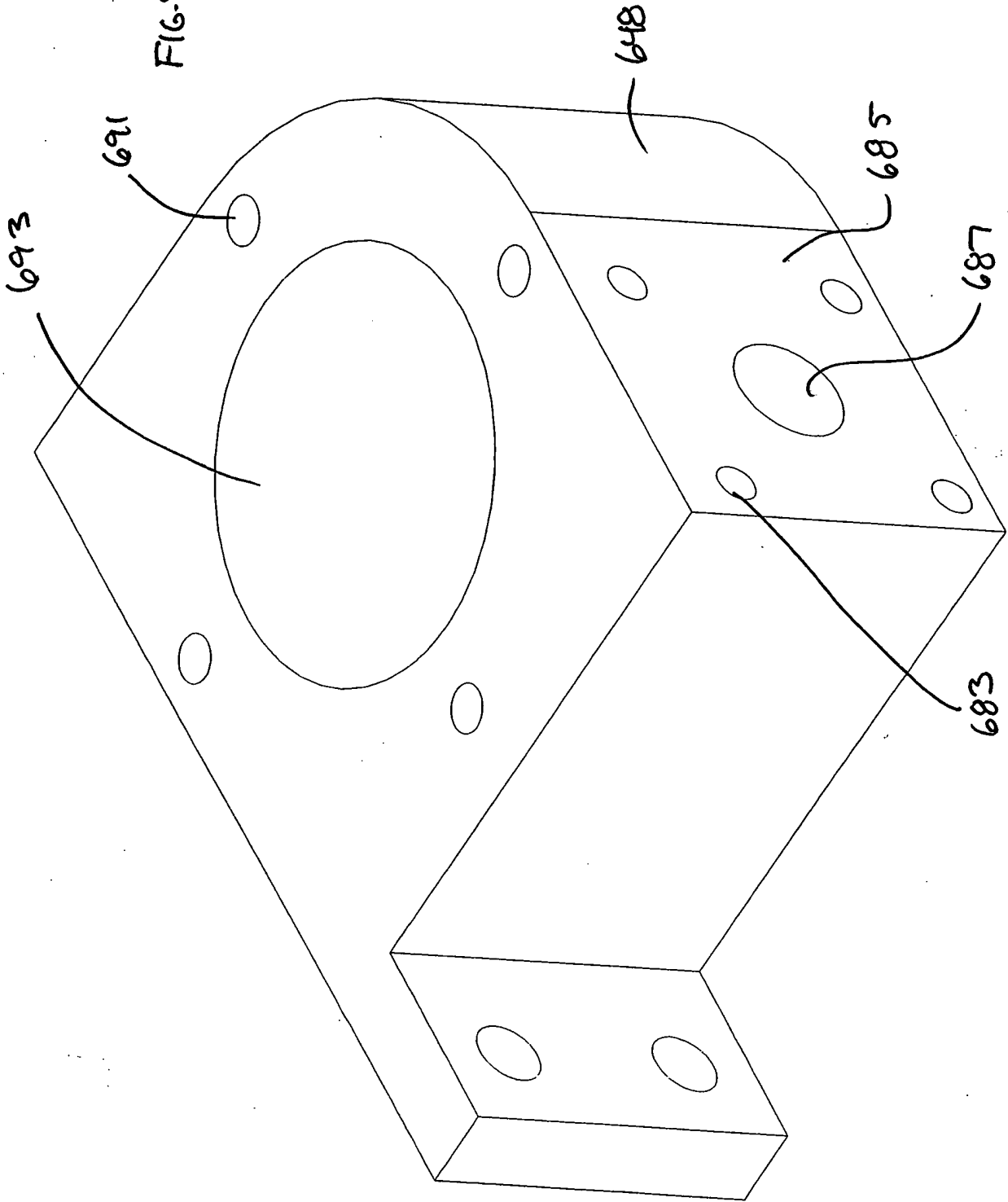


FIG. 98

FIG. 99



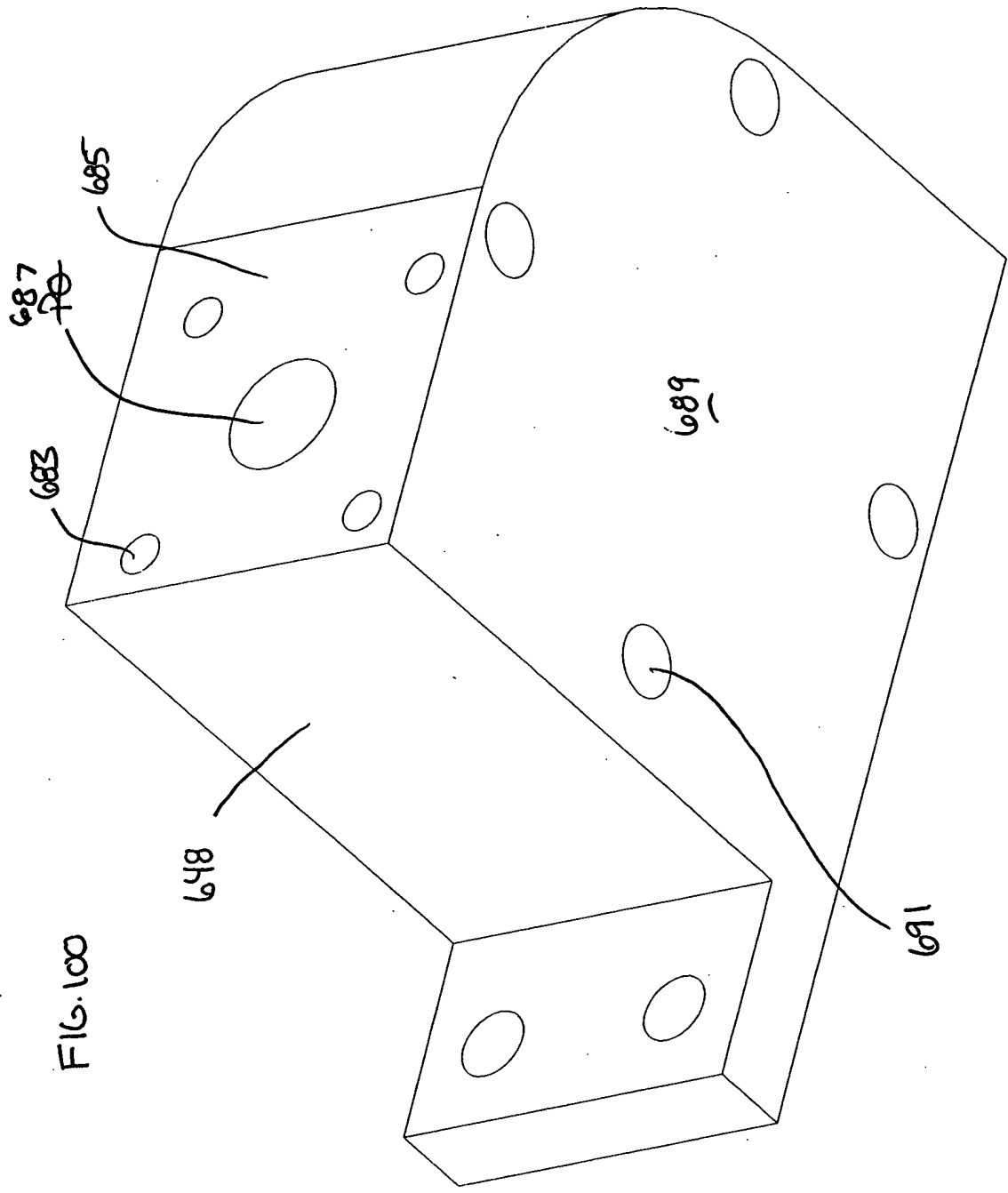
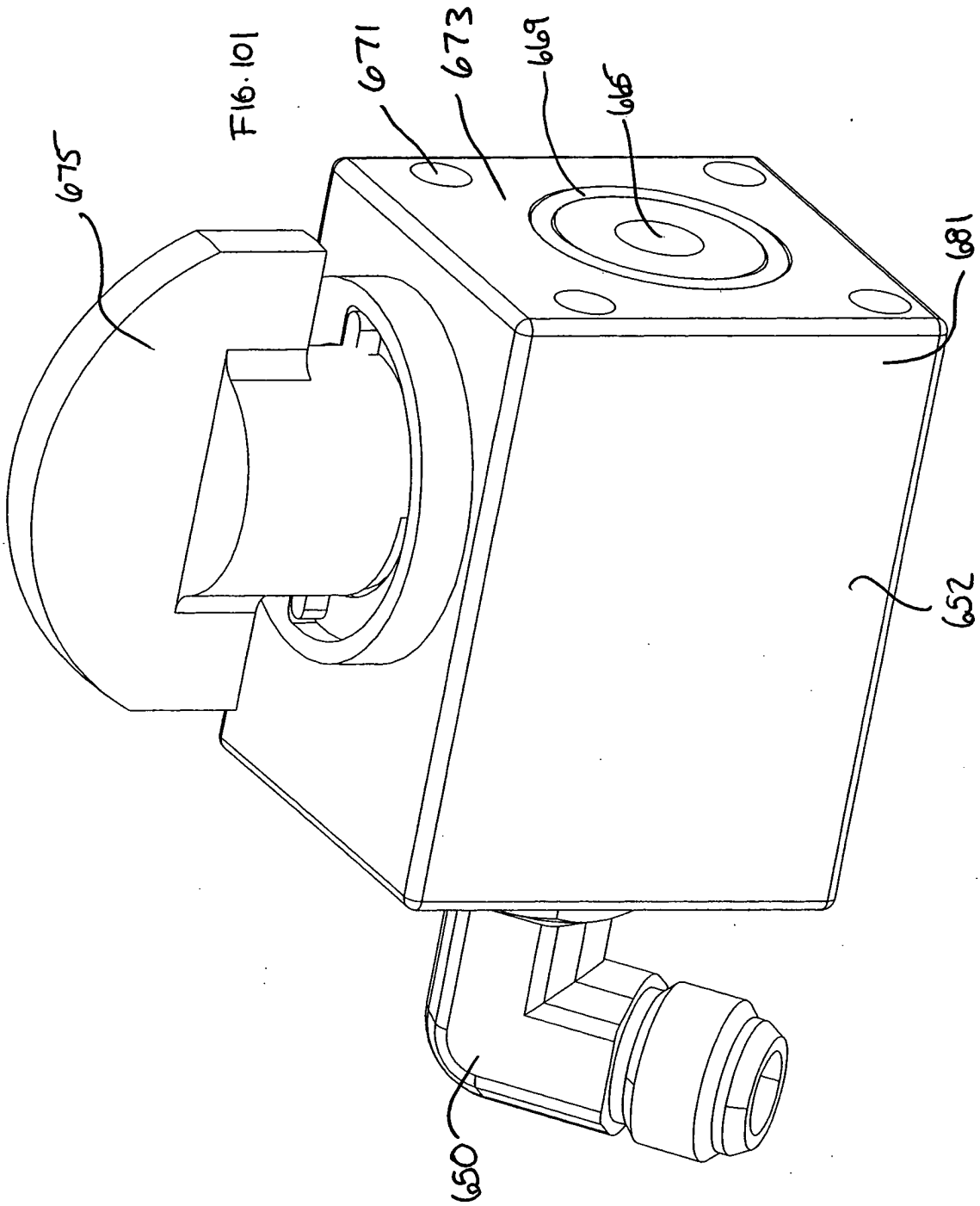


FIG. 100



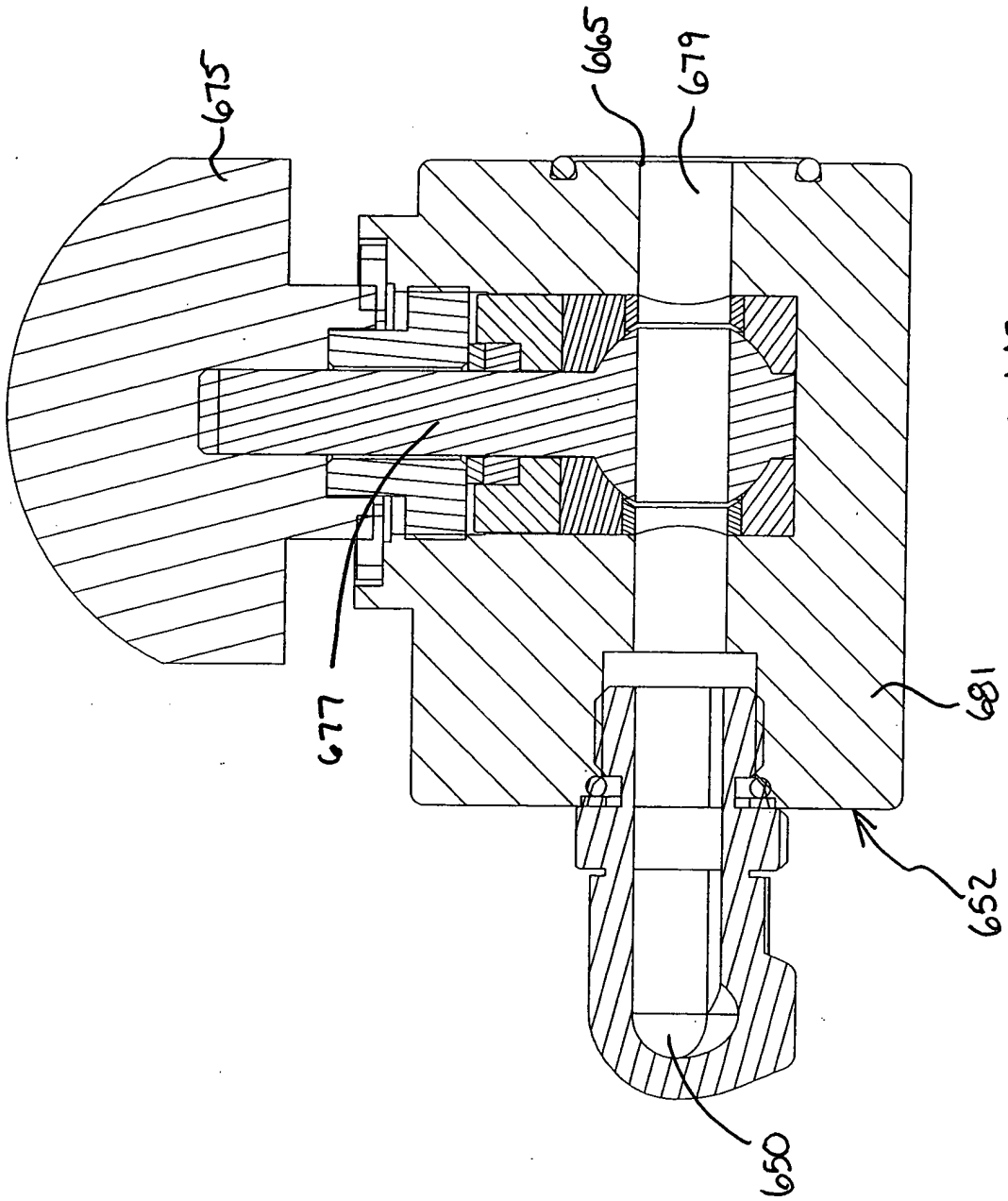




FIG. 103



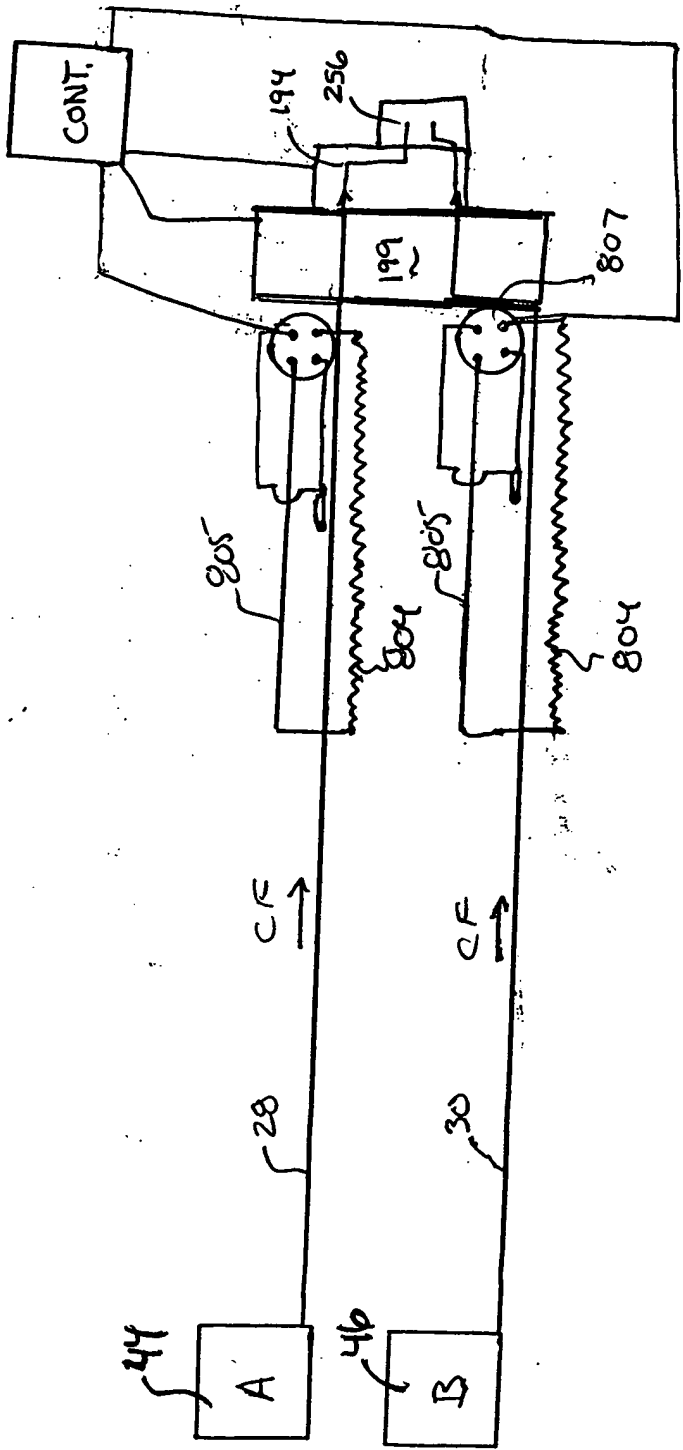


FIG. 104

FIG. 105

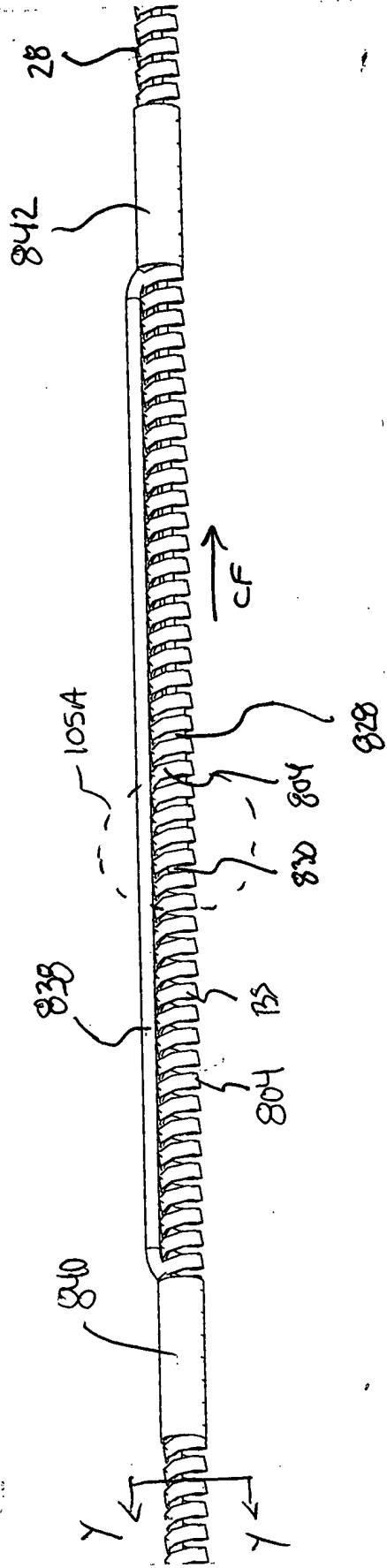


FIG. 105A

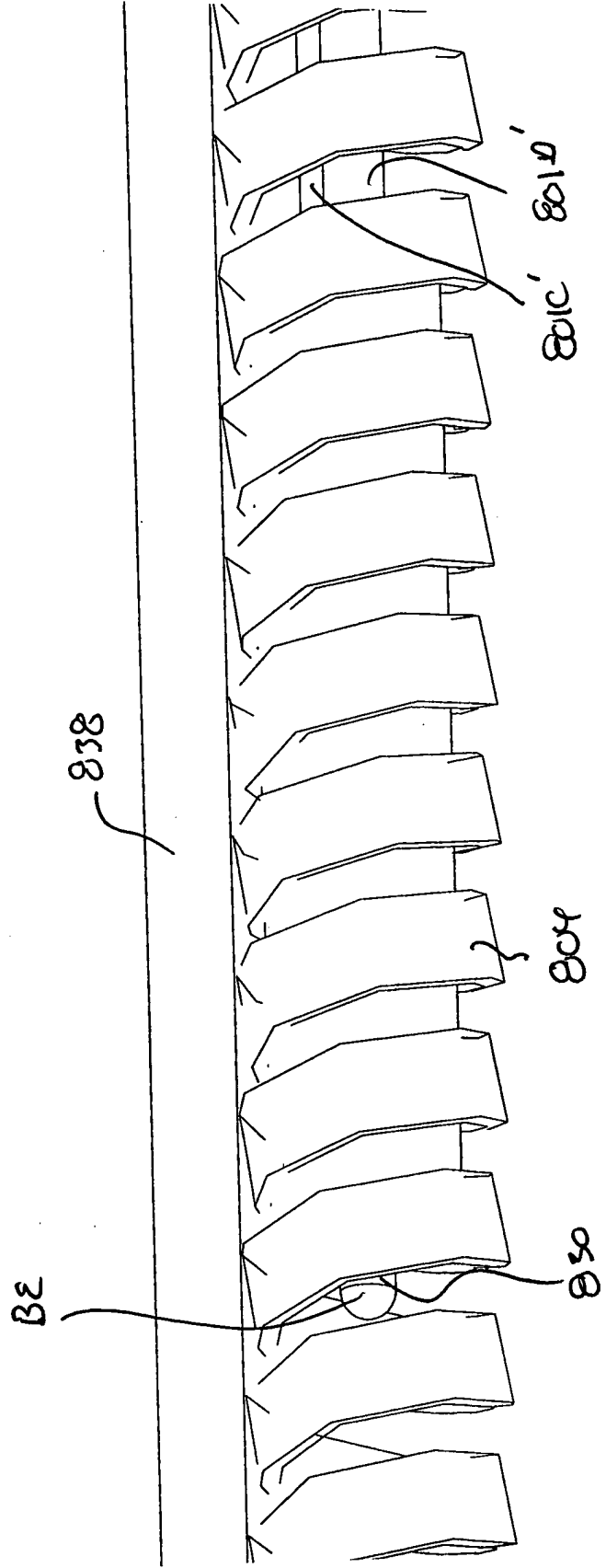


FIG. 106

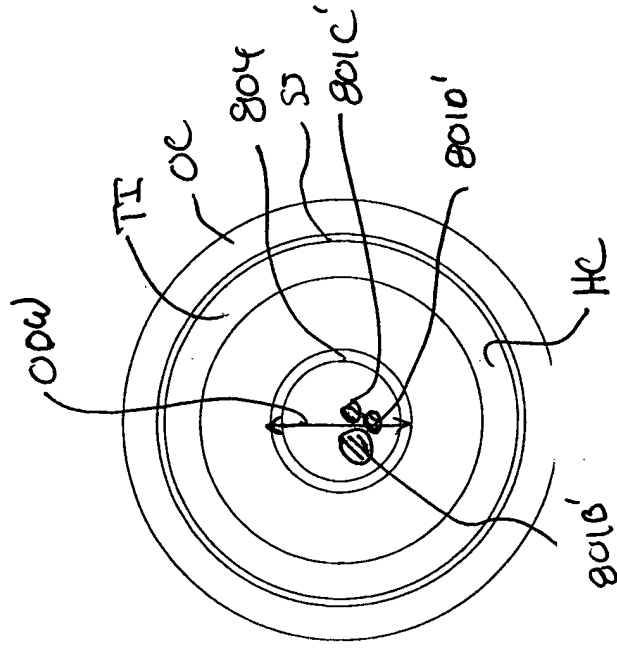
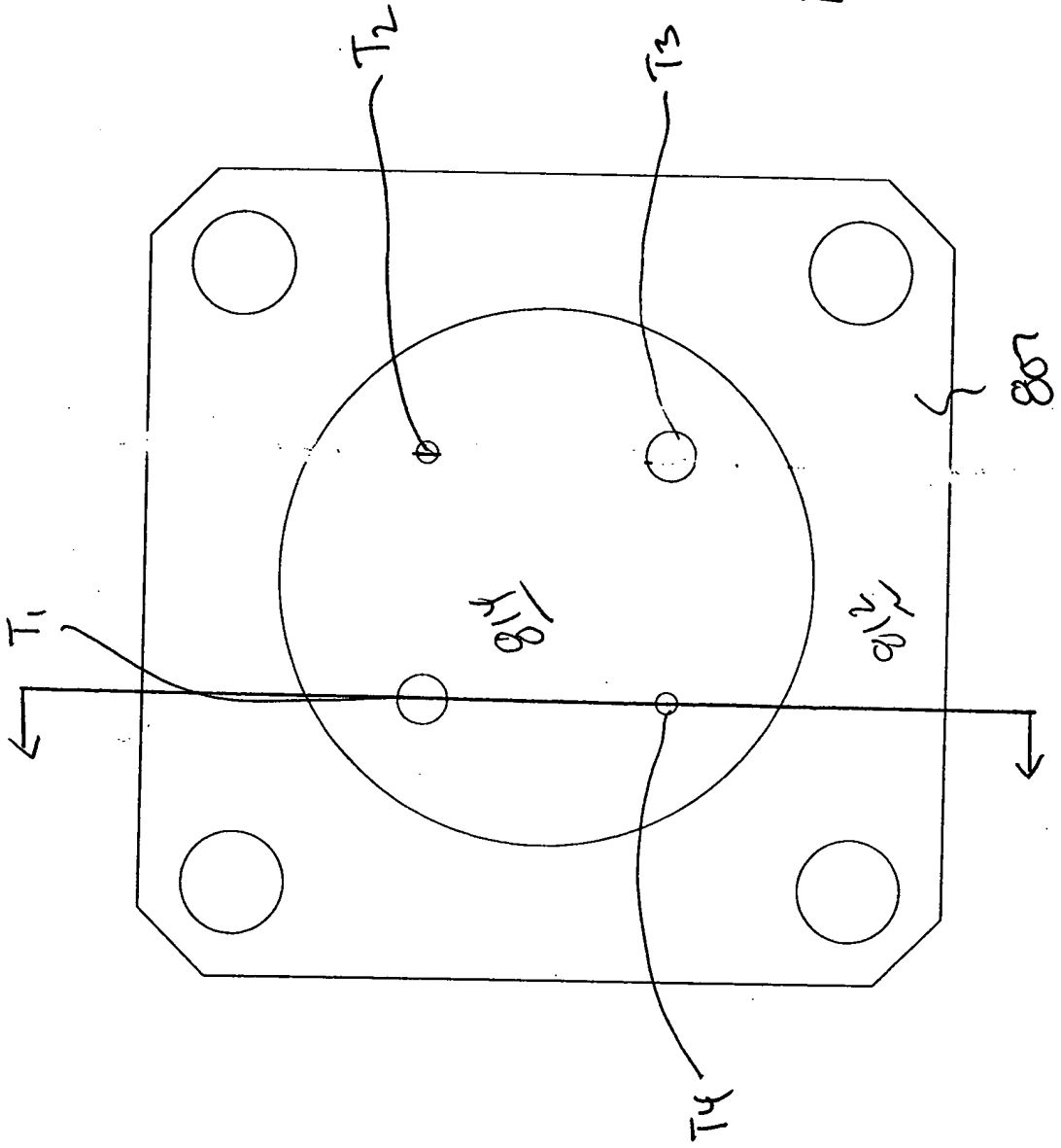


FIG. 107



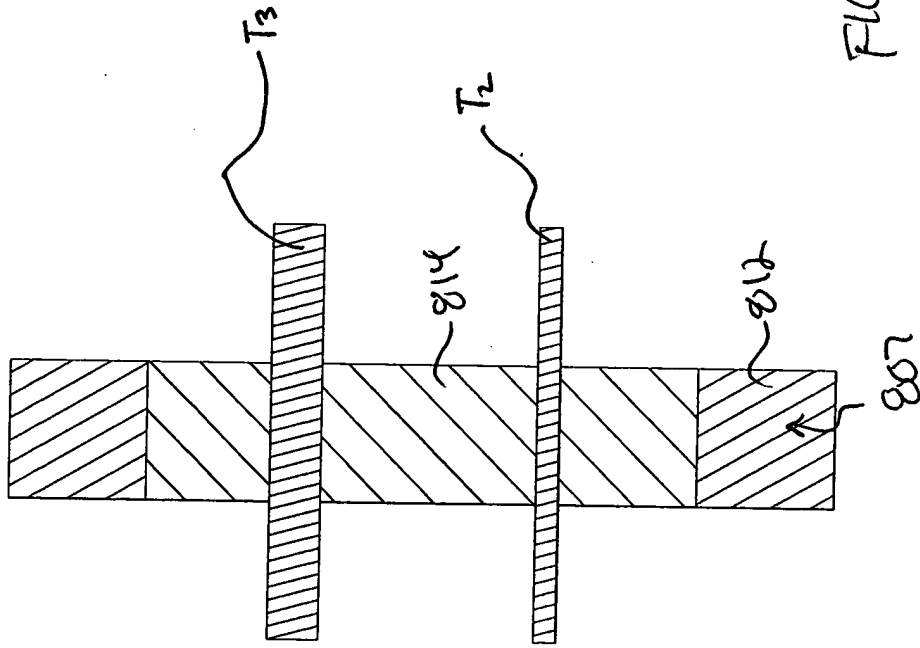


FIG. 108

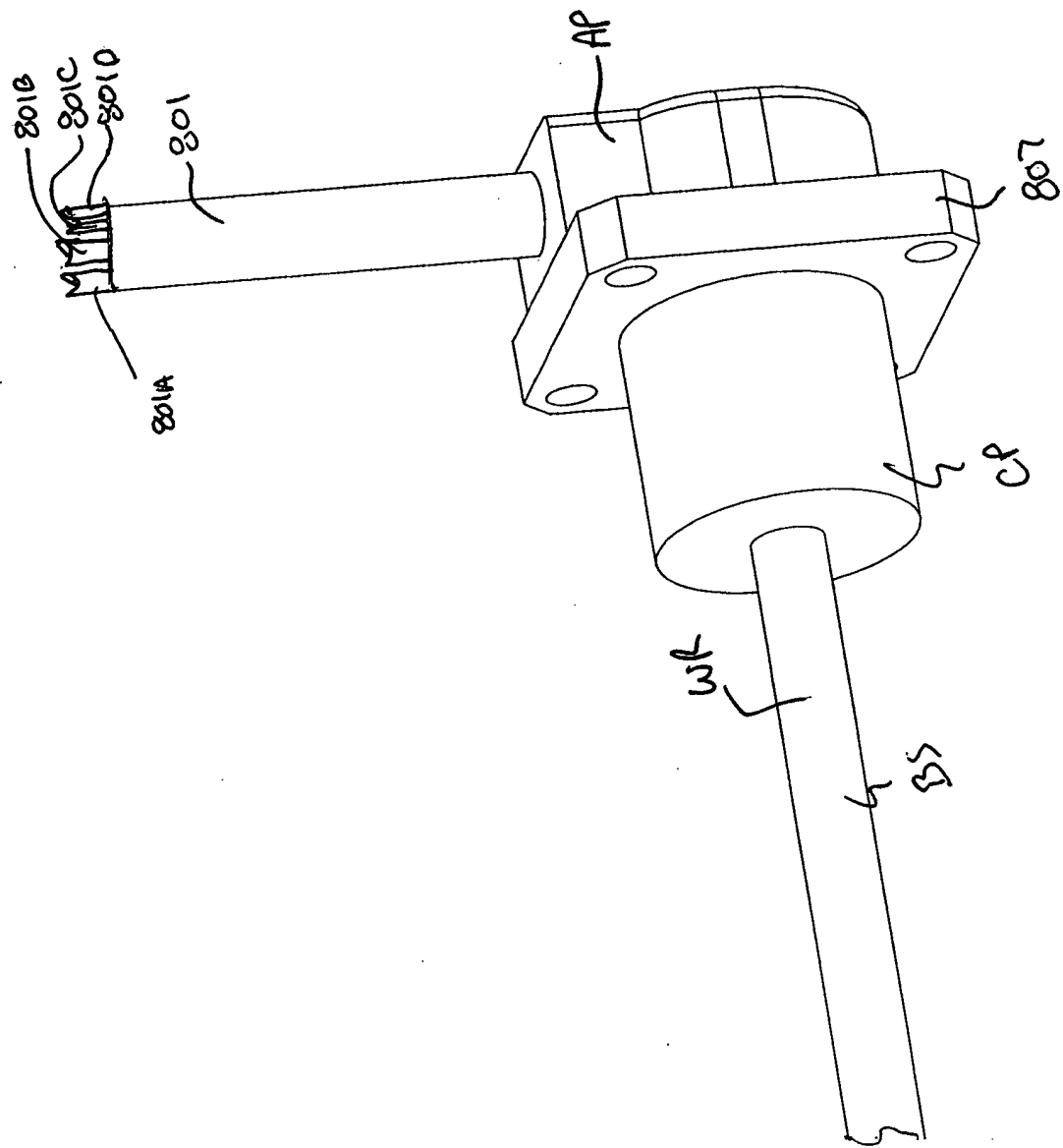


FIG. 109

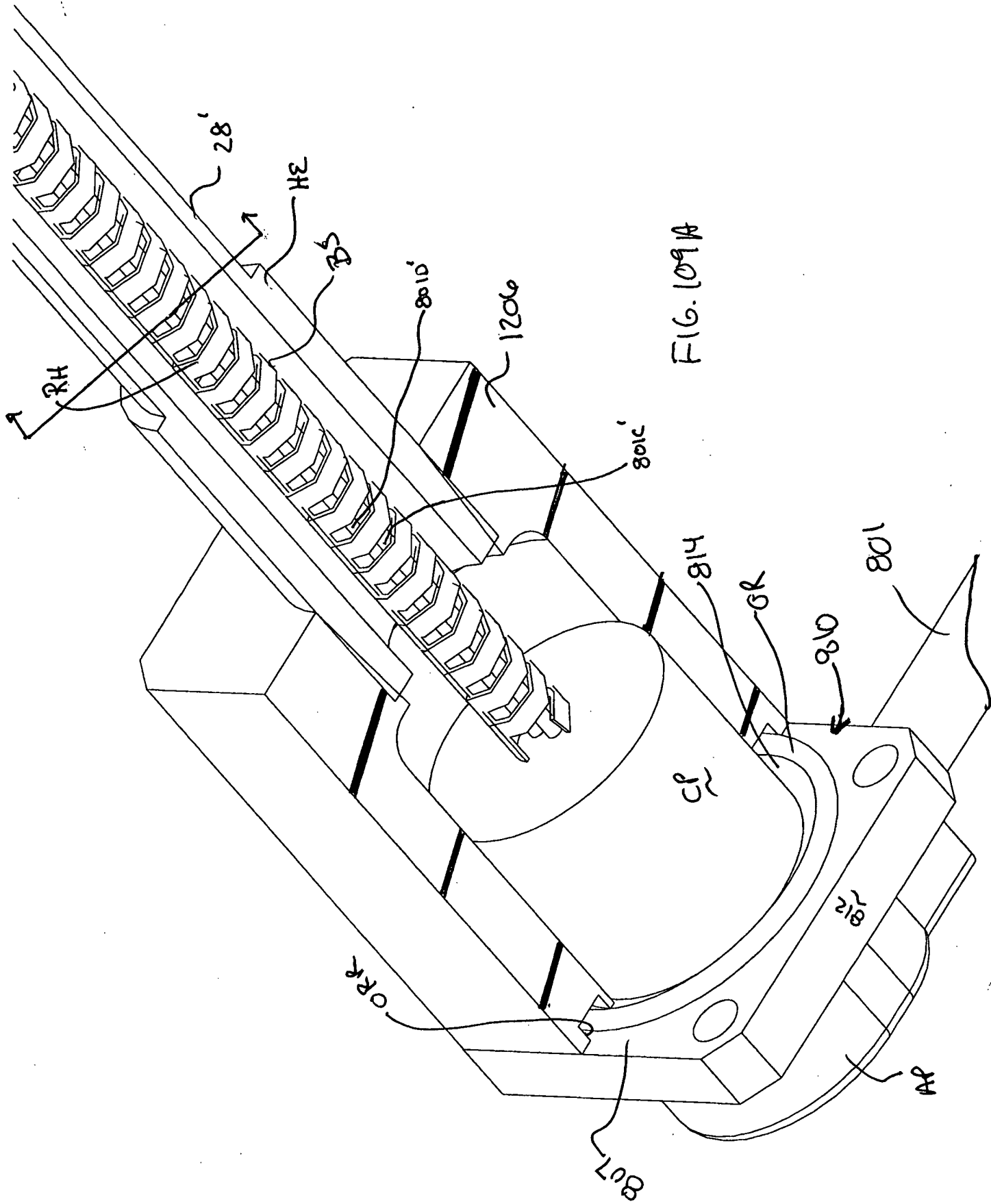
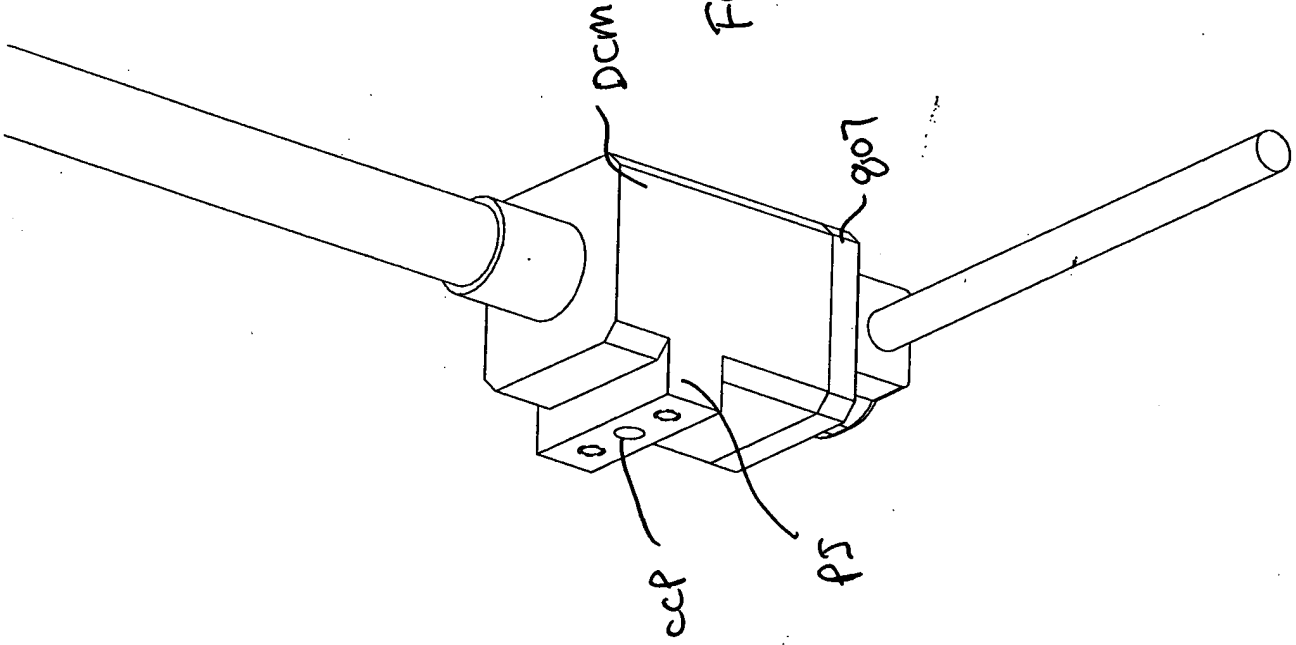
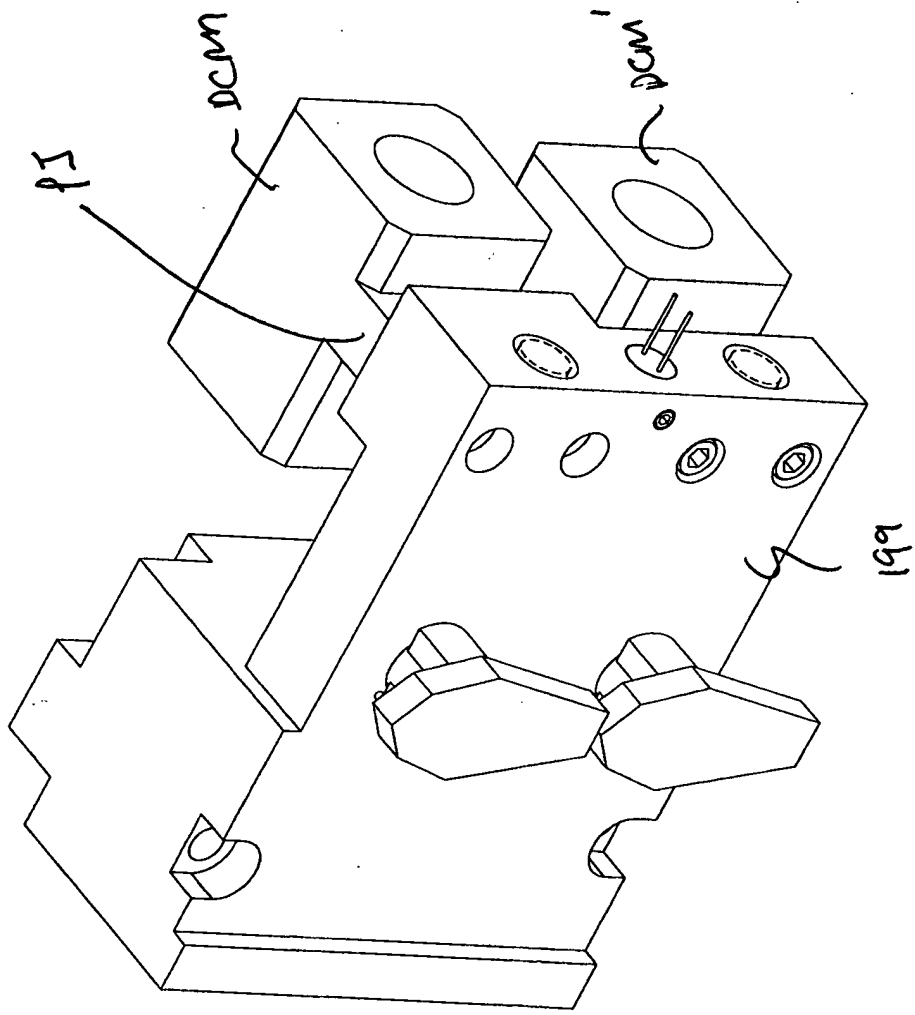


FIG. 1091A



FIG. 109B





109C

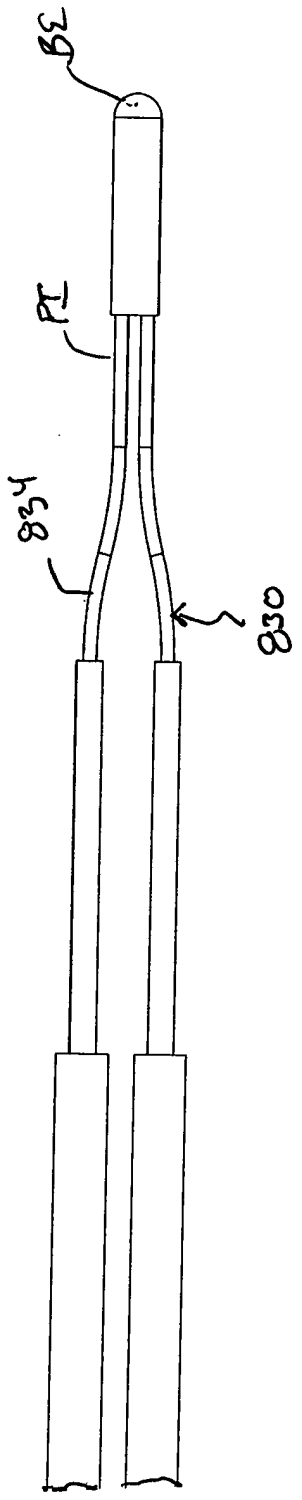


FIG. 110

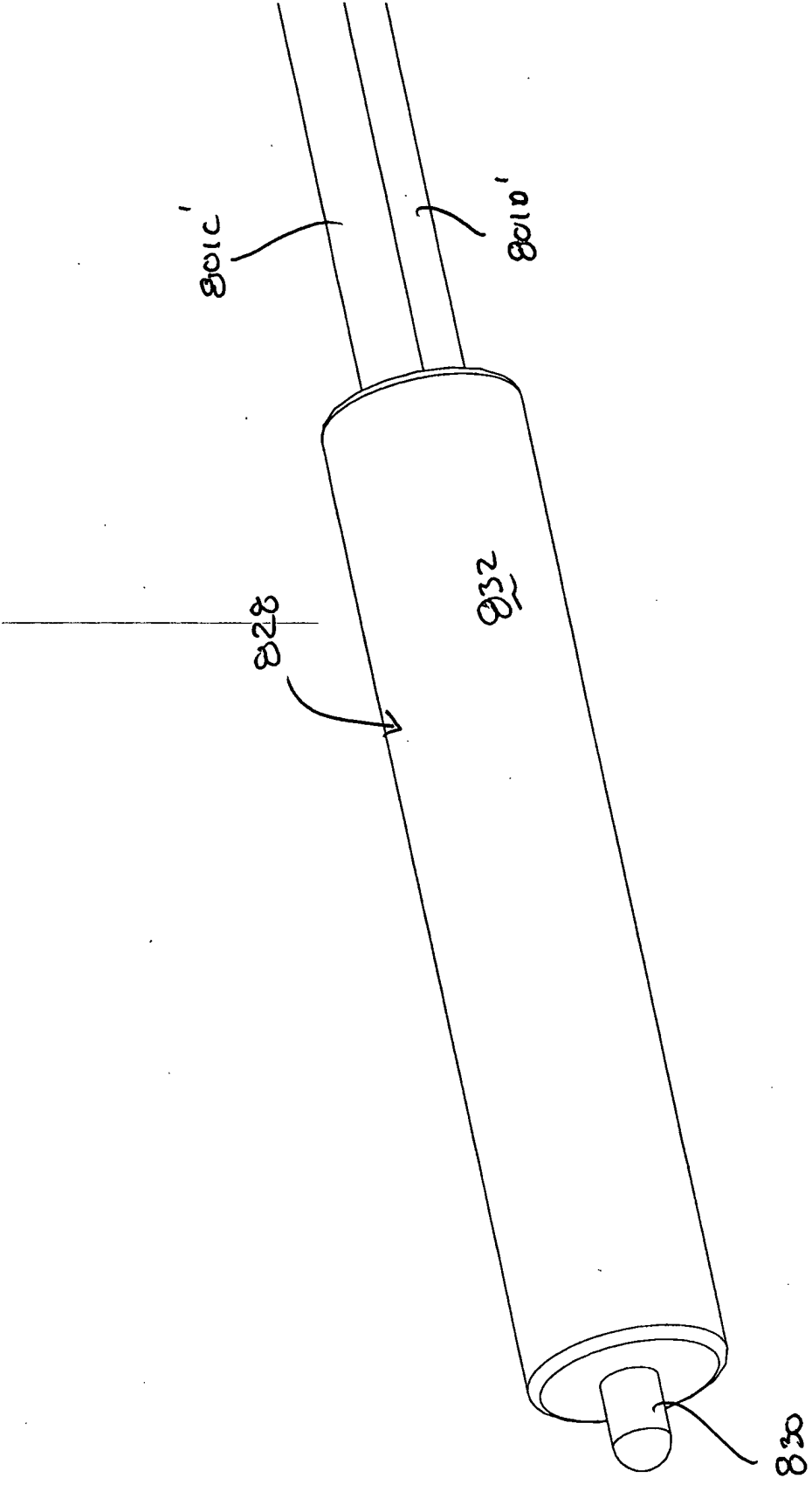


FIG. 110A

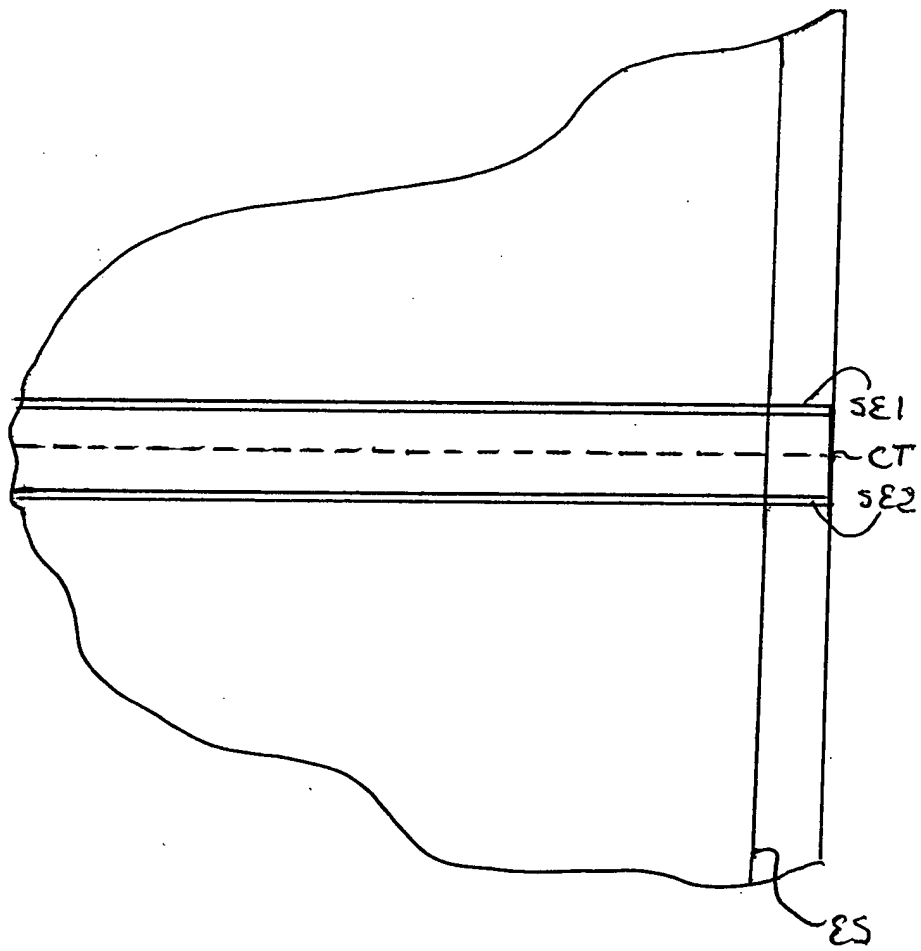


FIG. 111

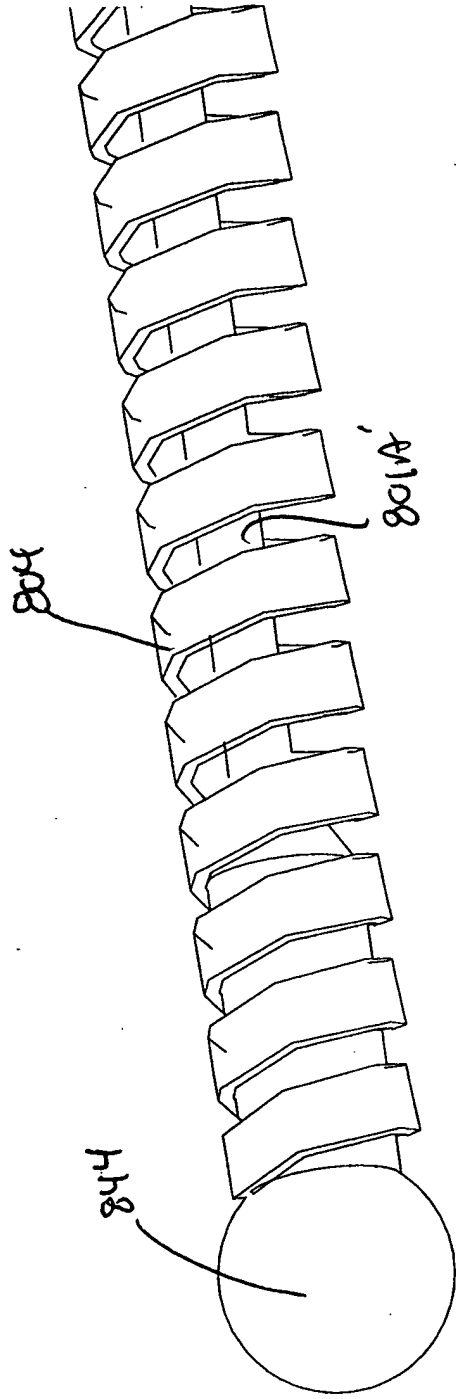


FIG. 112

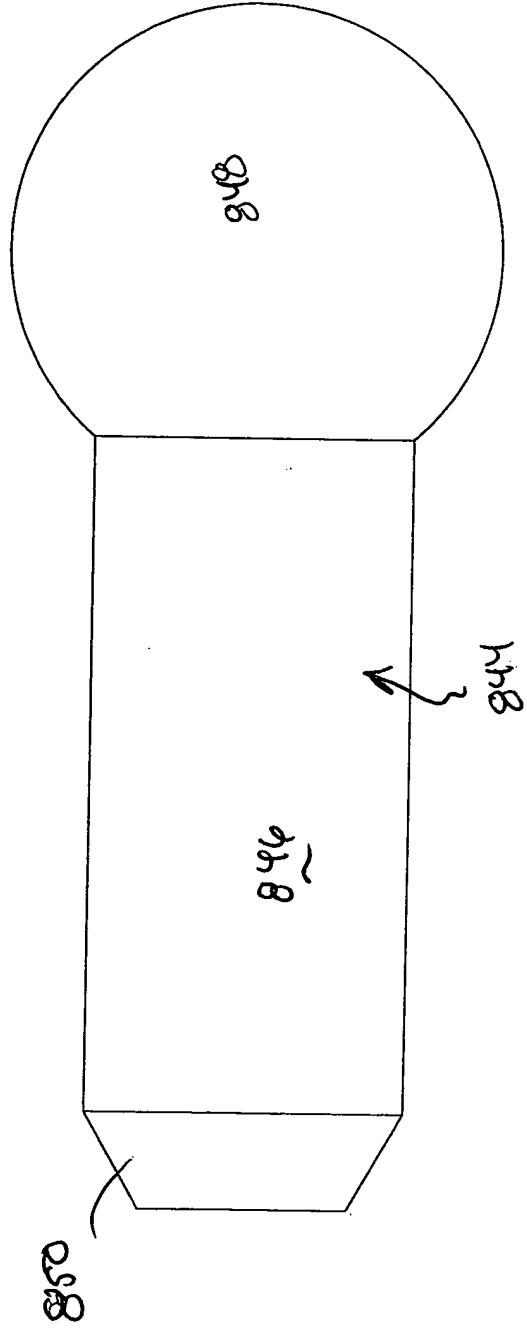


FIG. 113

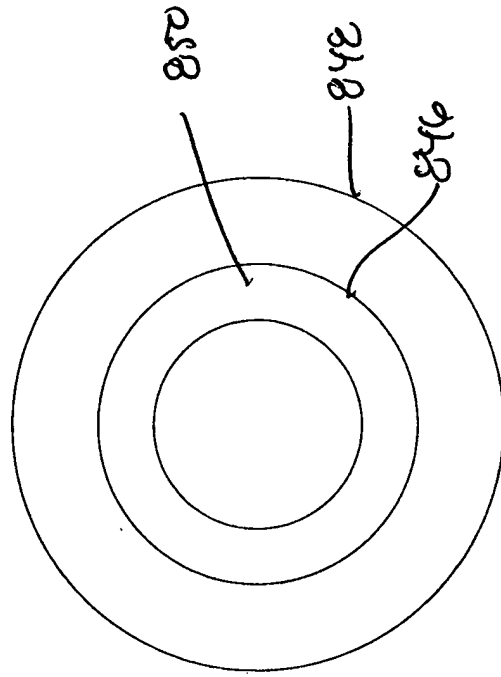


FIG. 113A



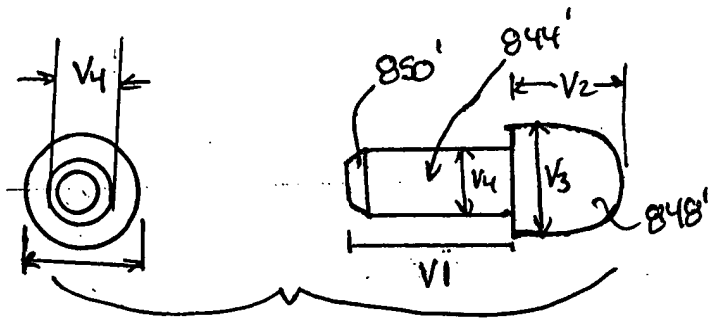


FIG. 114

FIG. 115

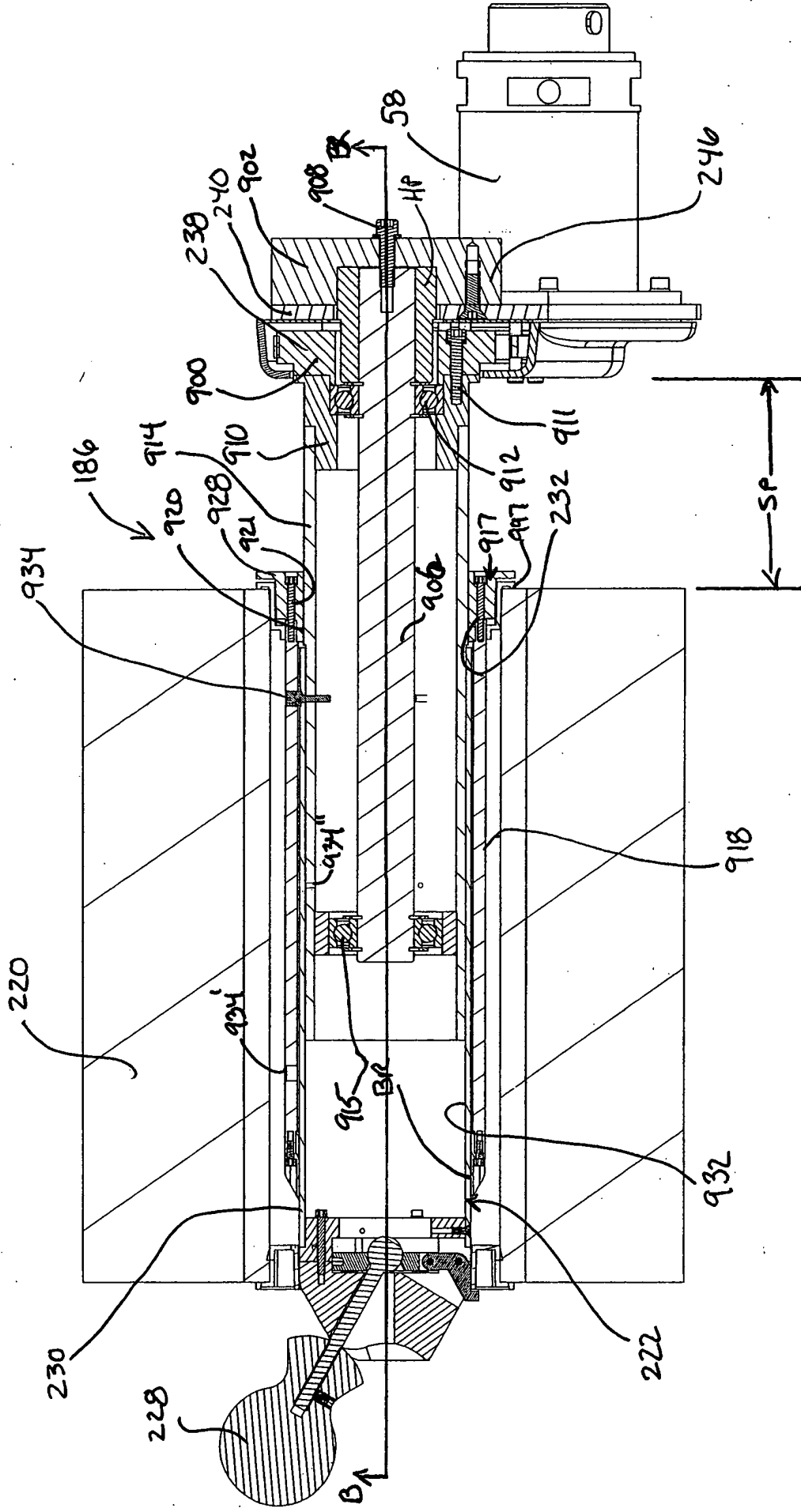
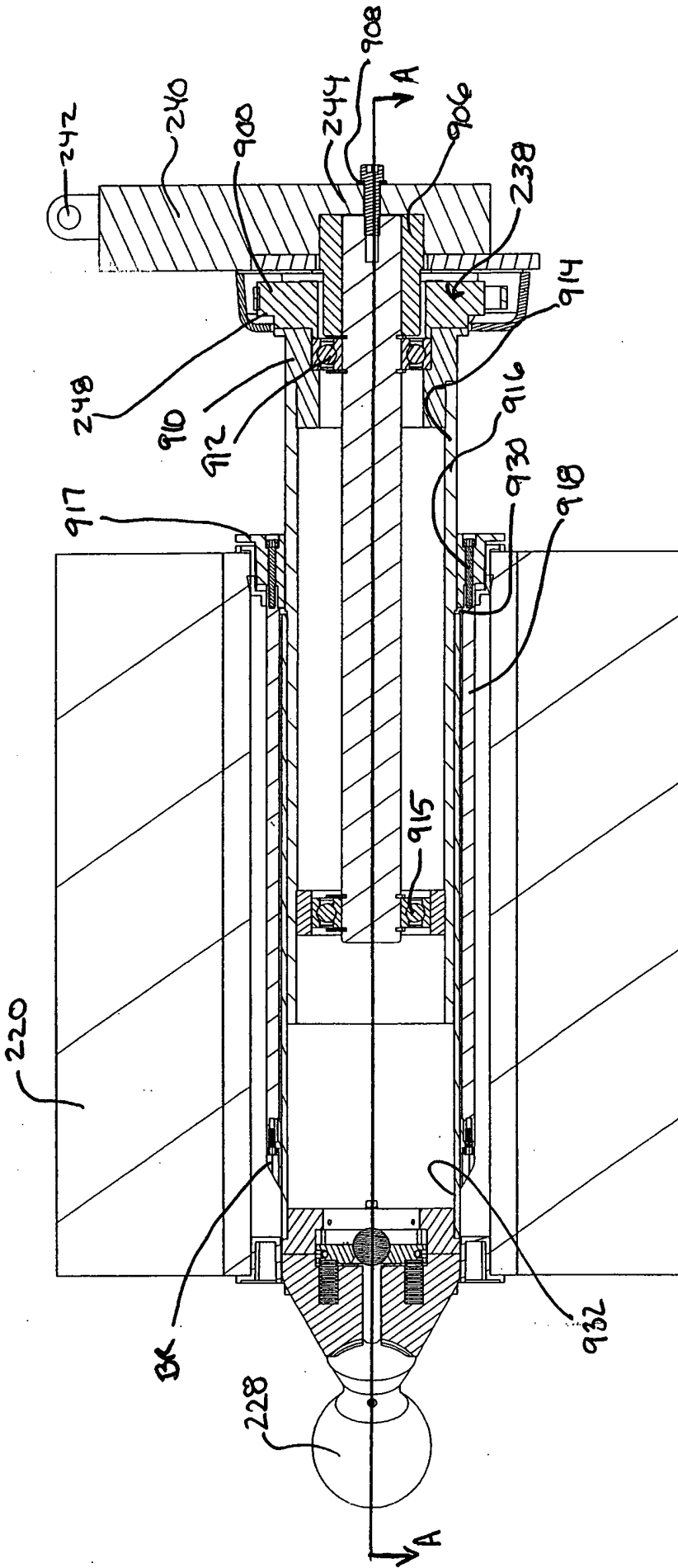
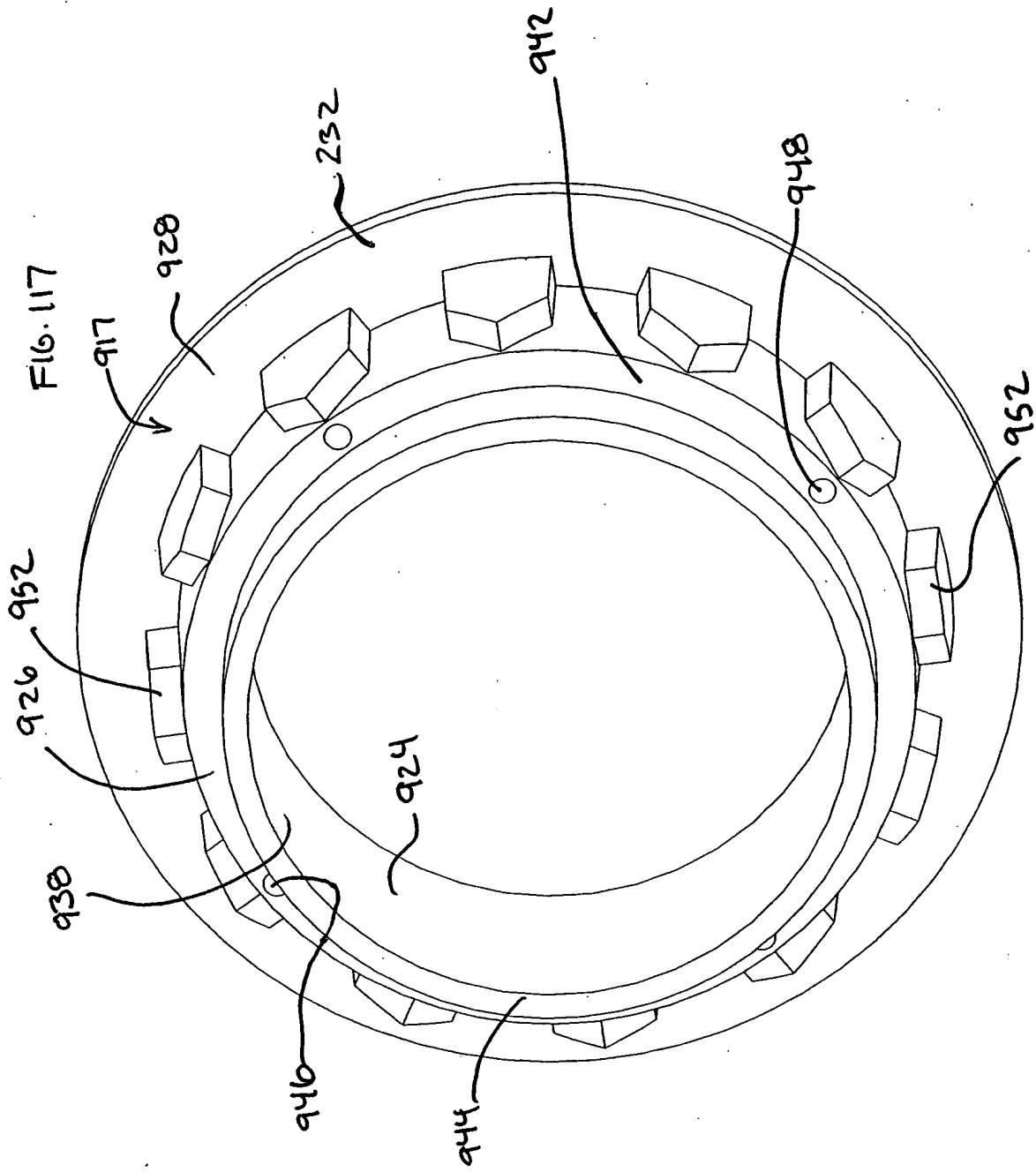


FIG. 116





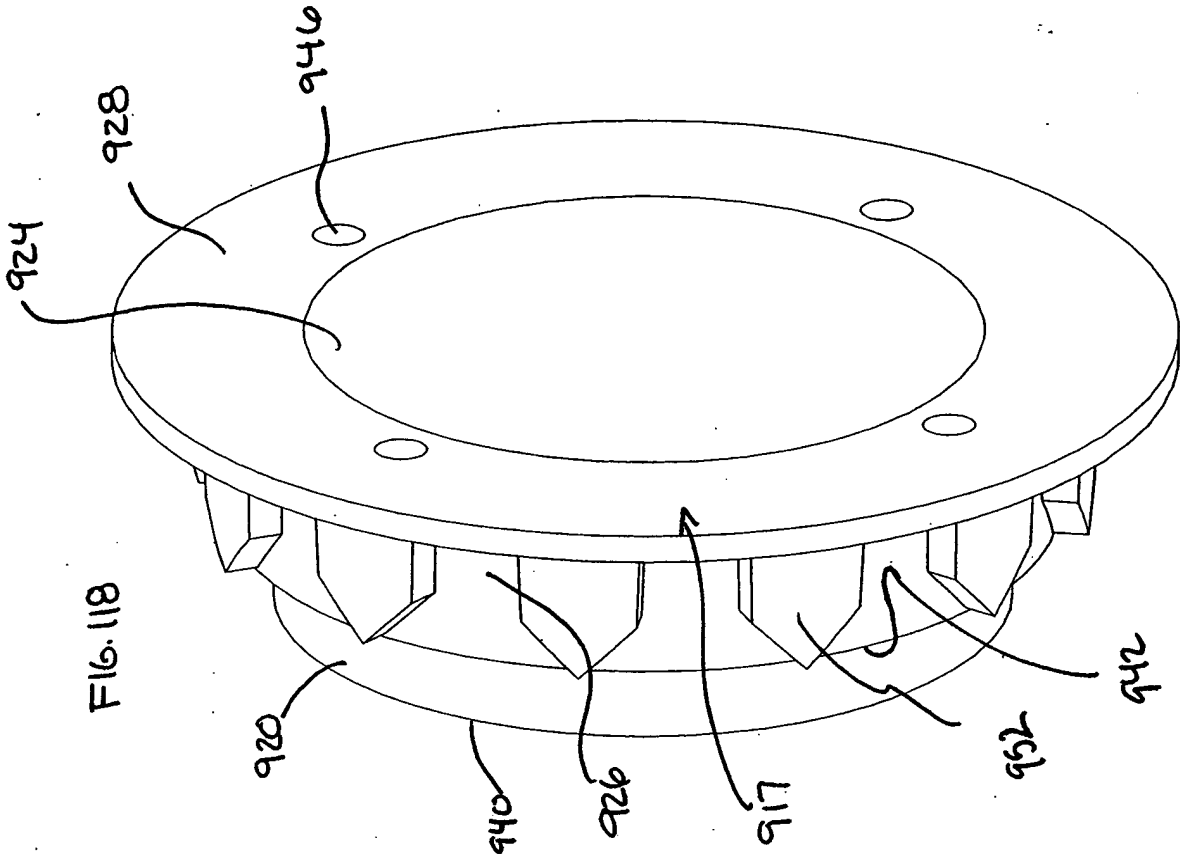


FIG. 118

FIG. 11A

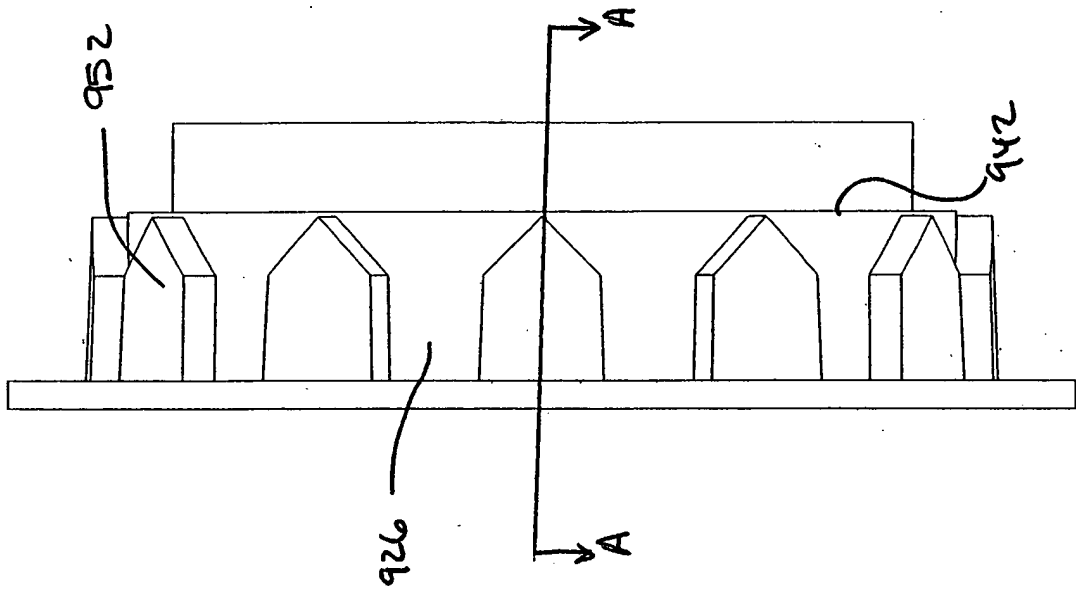
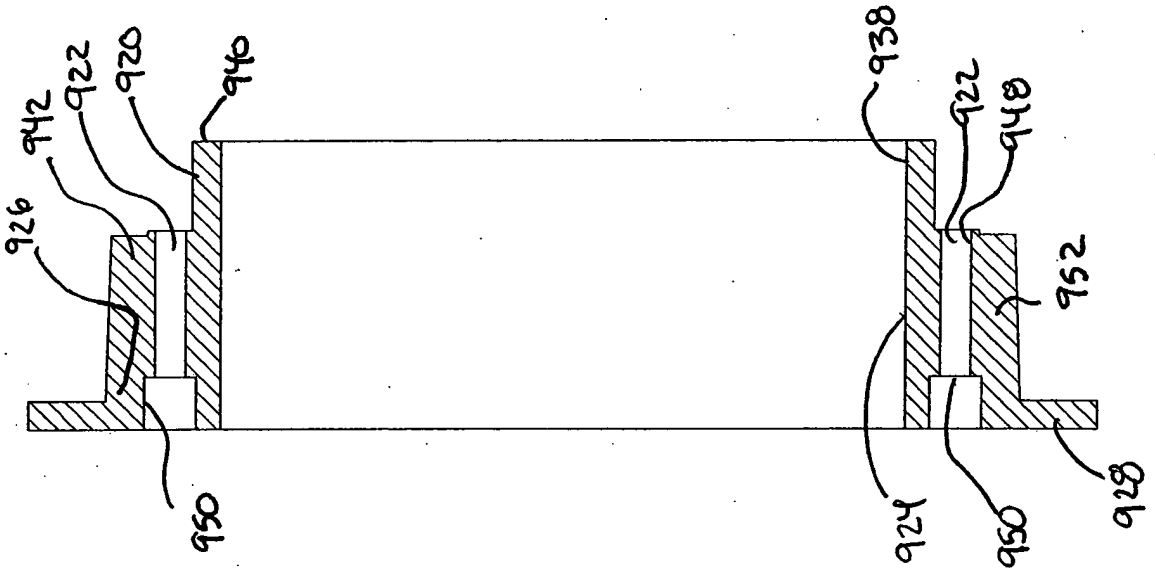


FIG. 120



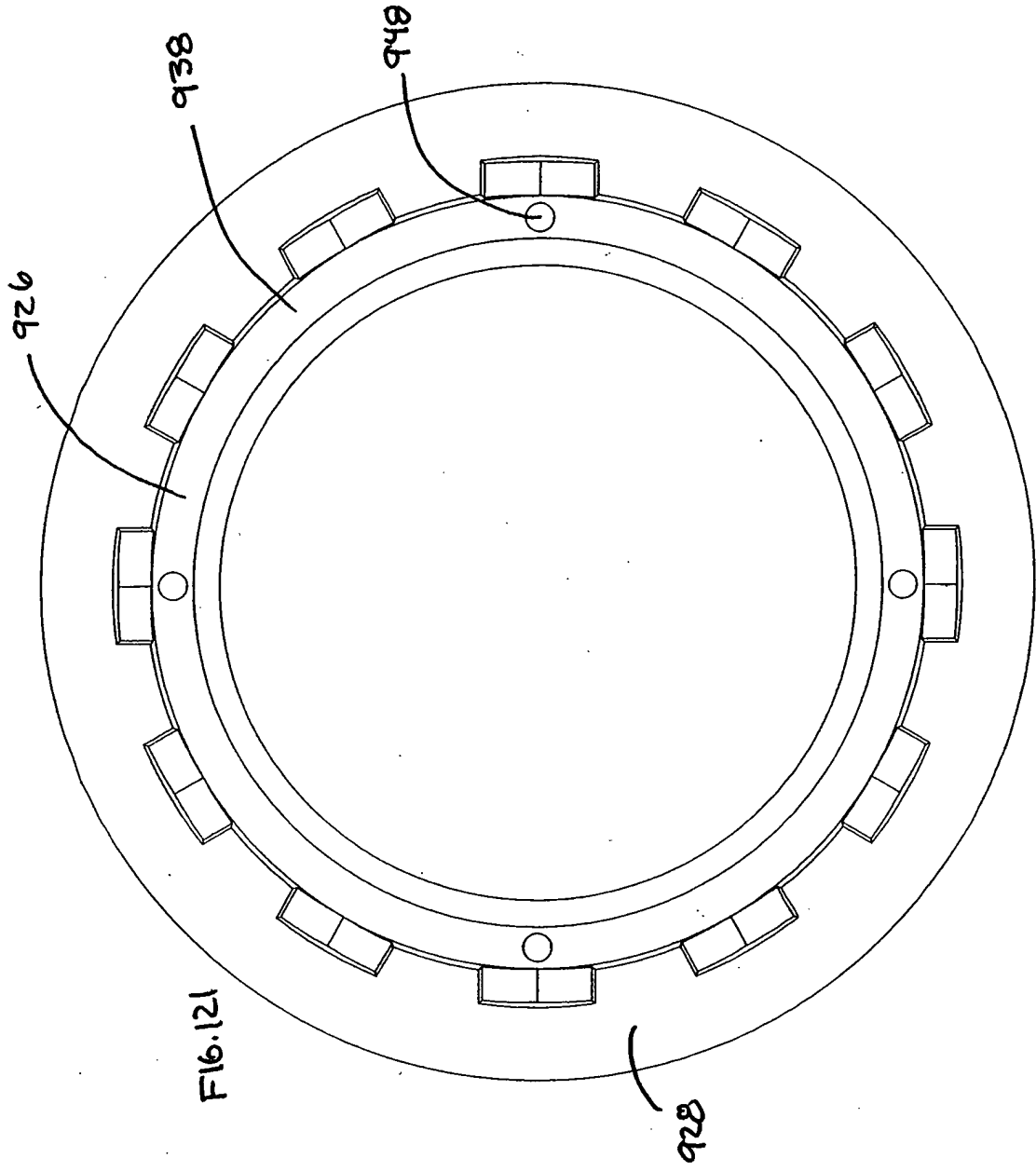


FIG. 121



FIG. 122

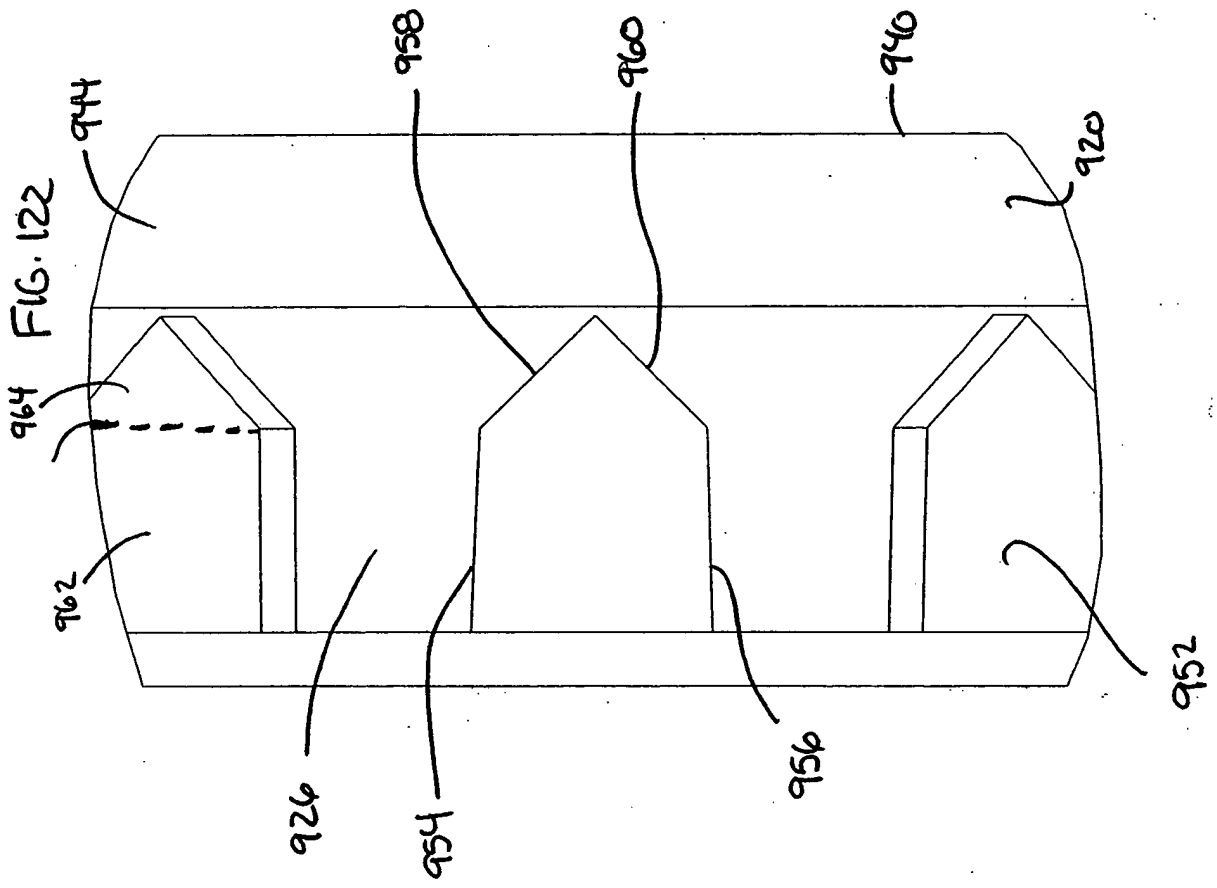
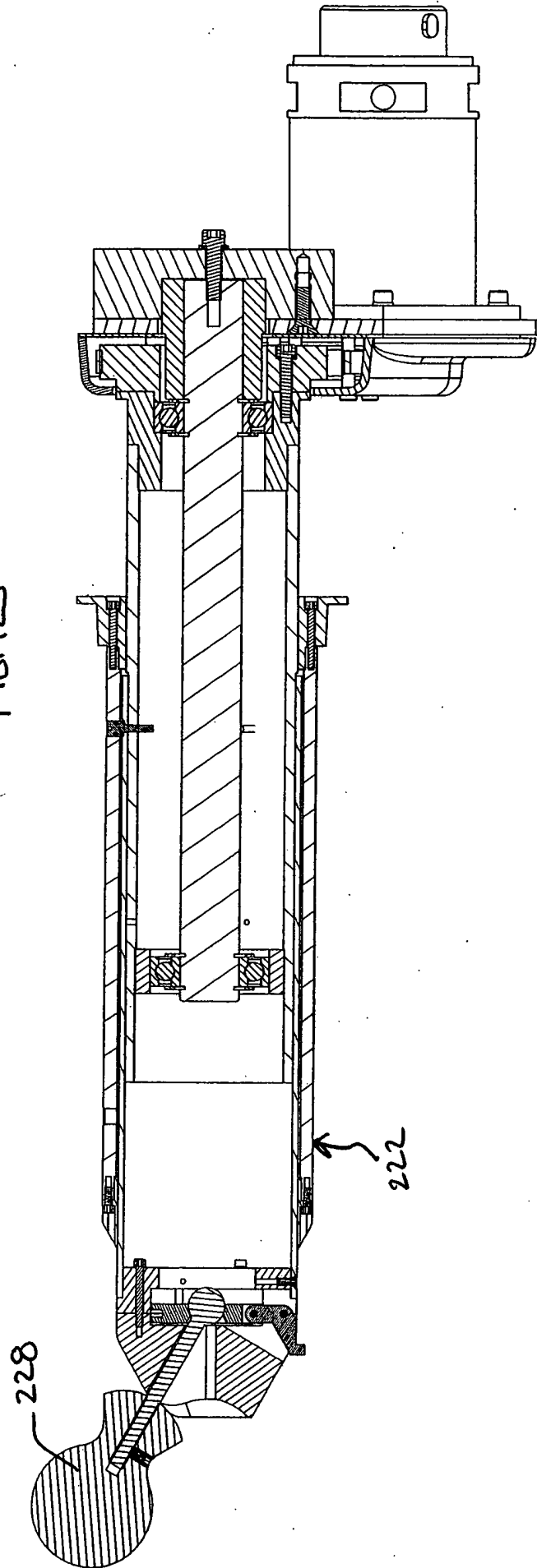


FIG. 123



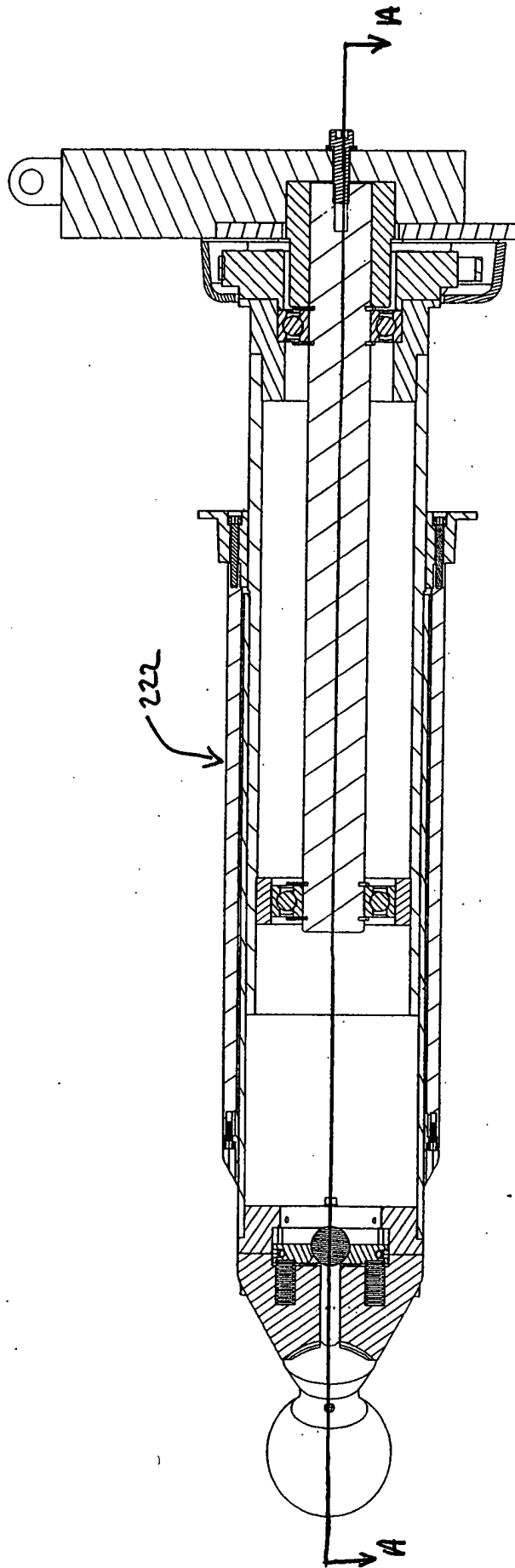


FIG. 124

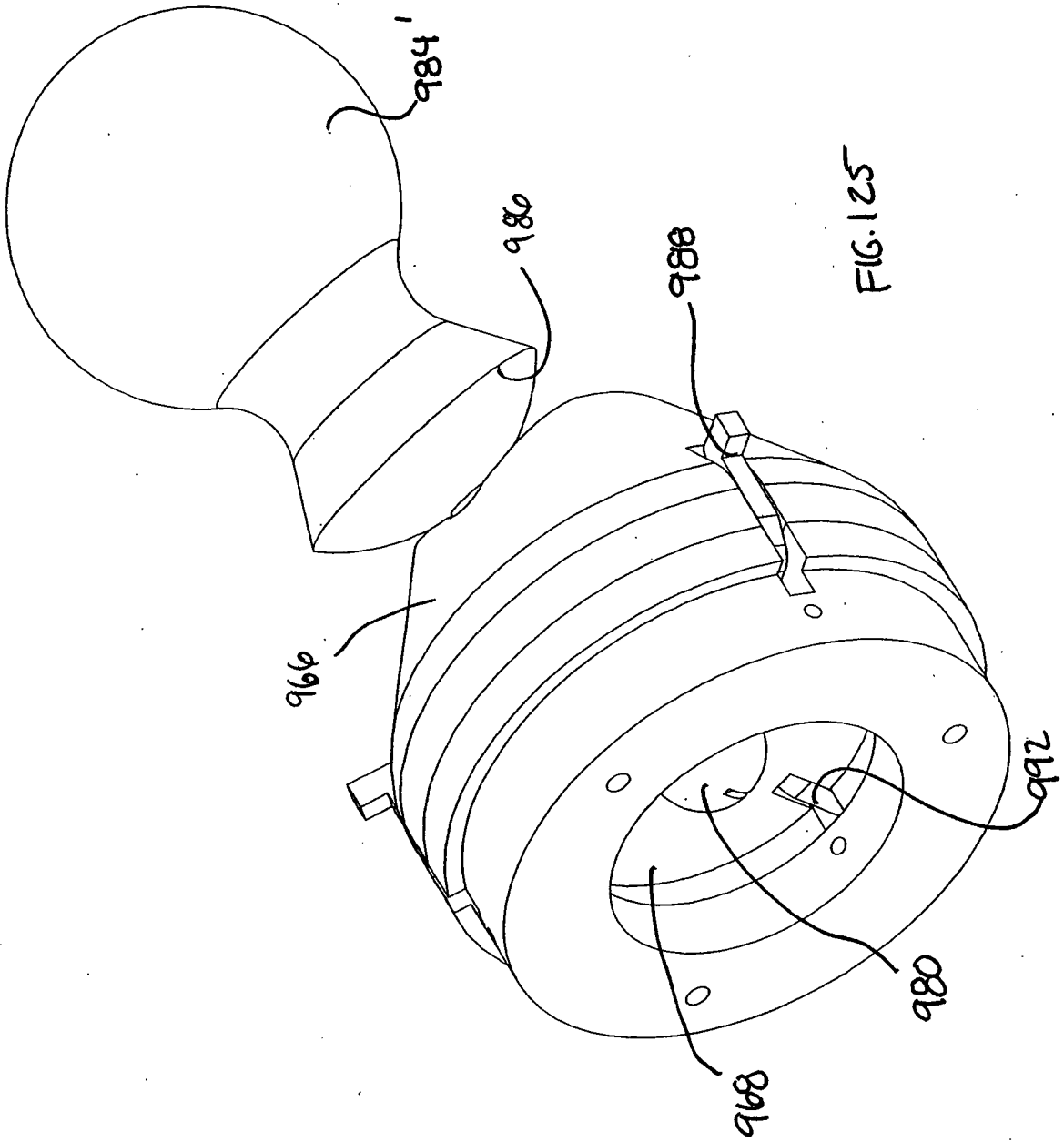


FIG. 125

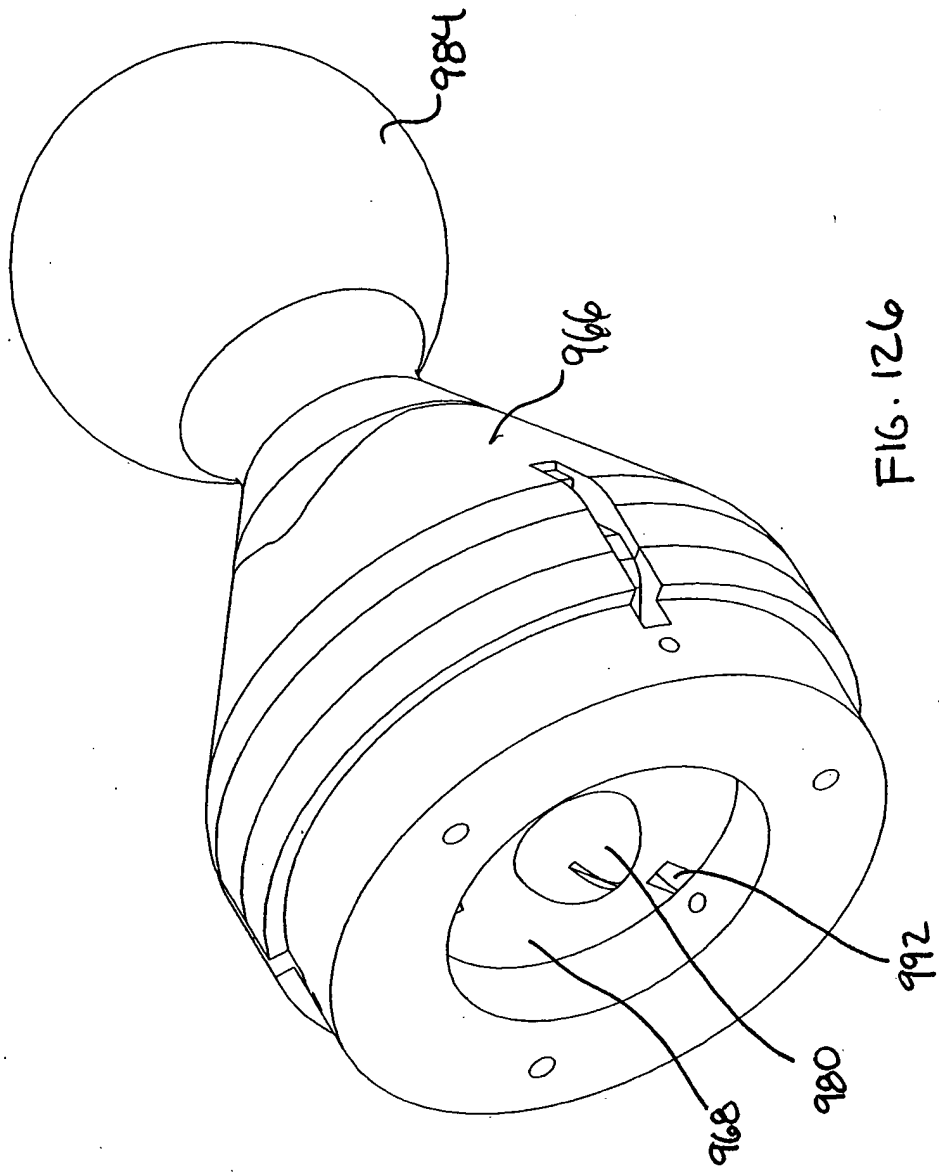


FIG. 126

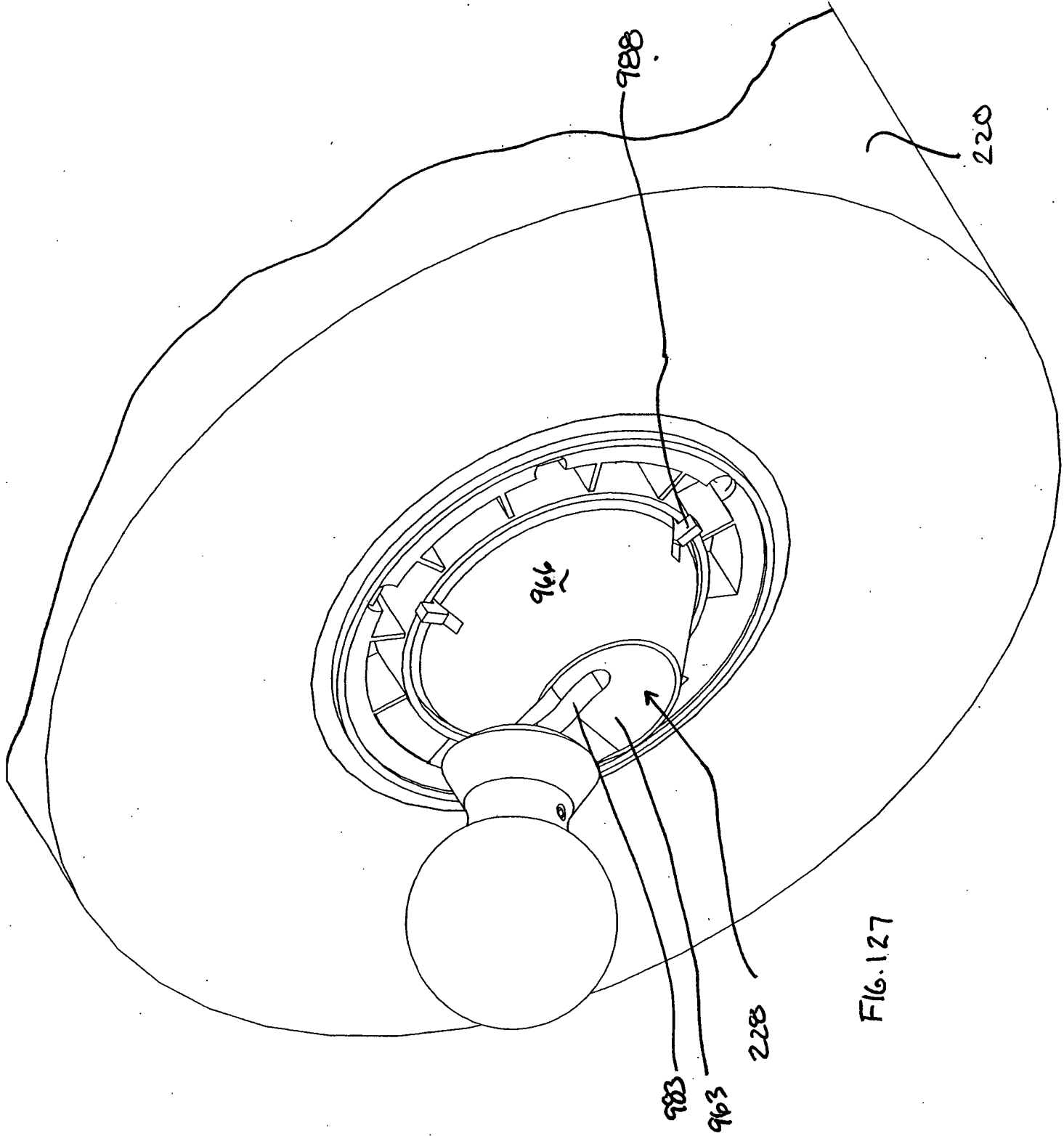
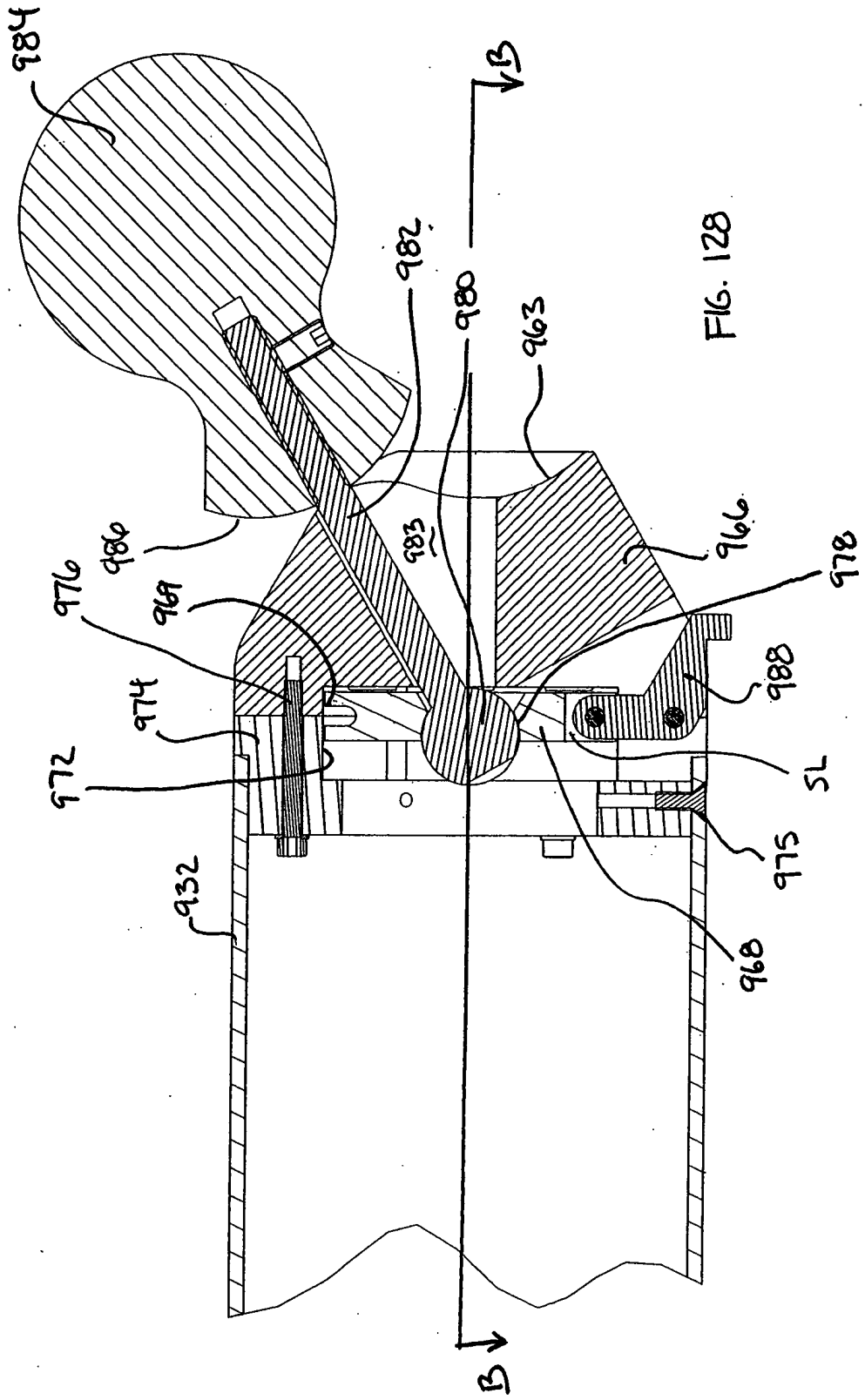


FIG. 127



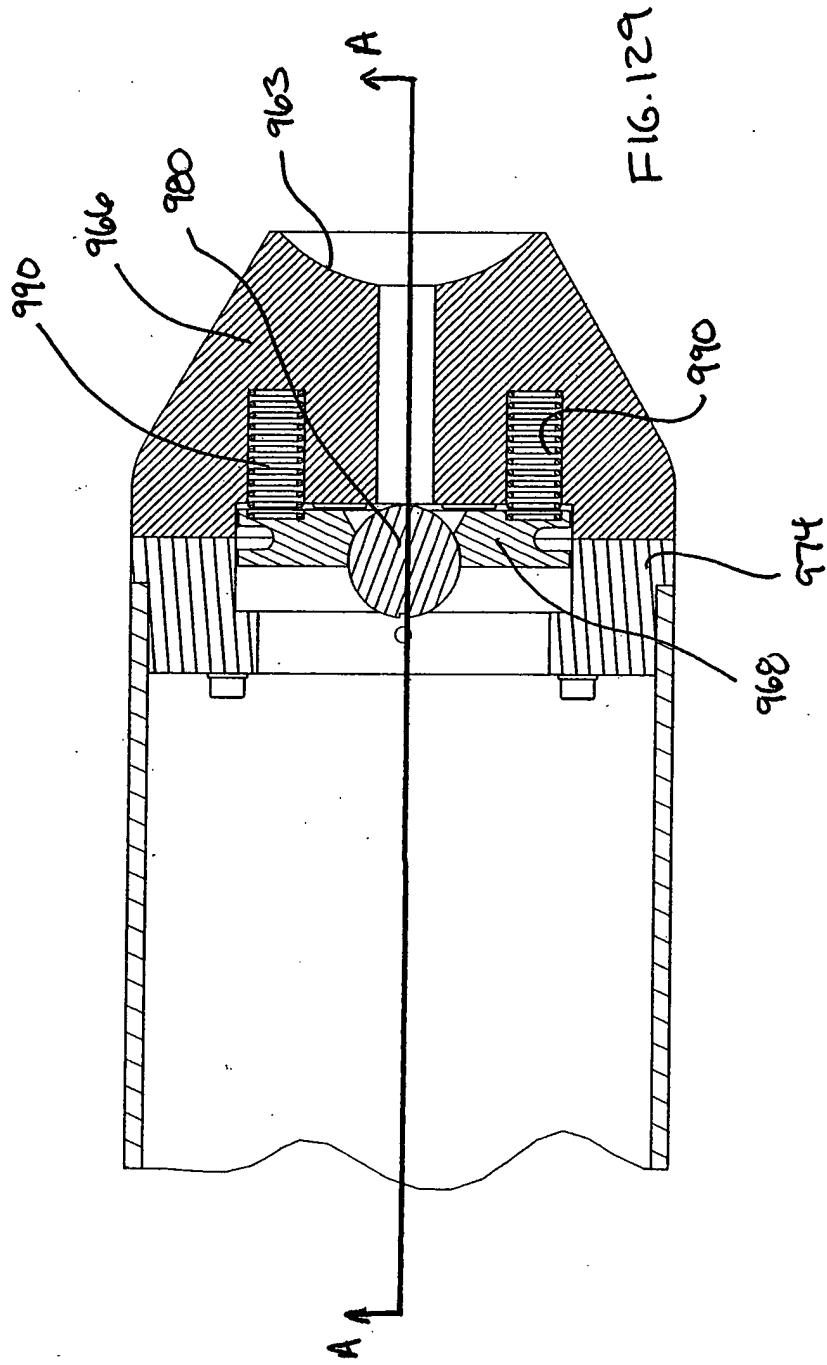


FIG. 129



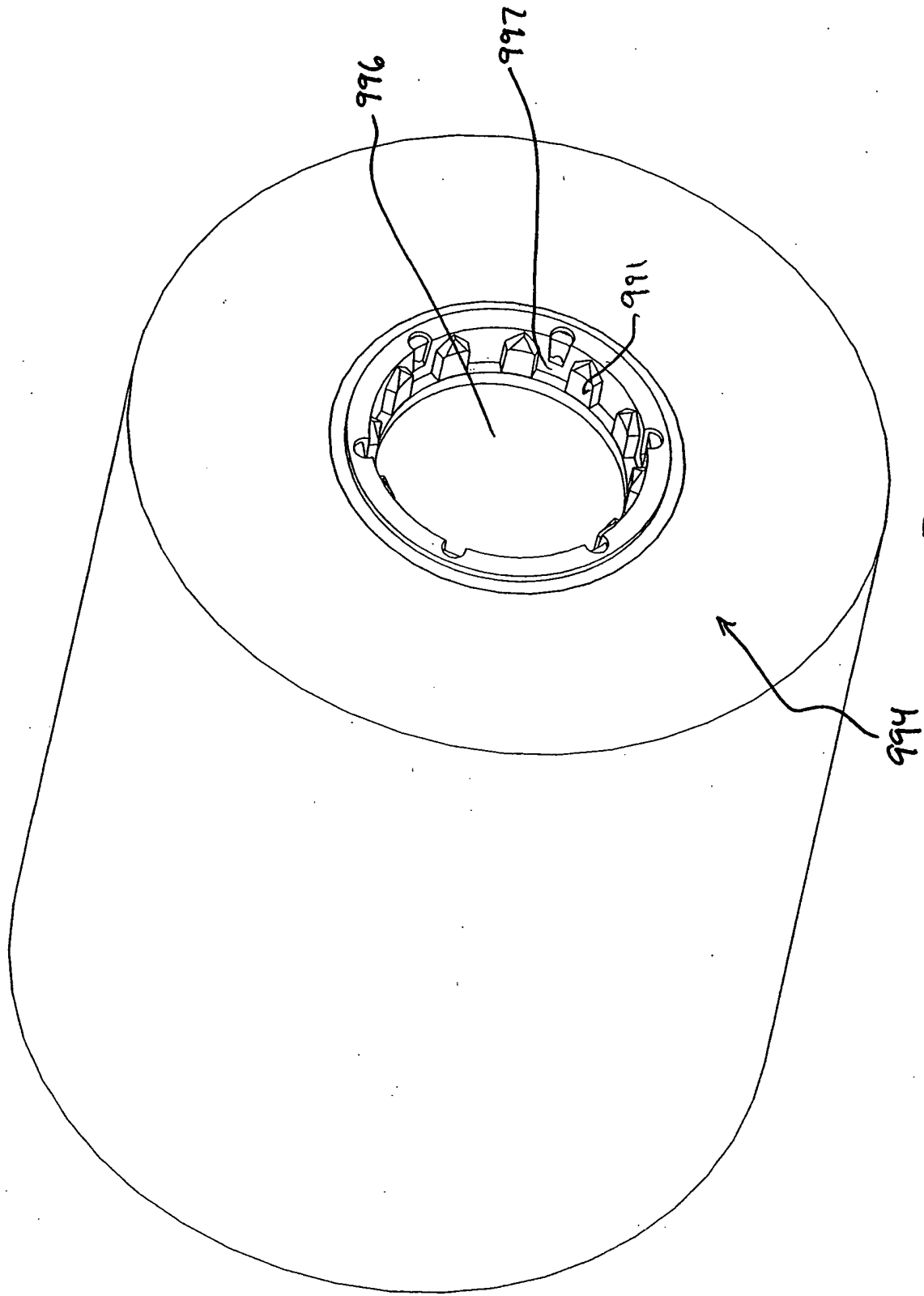


FIG. 130

FIG. 13

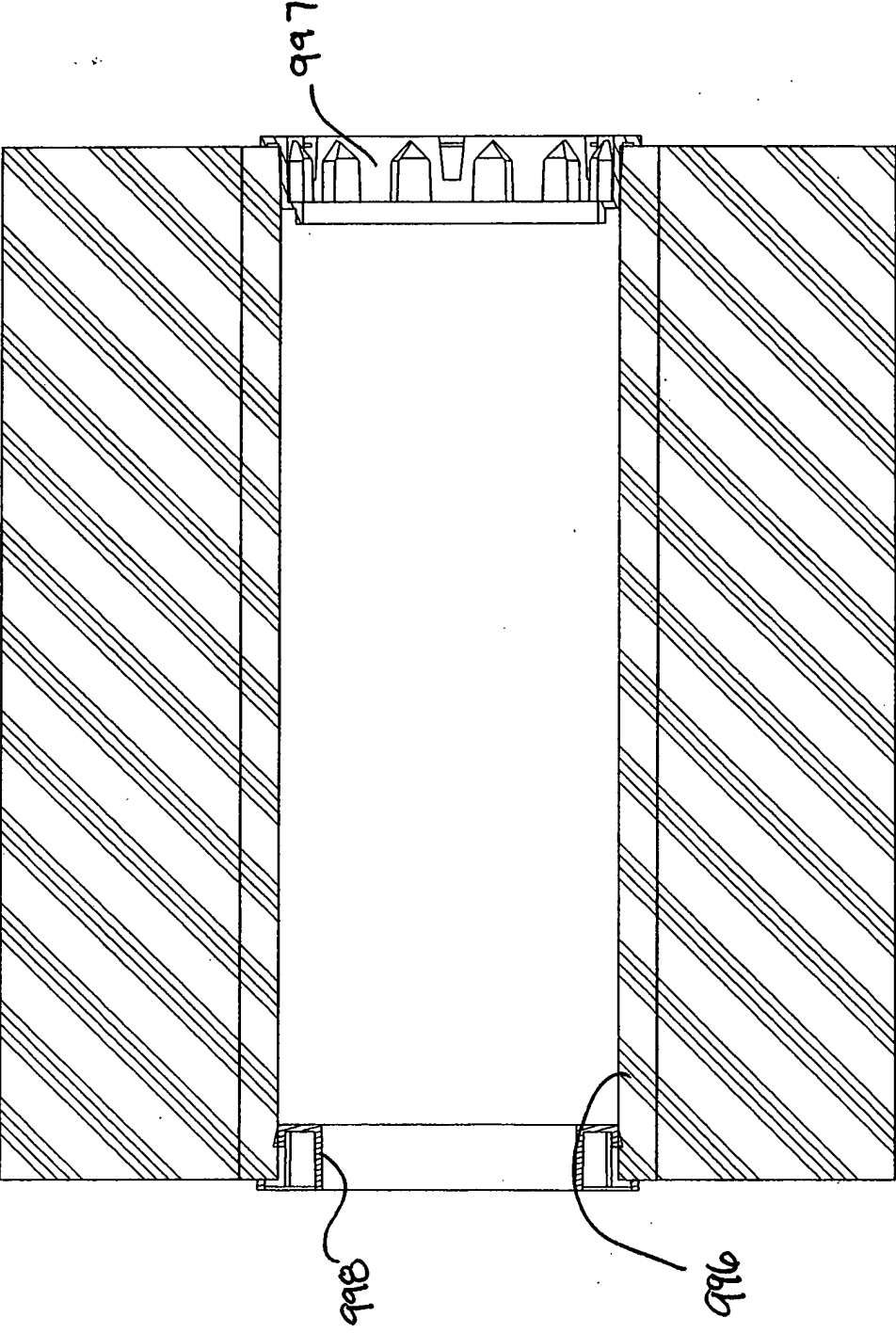
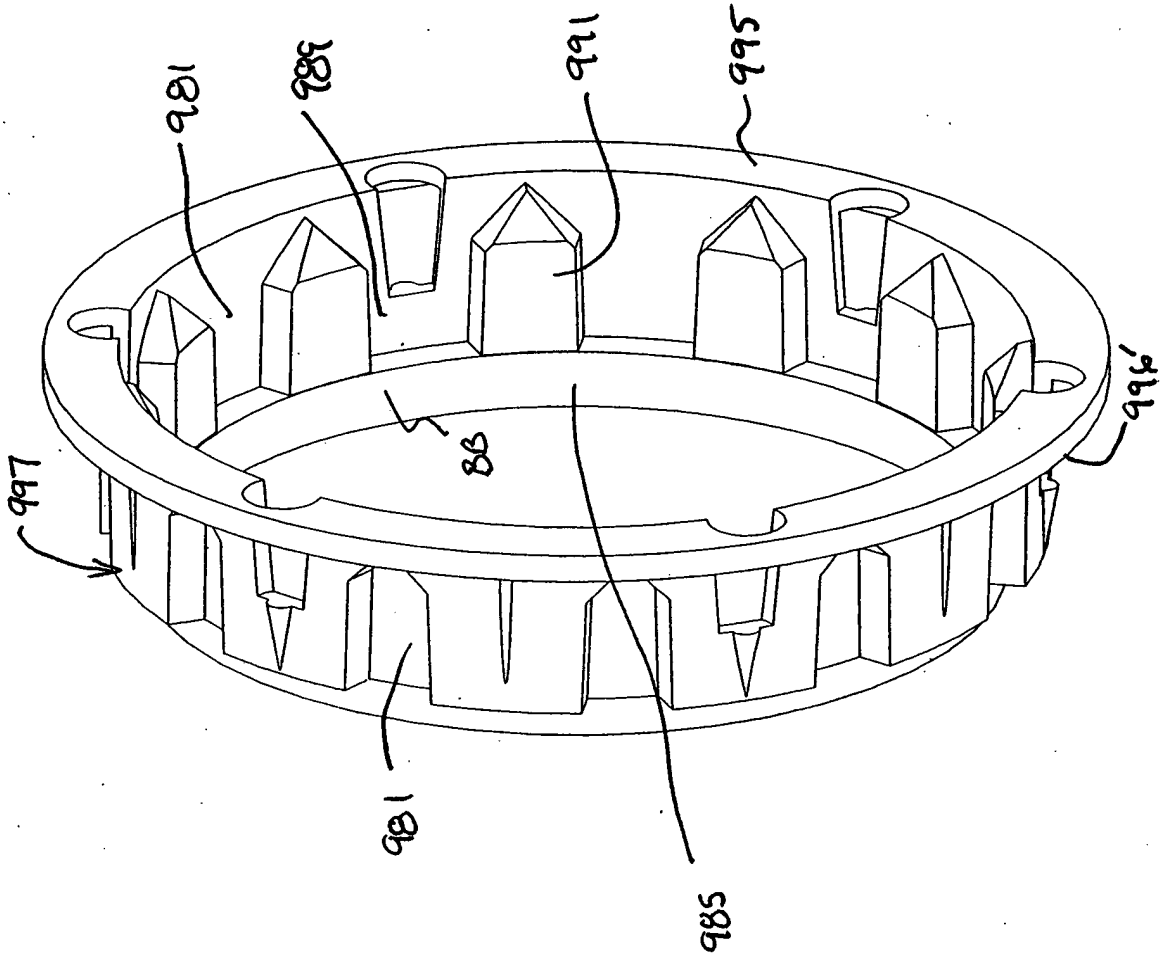


FIG. 132



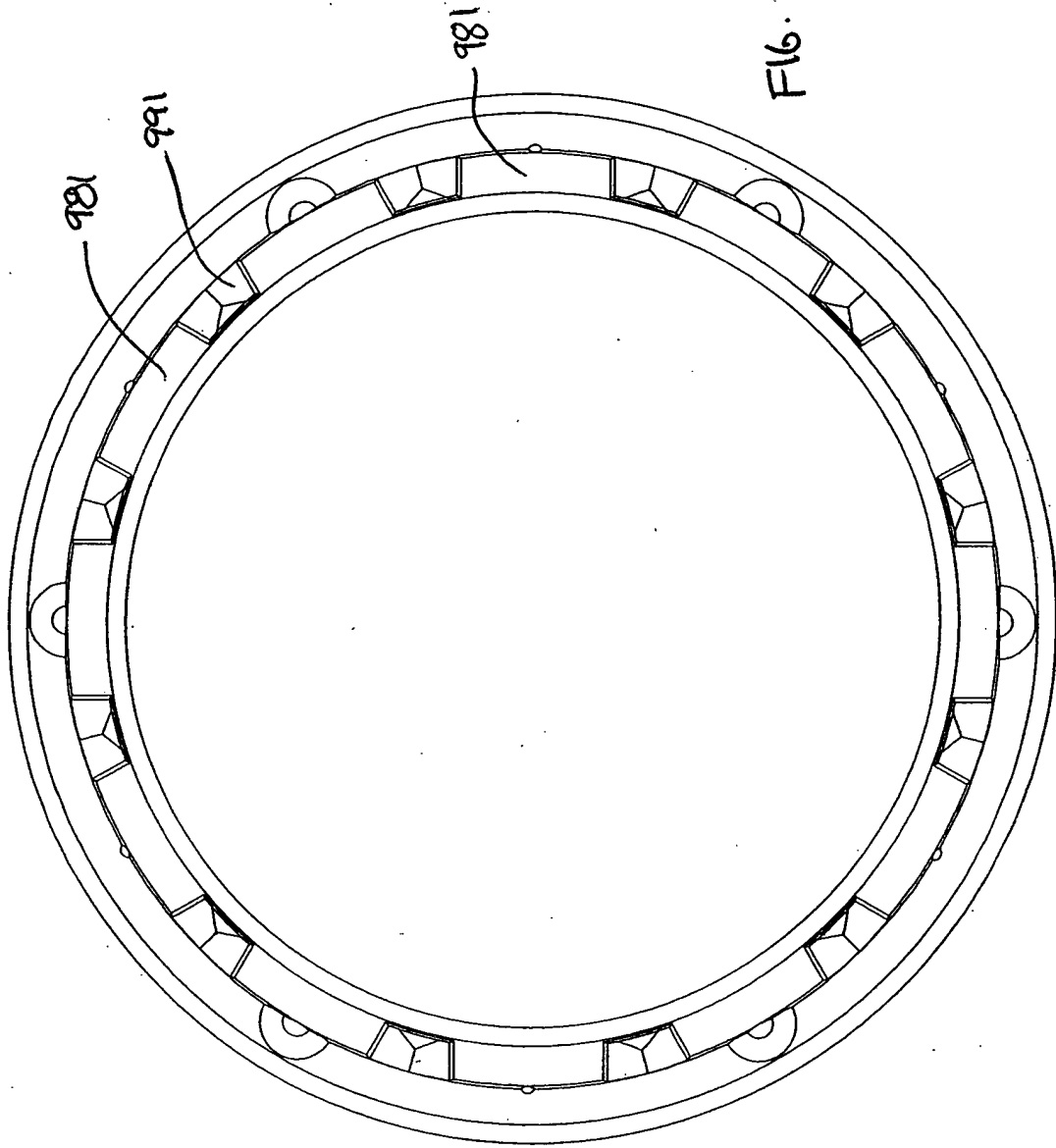
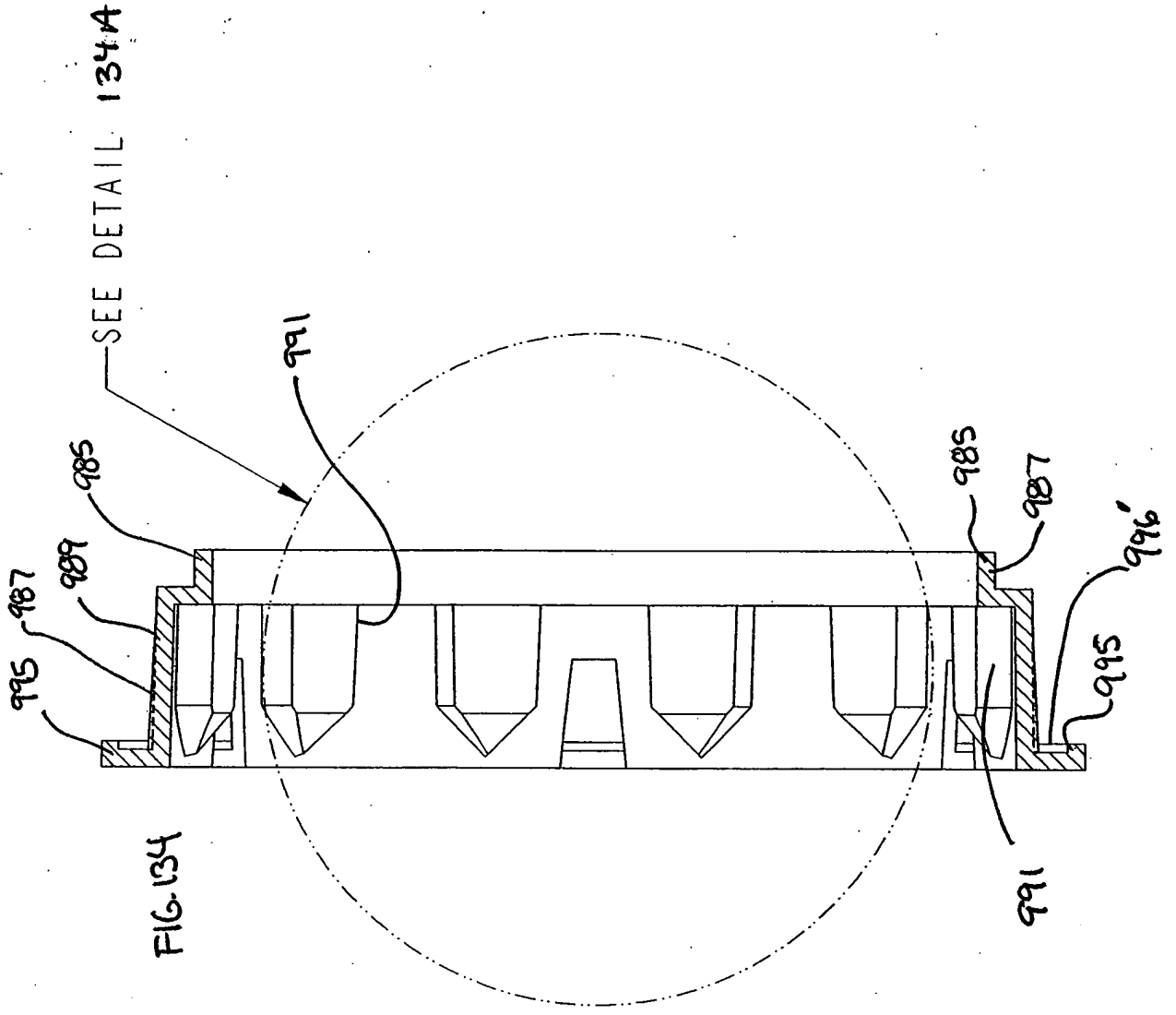


FIG. 133



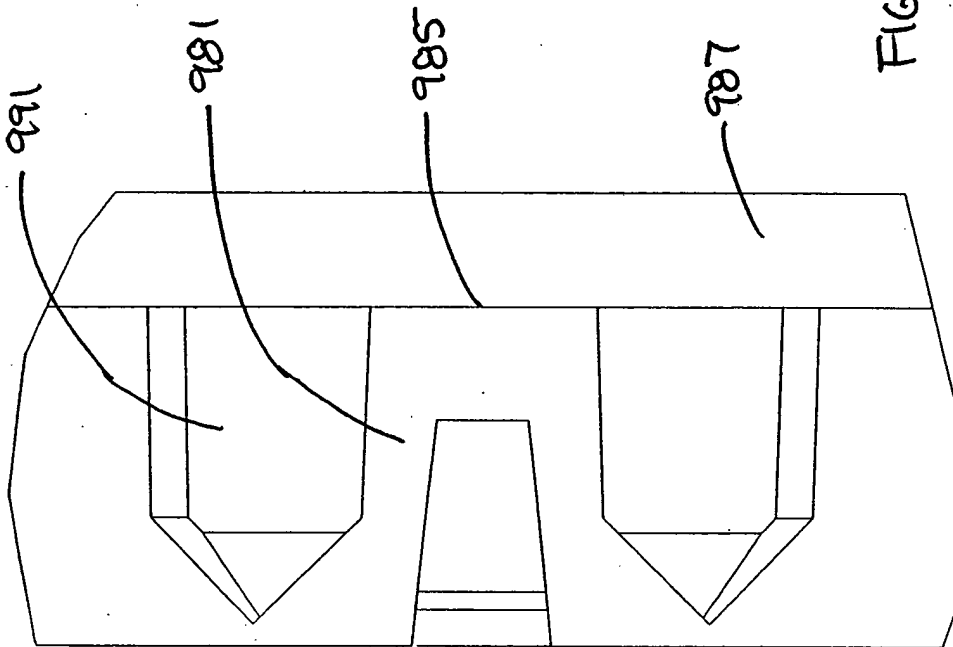


FIG. 134A

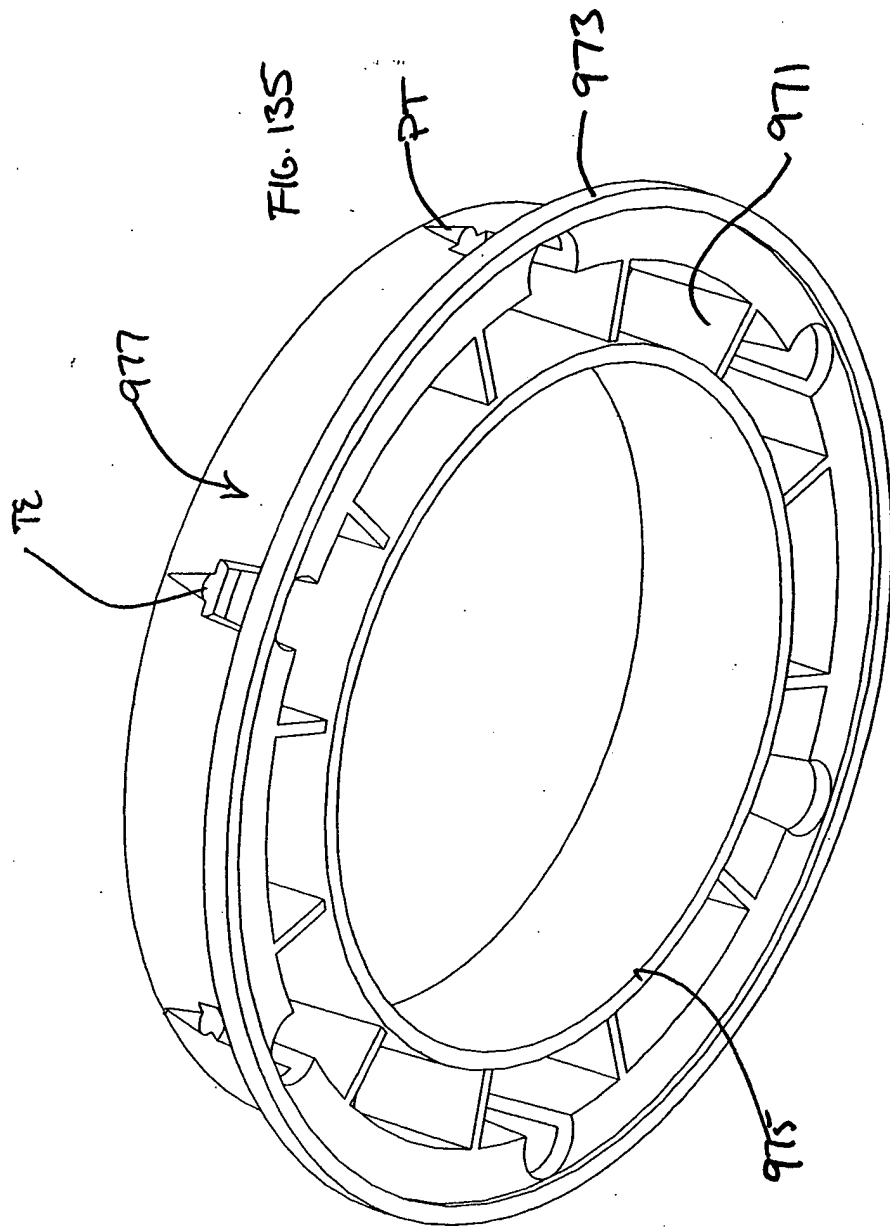


FIG. 135

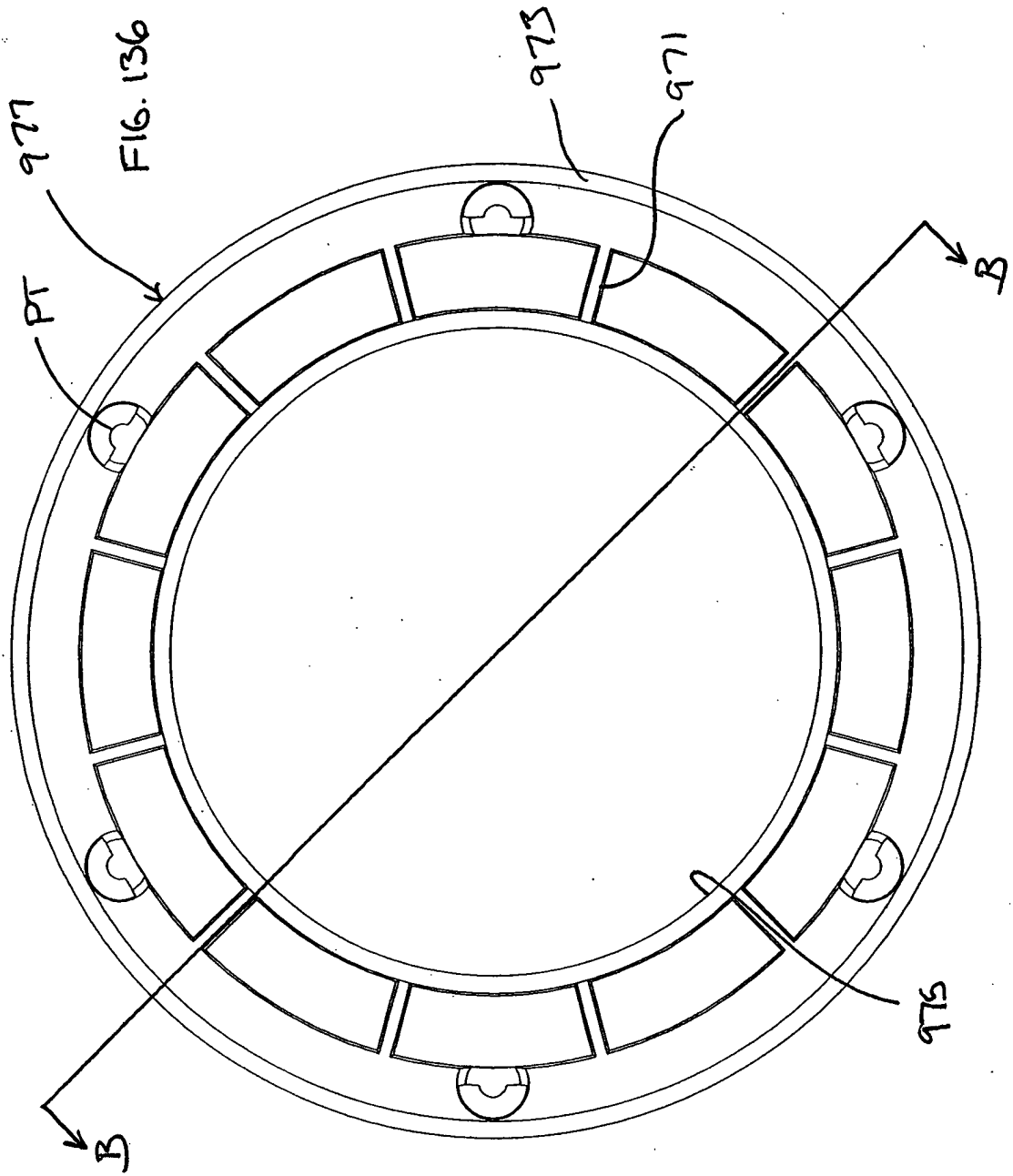




FIG. 137

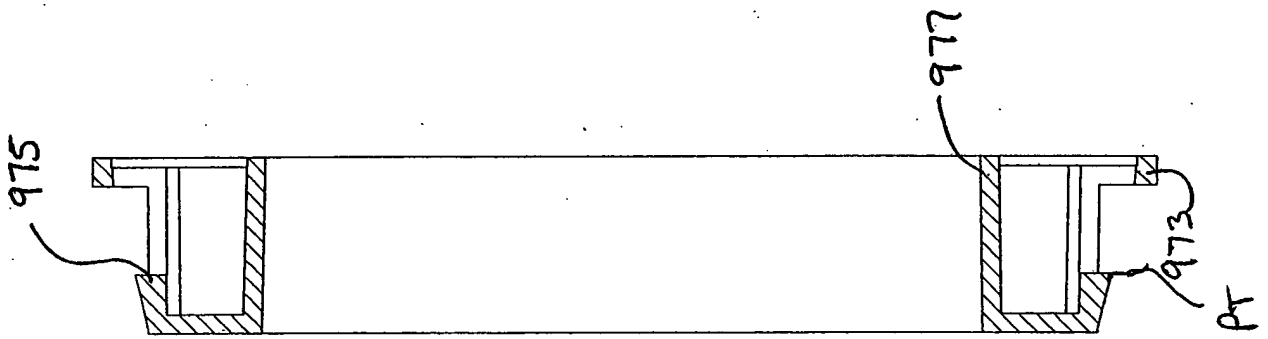


FIG. 138

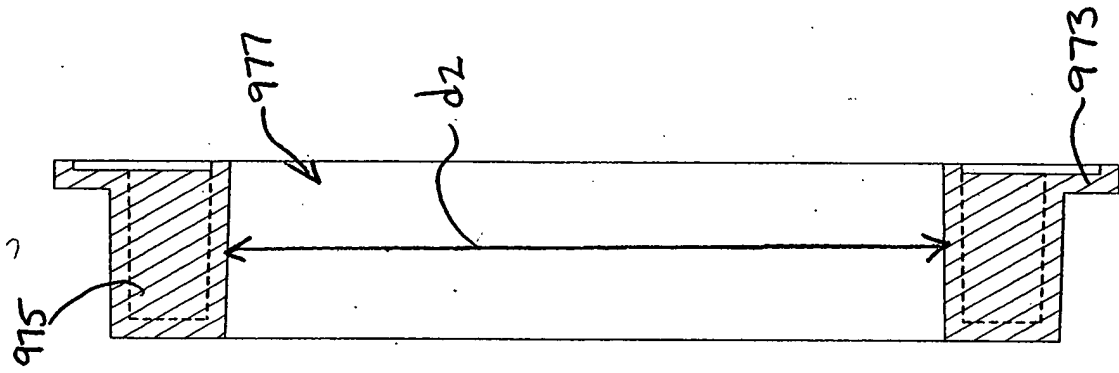
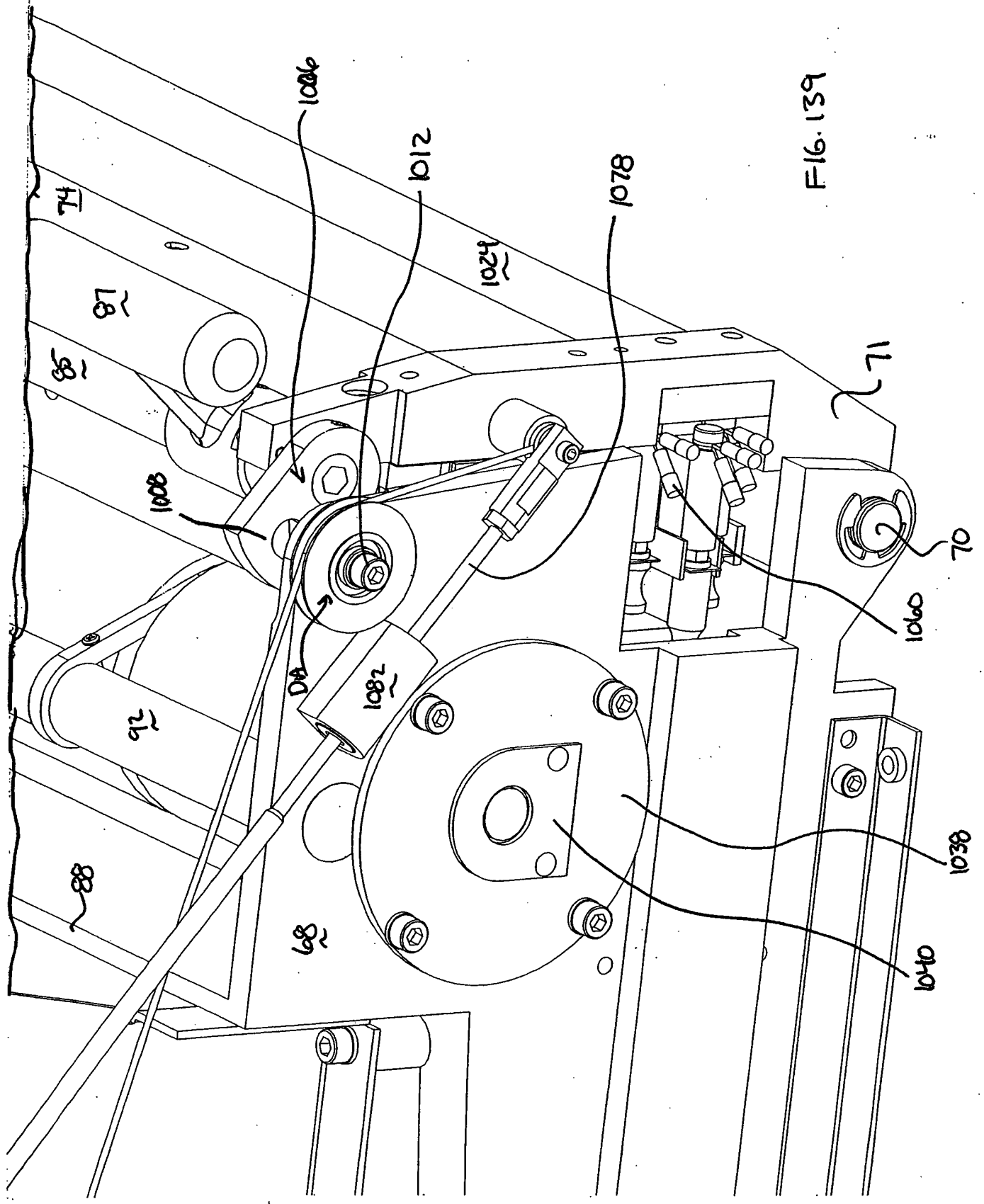


FIG. 139





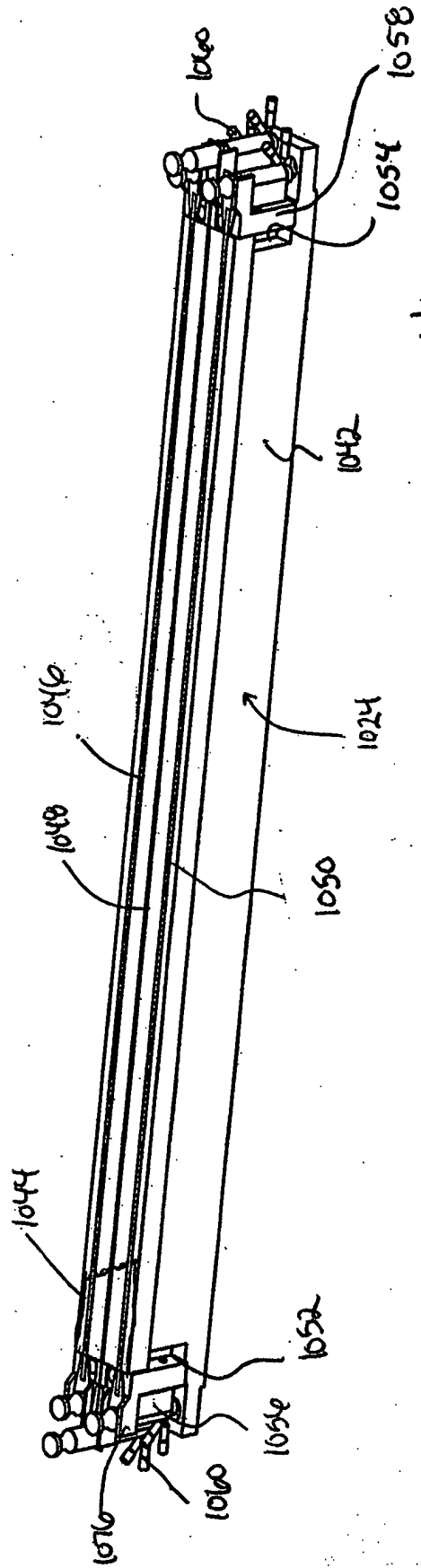


FIG. 141

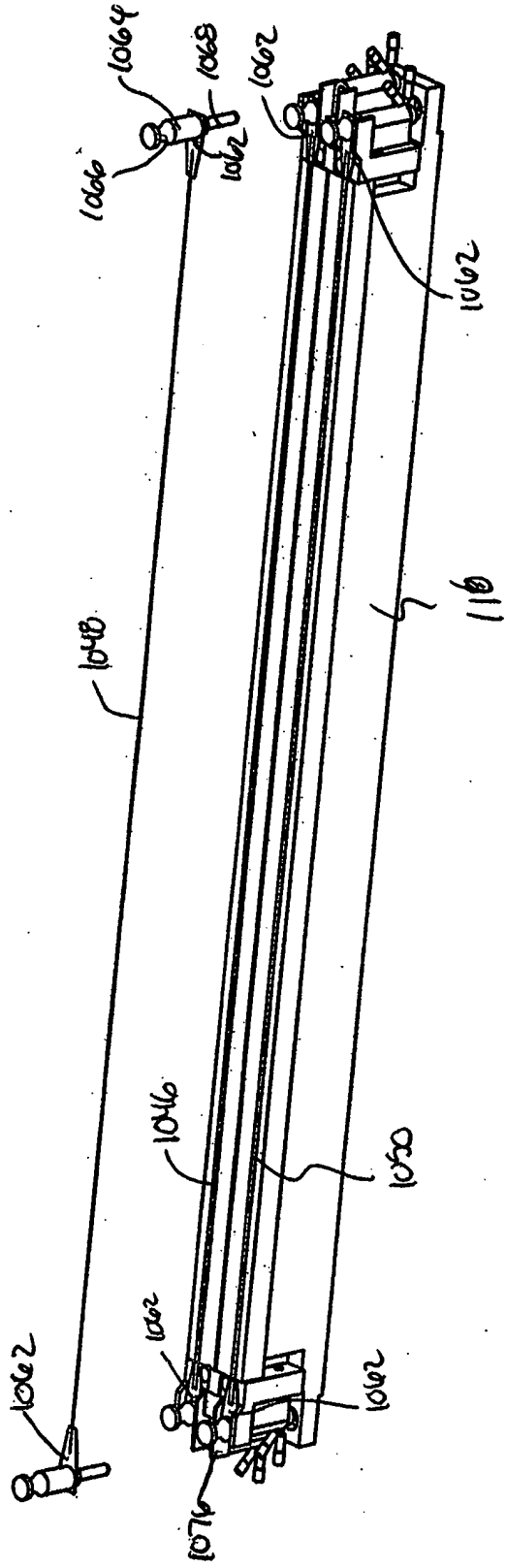


FIG 142

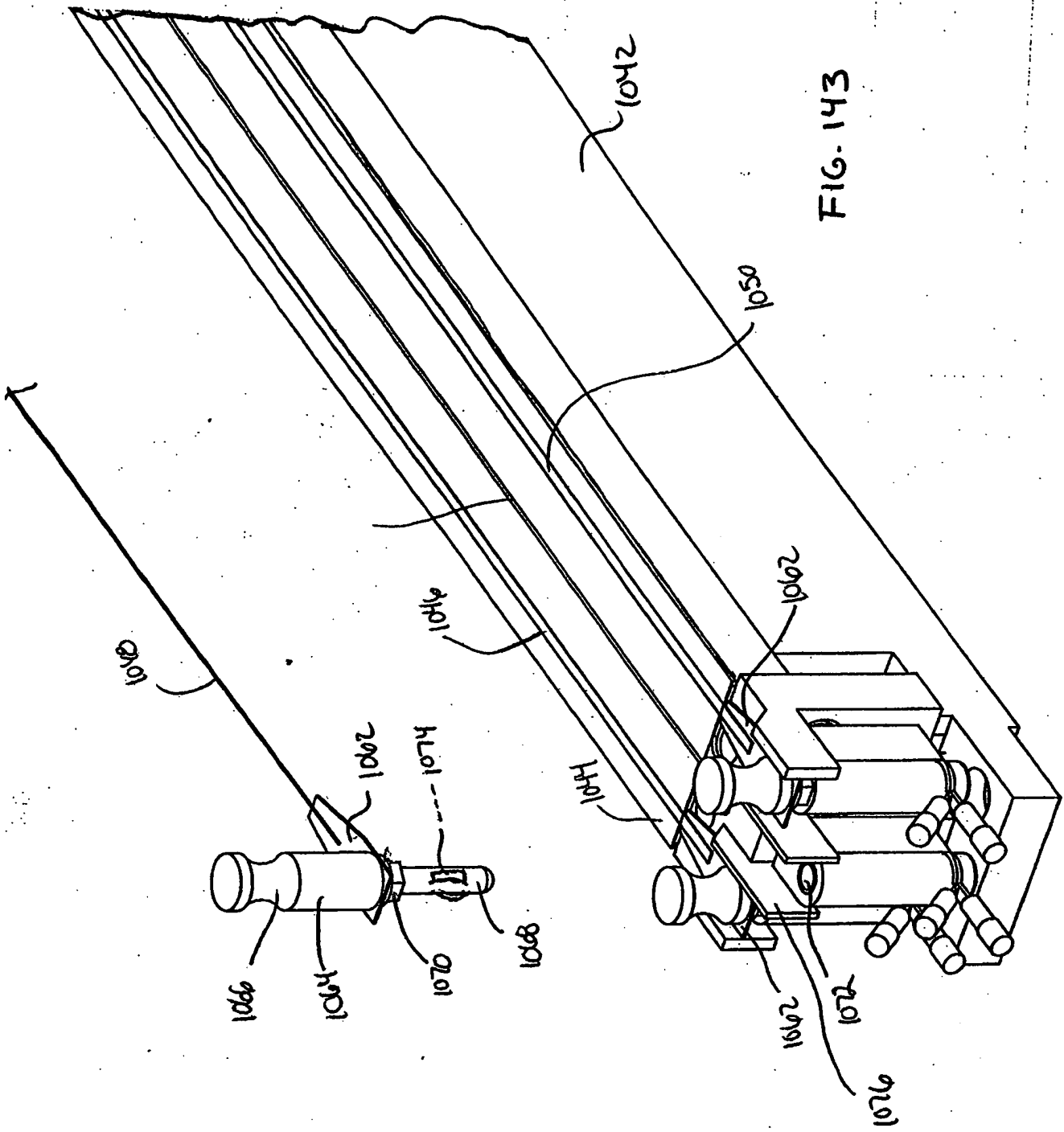


FIG. 143

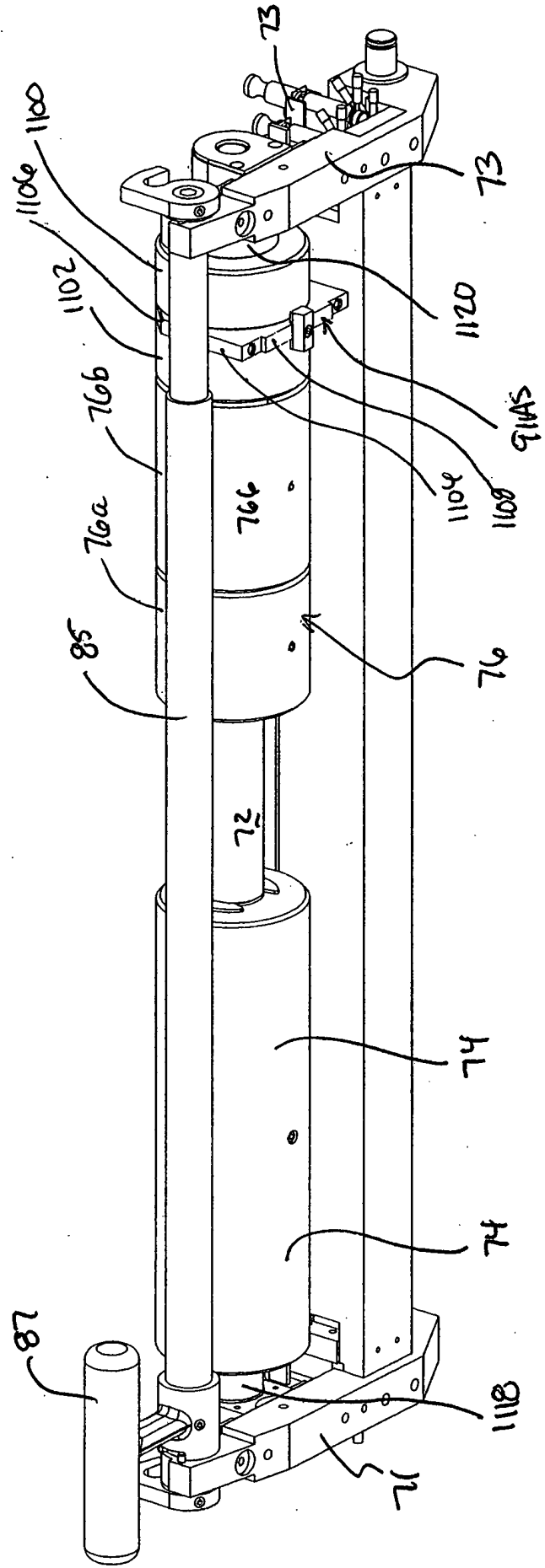


FIG. 144



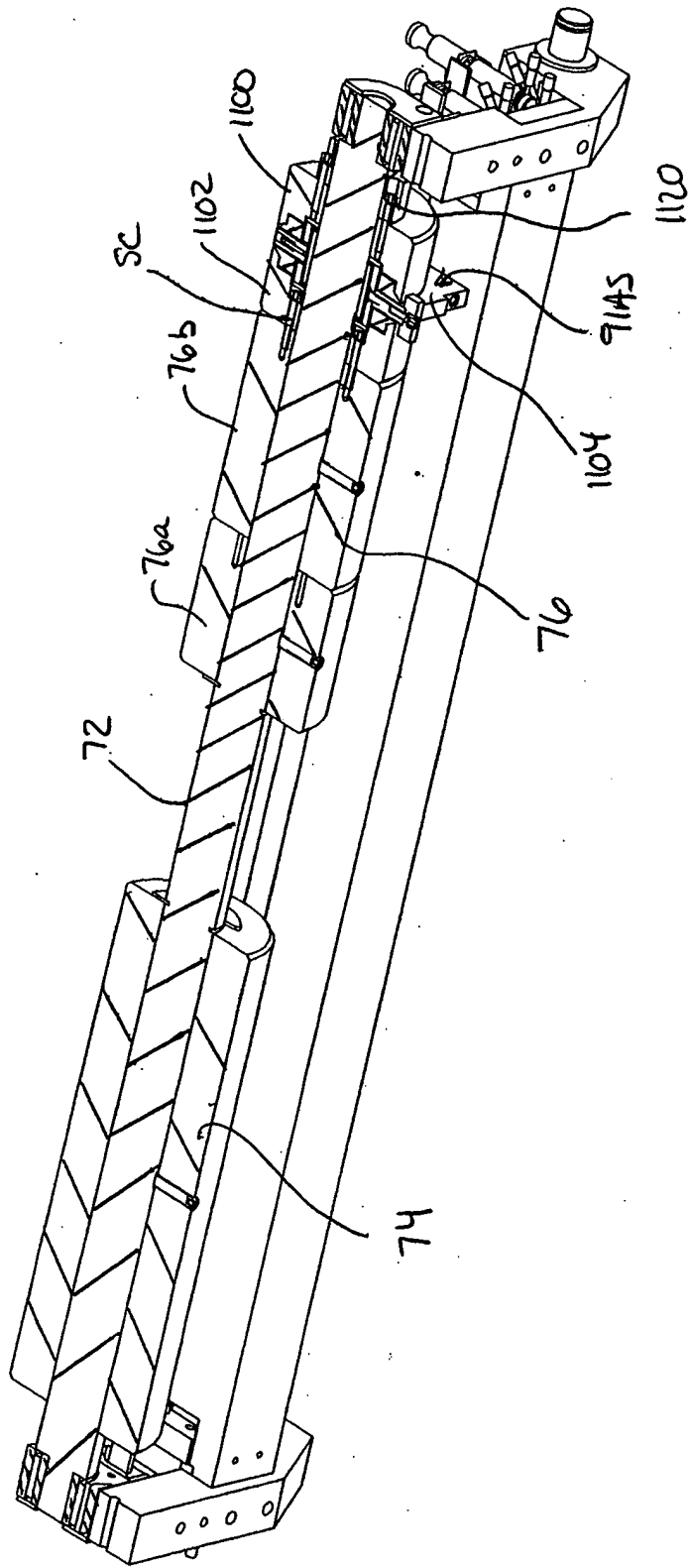


FIG. 145

FIG. 14C

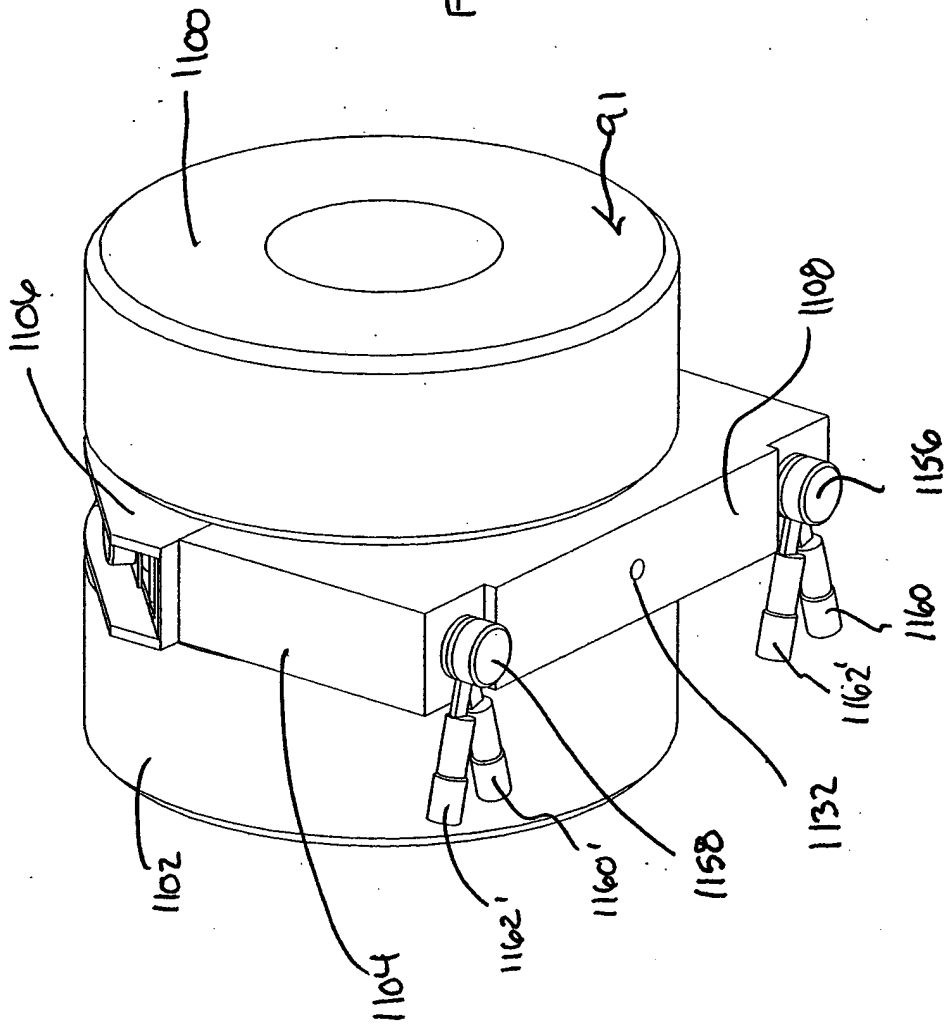


FIG. 146A

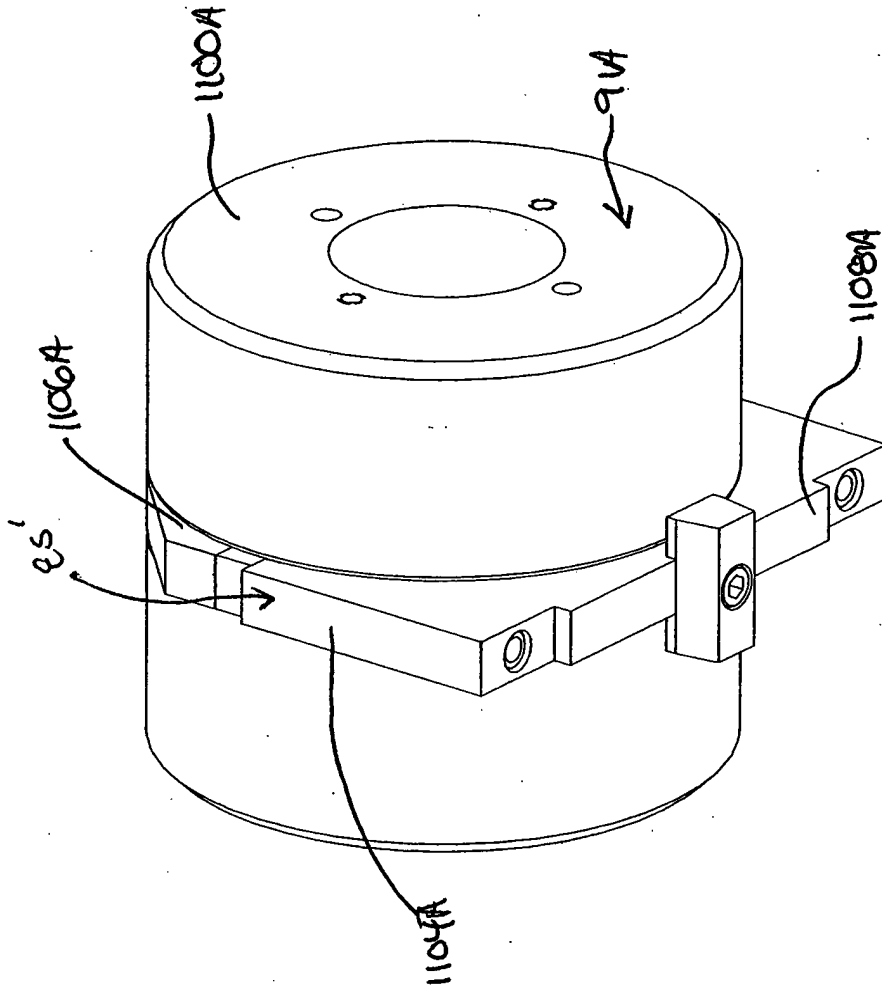


FIG. 147

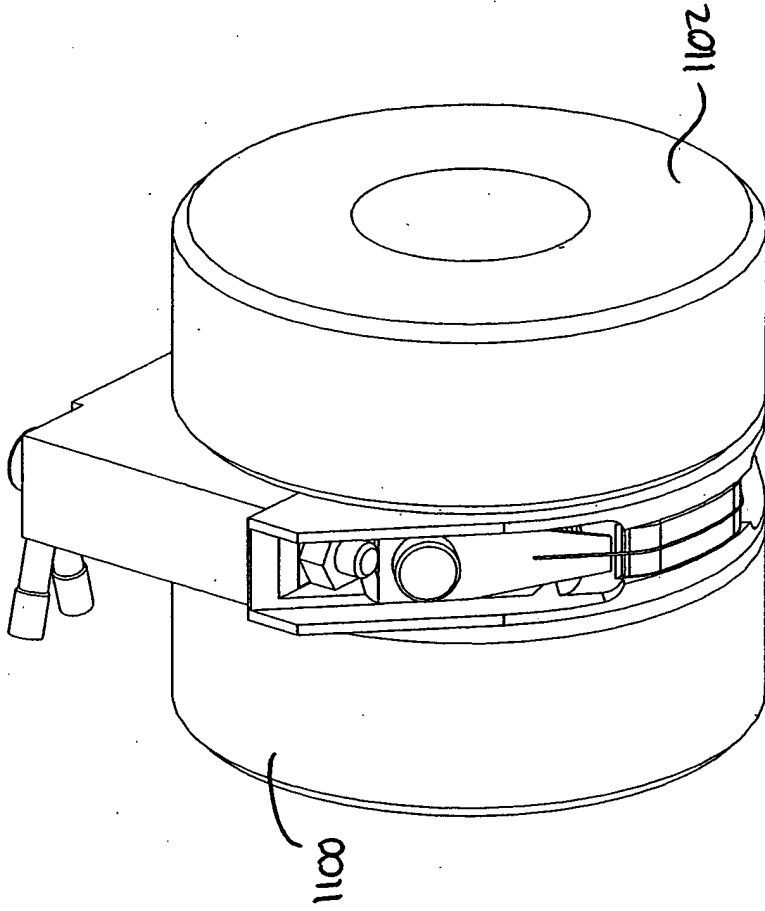


FIG. 147A

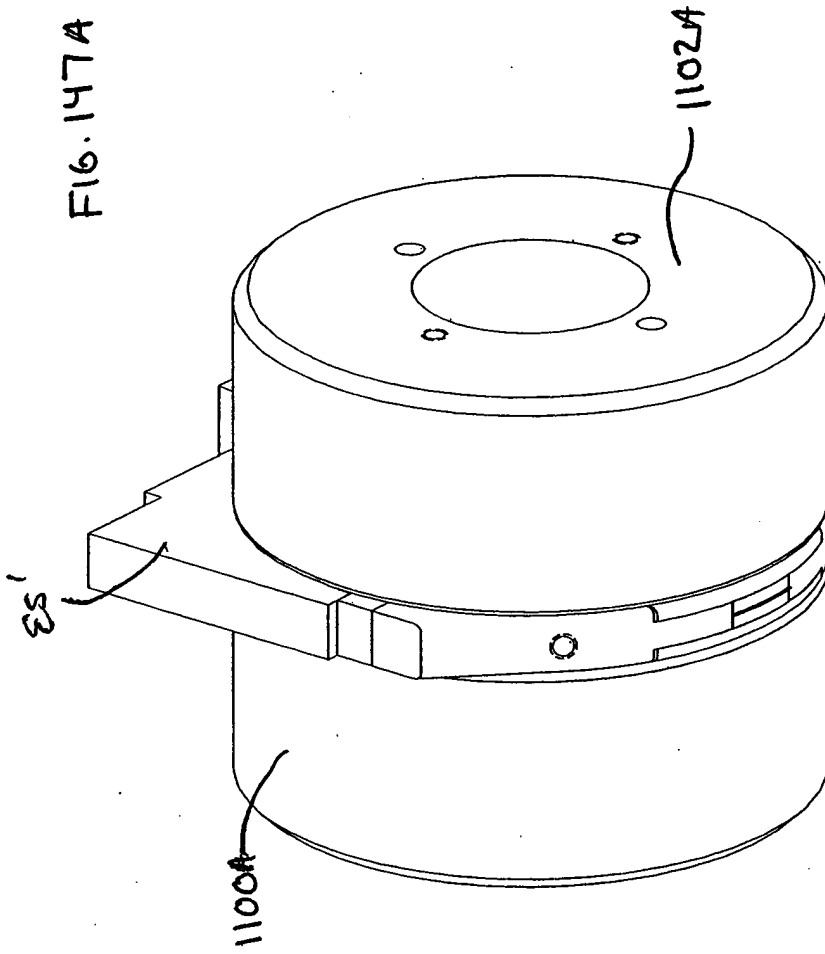
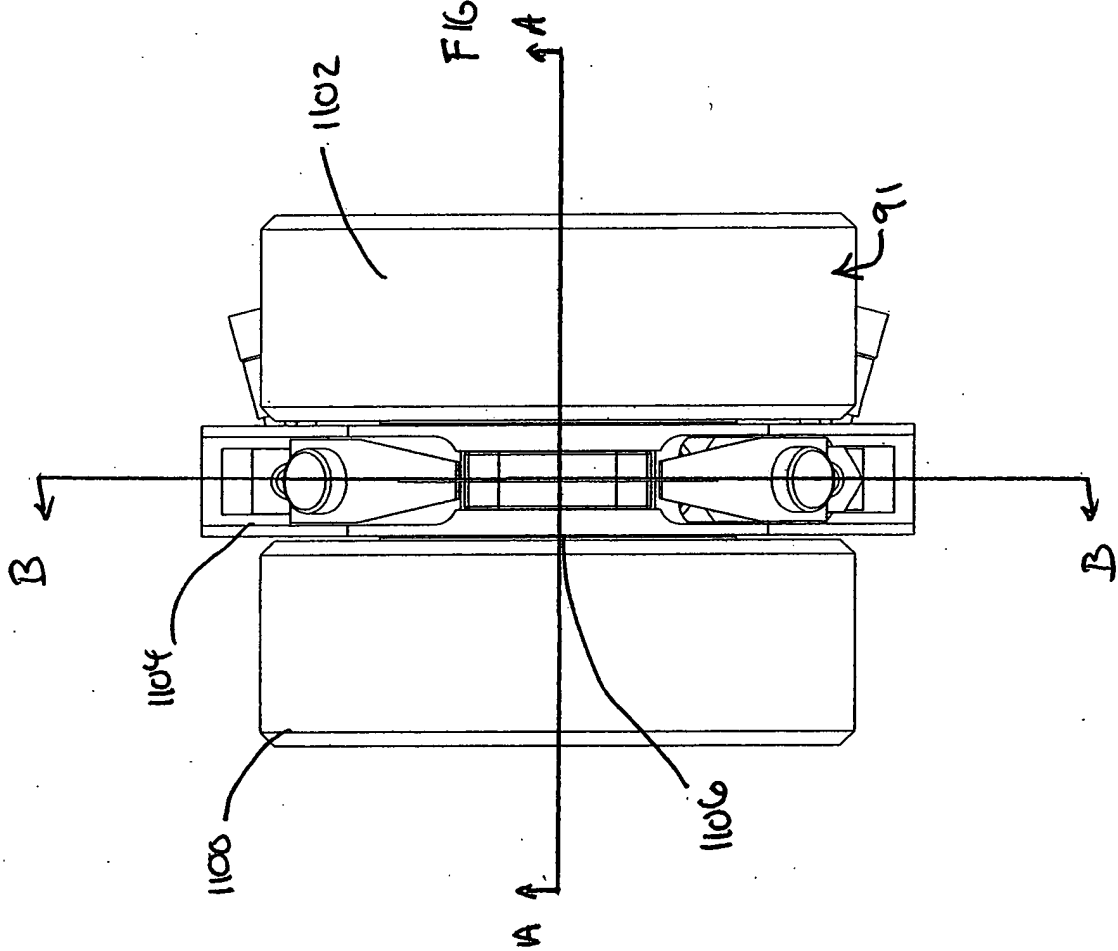


FIG. 148





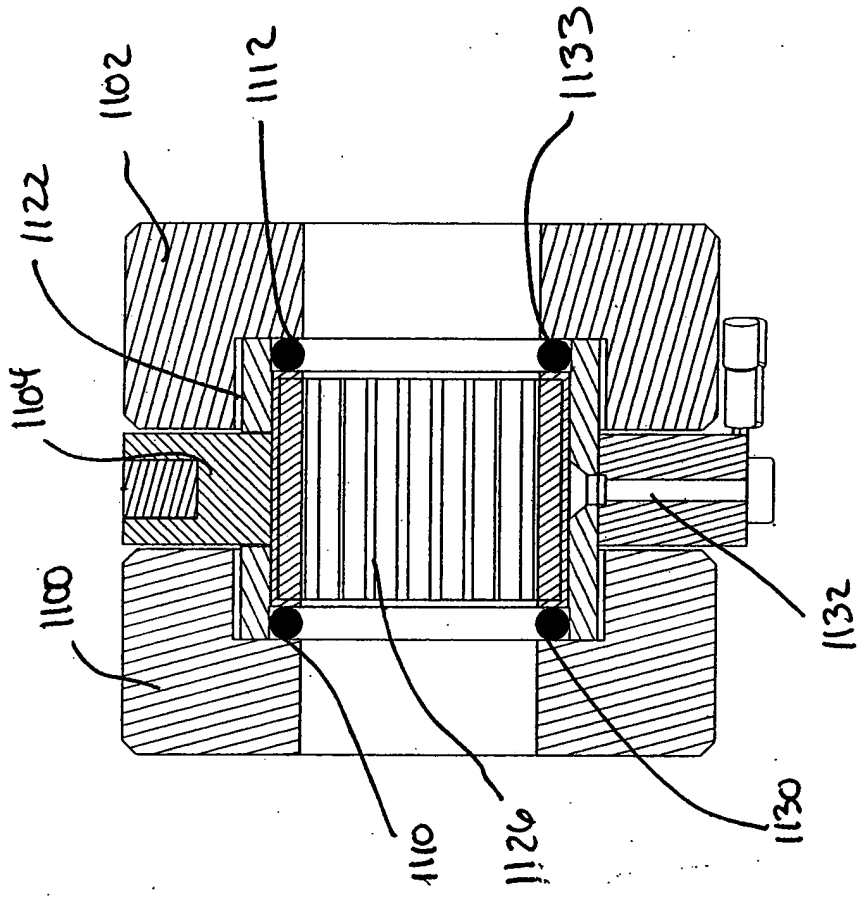
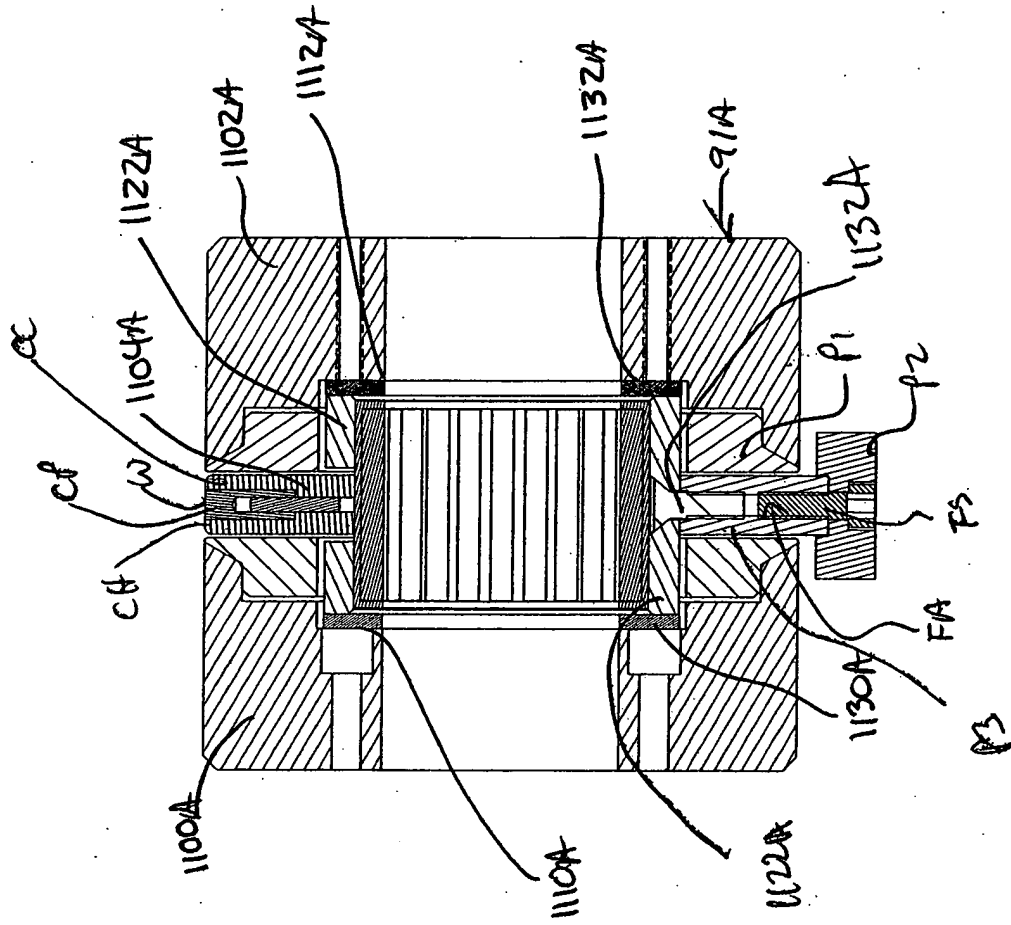


FIG. 149



FIG. 149A



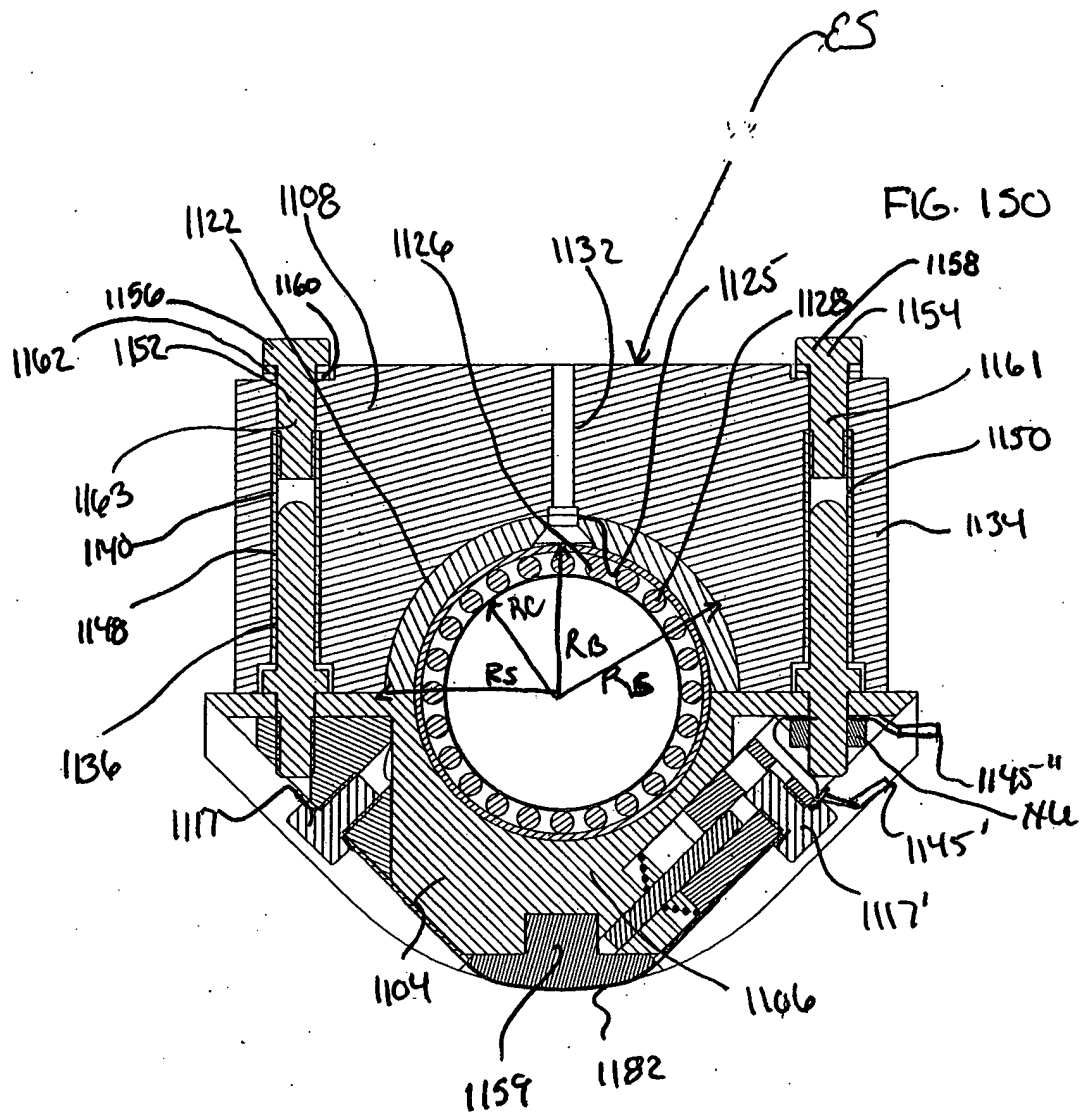


FIG. 1504A

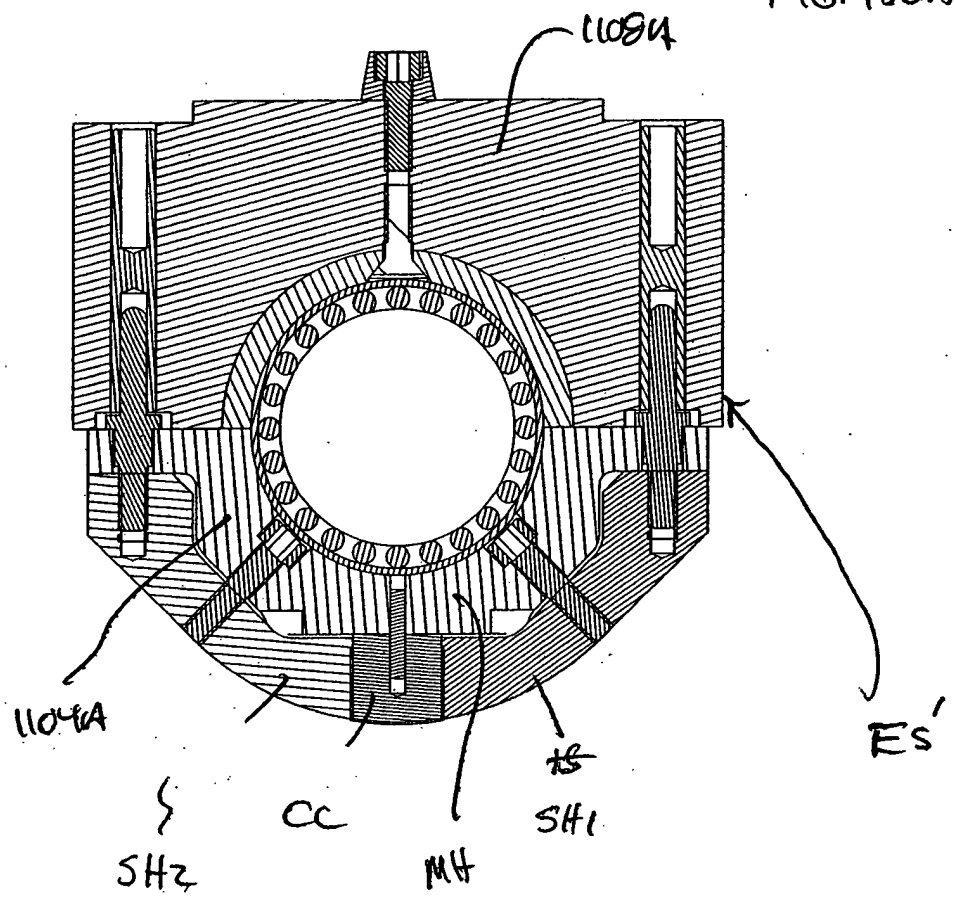


FIG. 151

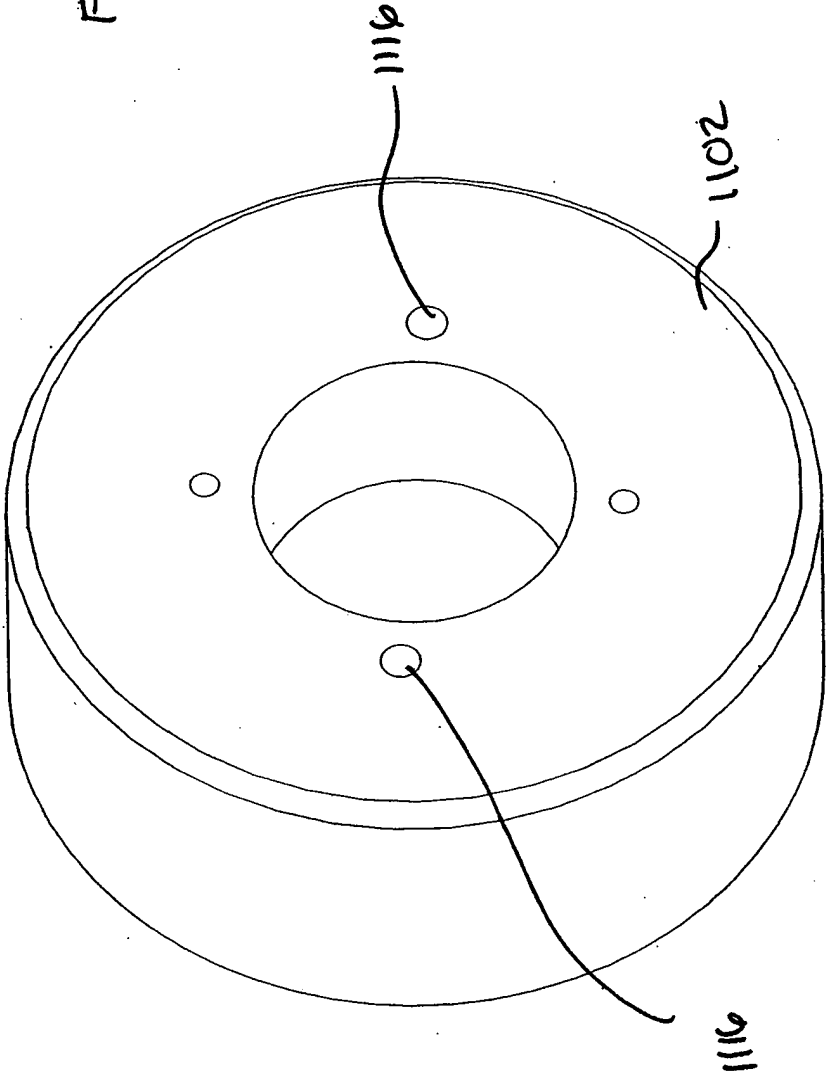


FIG. 151A

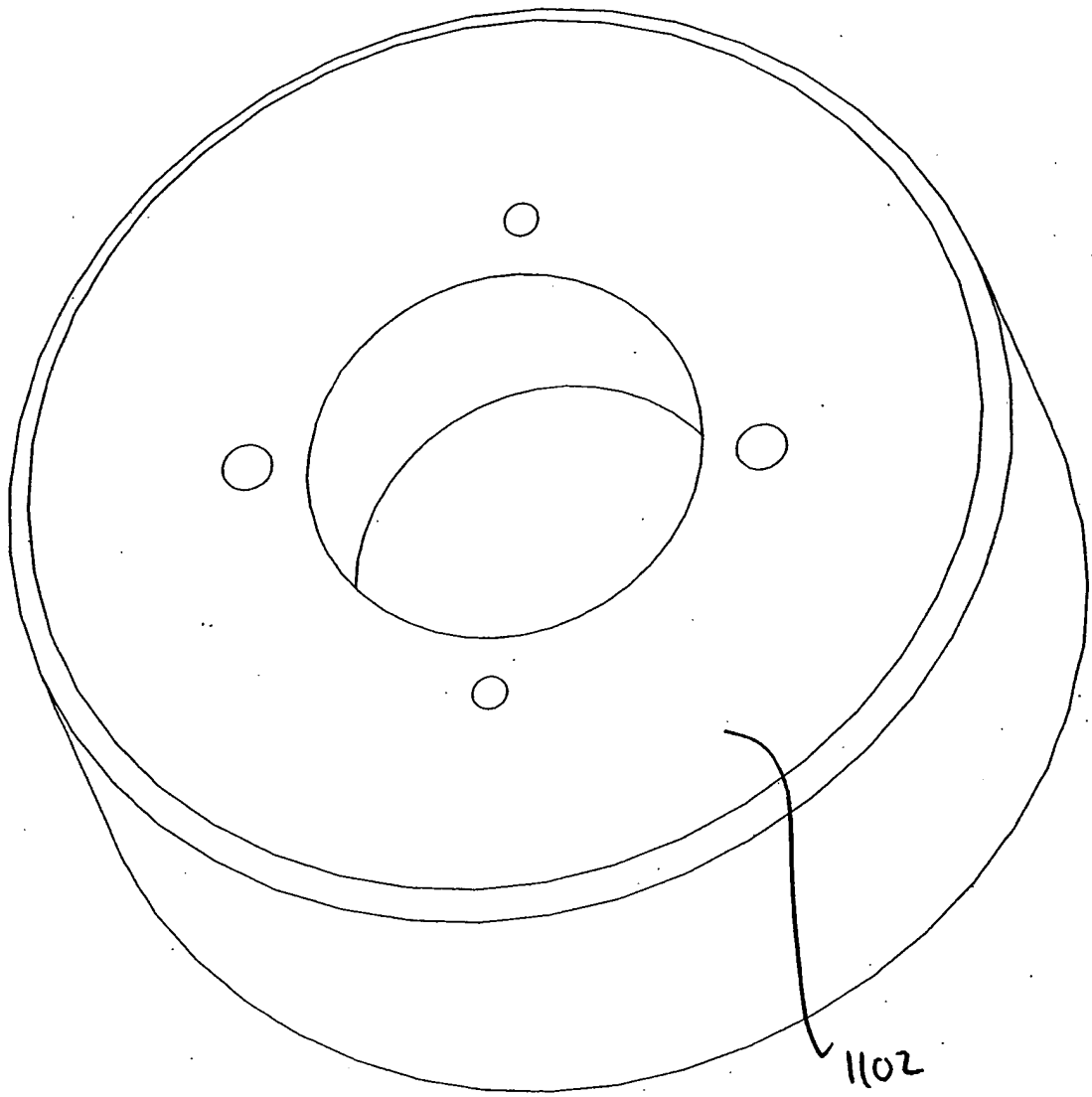


FIG. 152

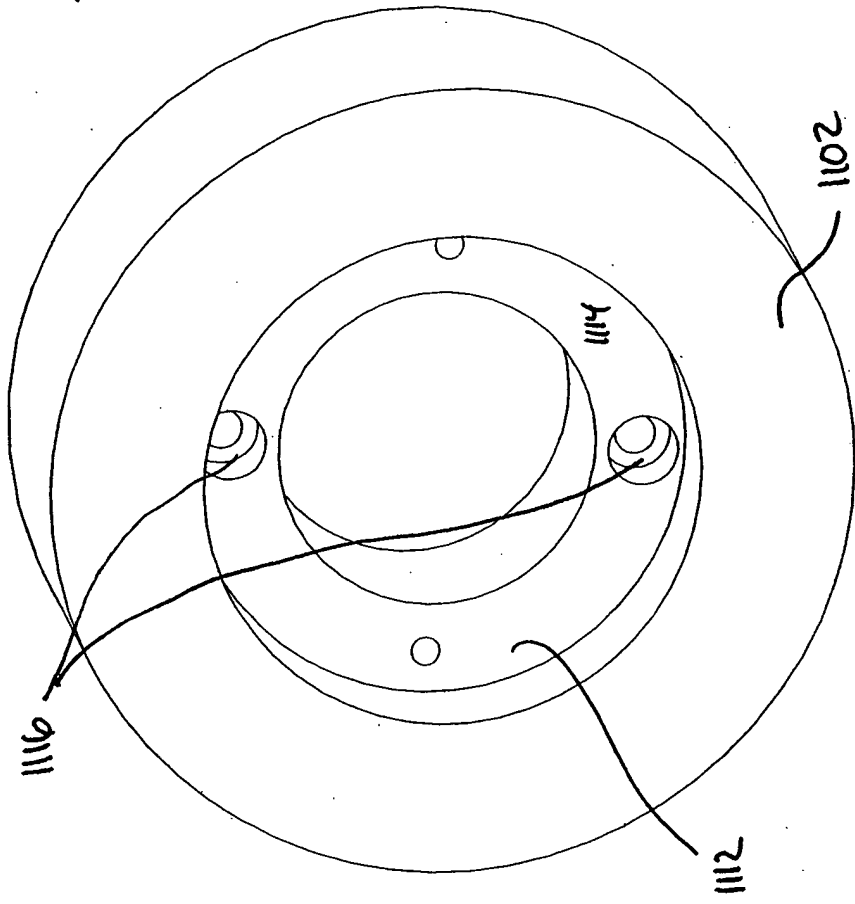


FIG. 152A

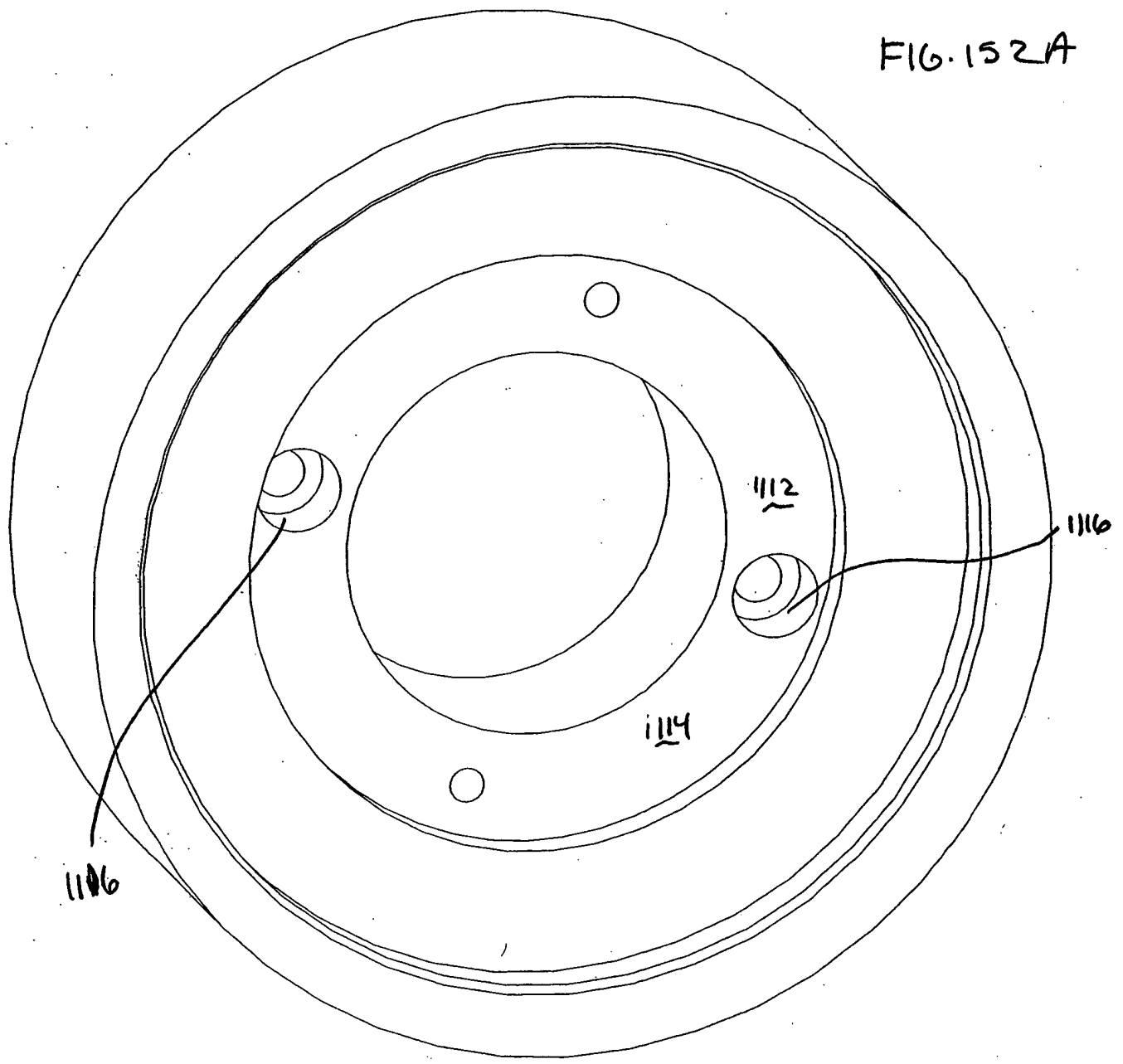


FIG. 153

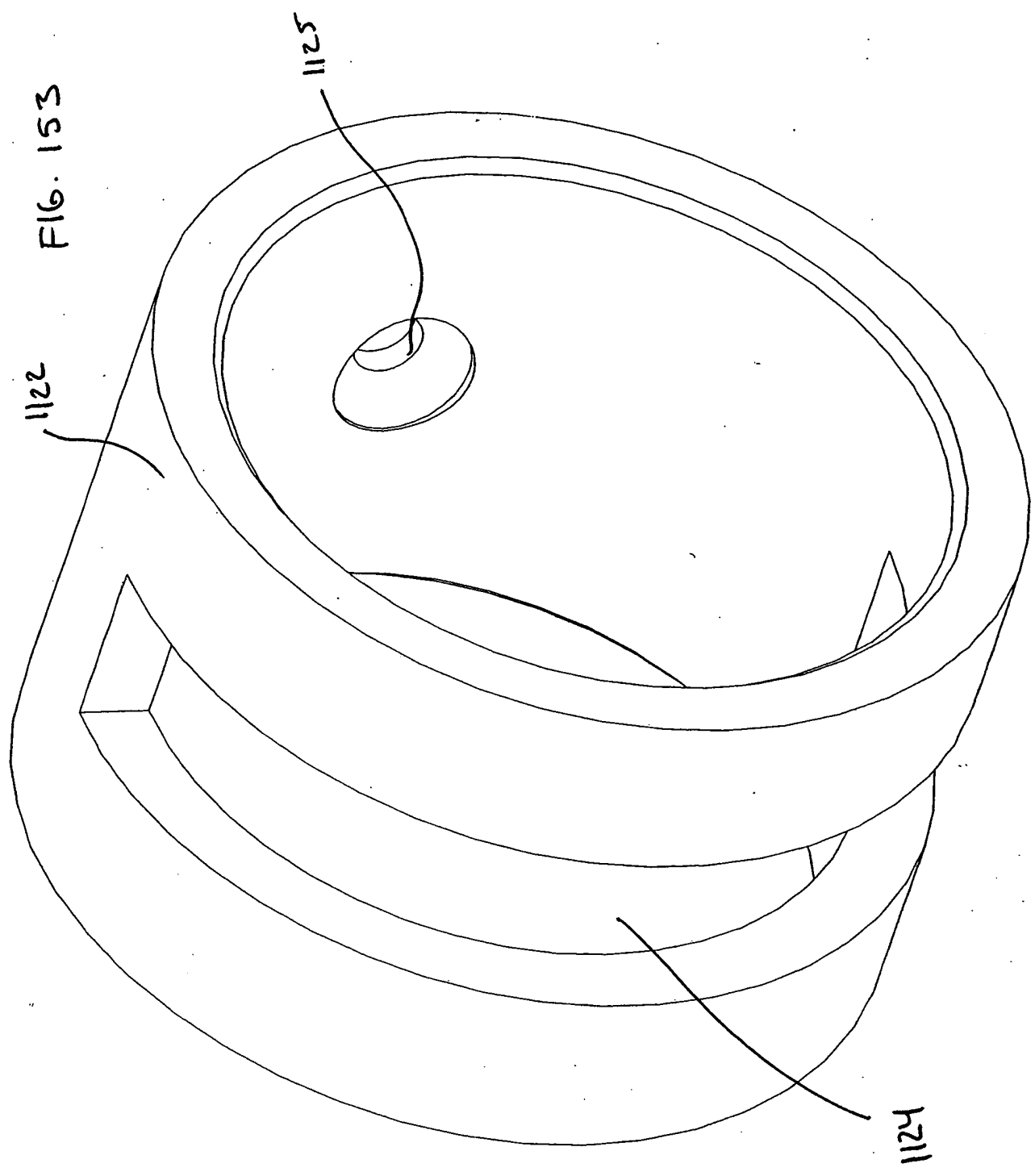




FIG. 154

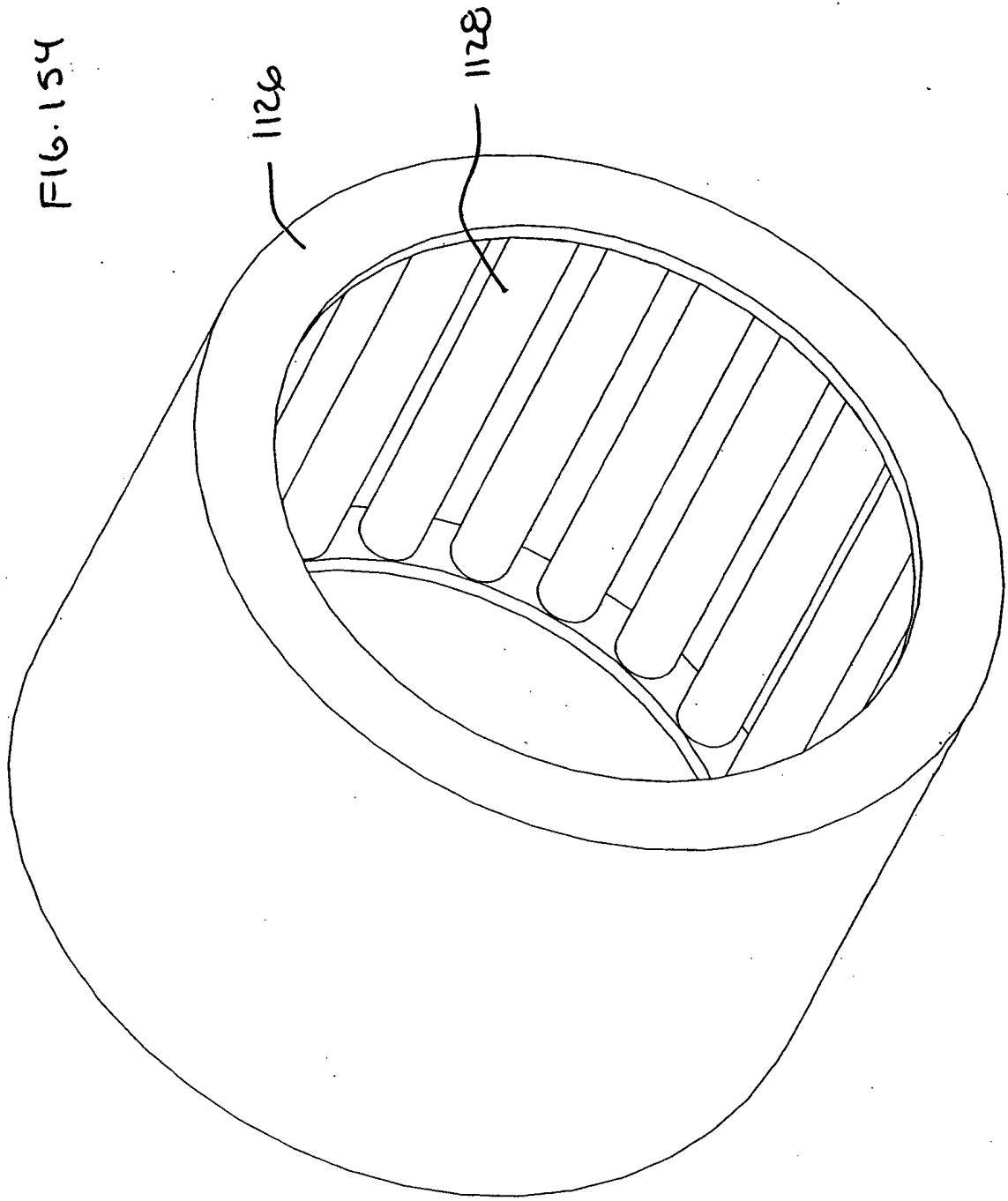
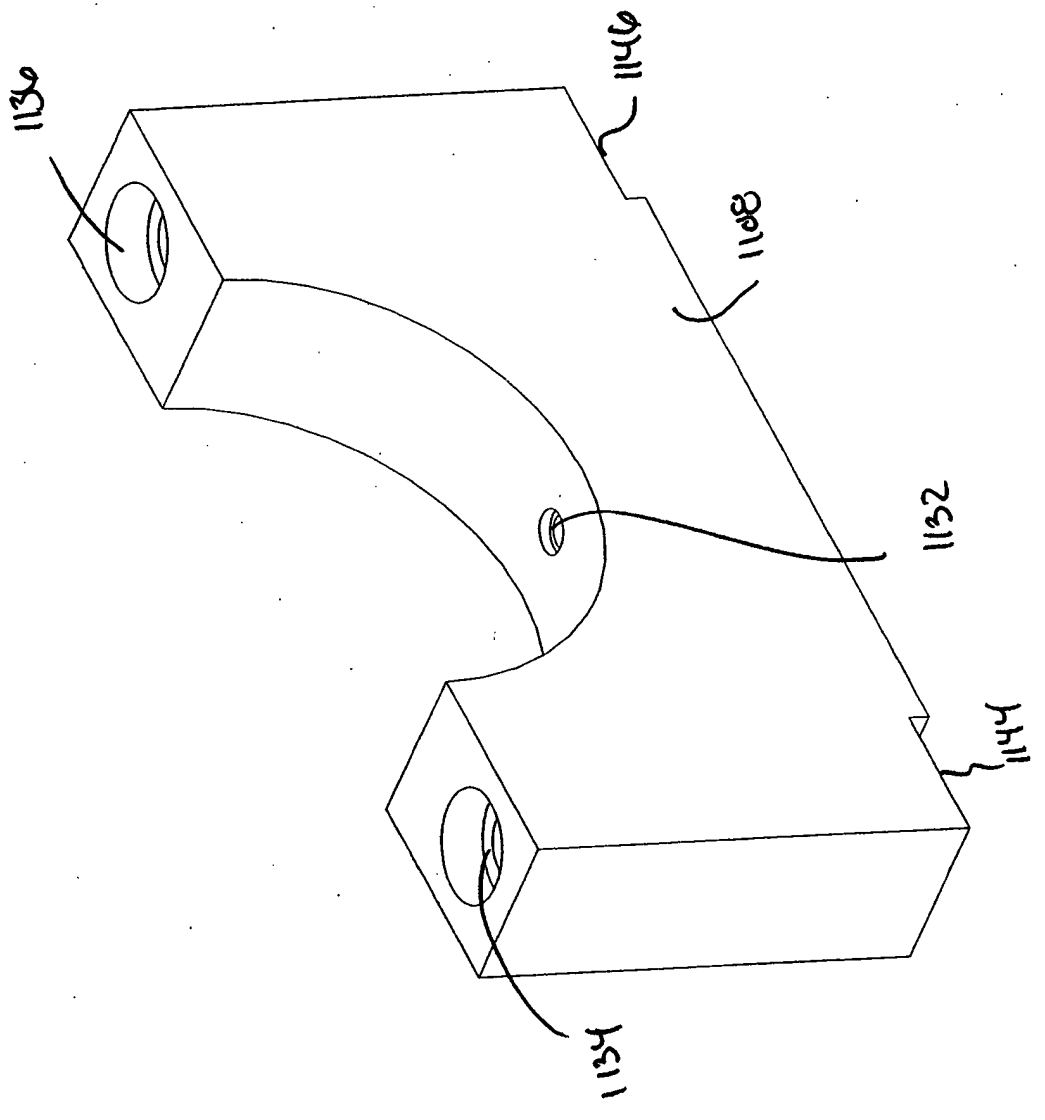


FIG. 155



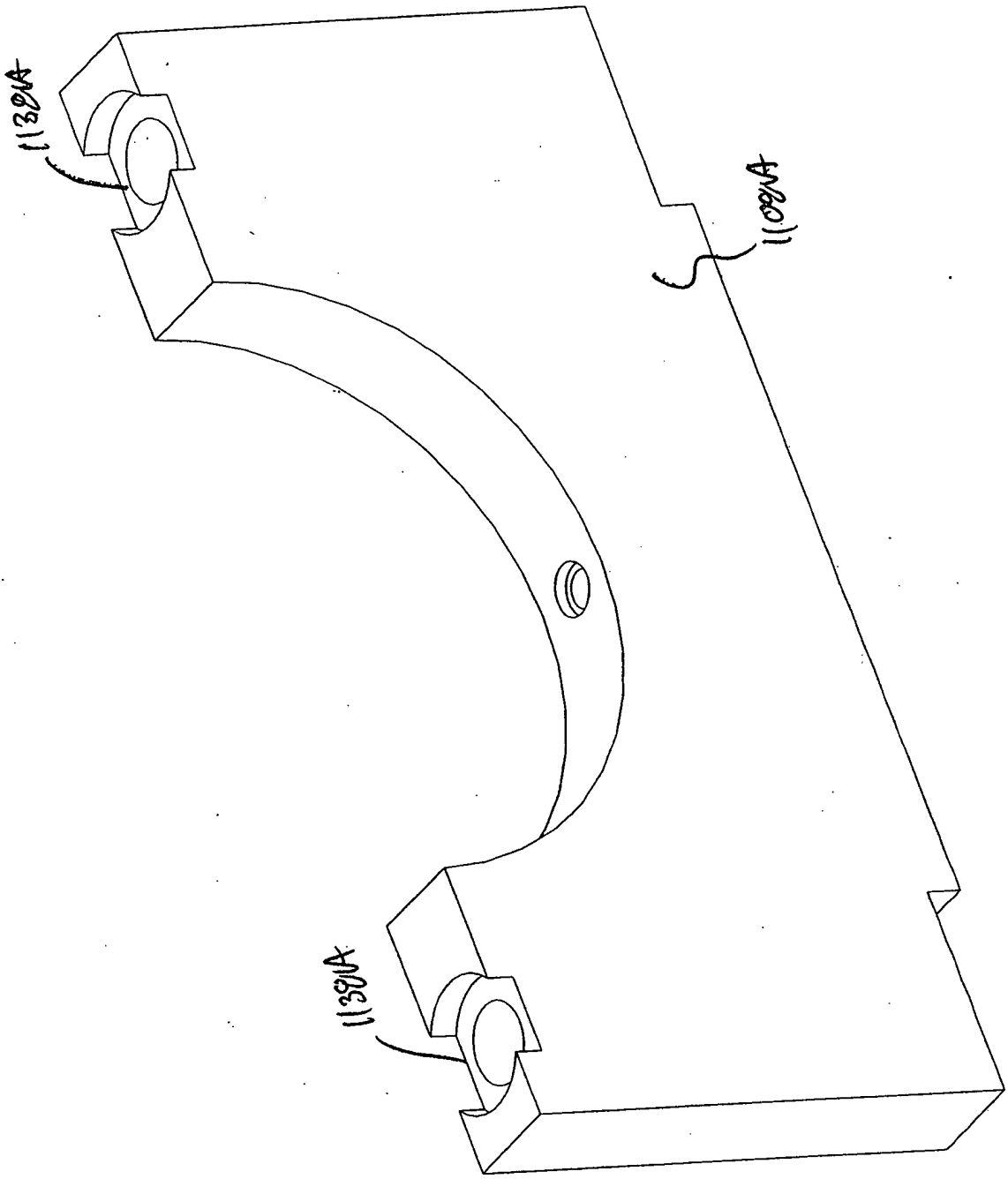


FIG. 1551A

FIG. 15C

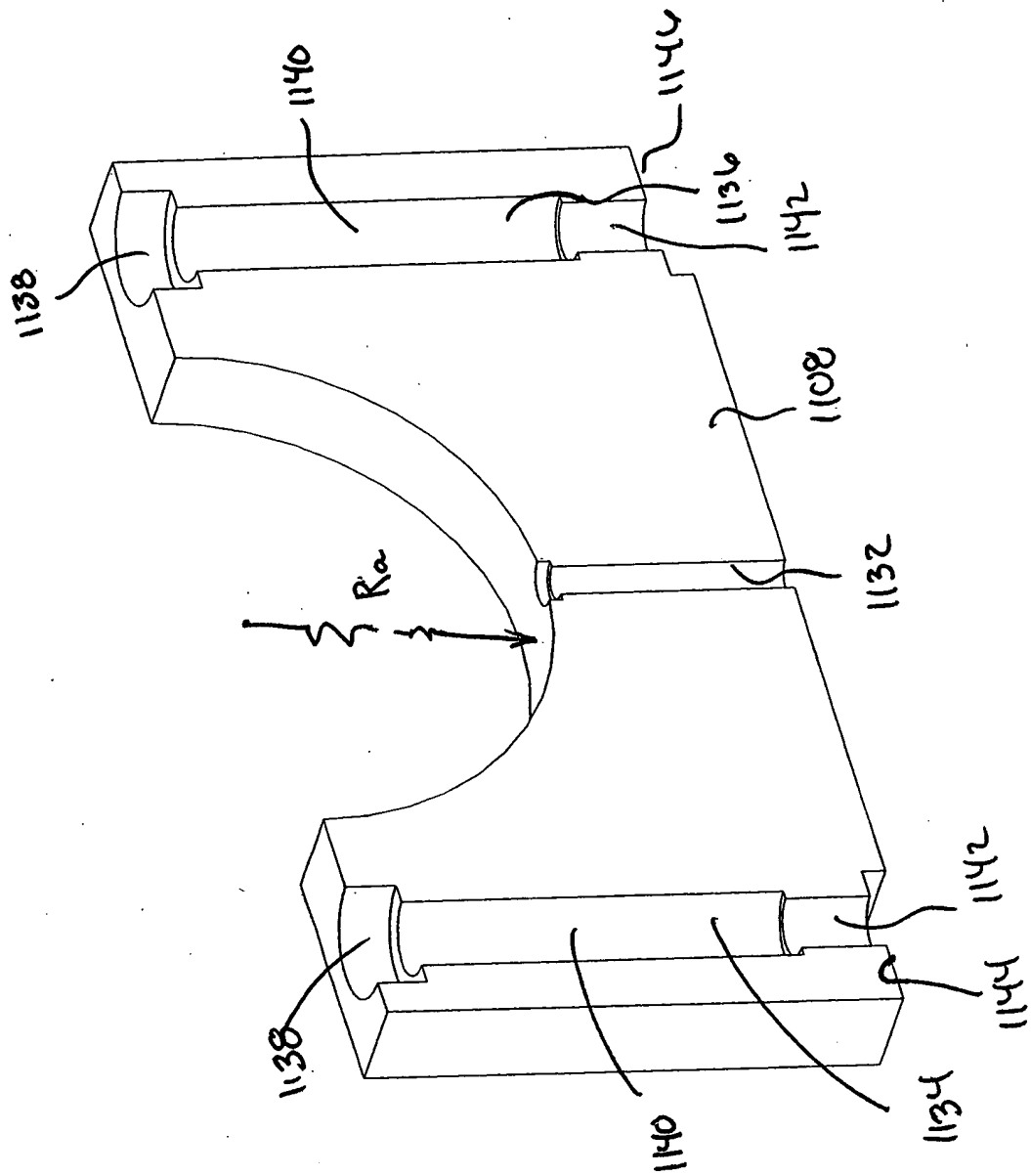


FIG. 156A

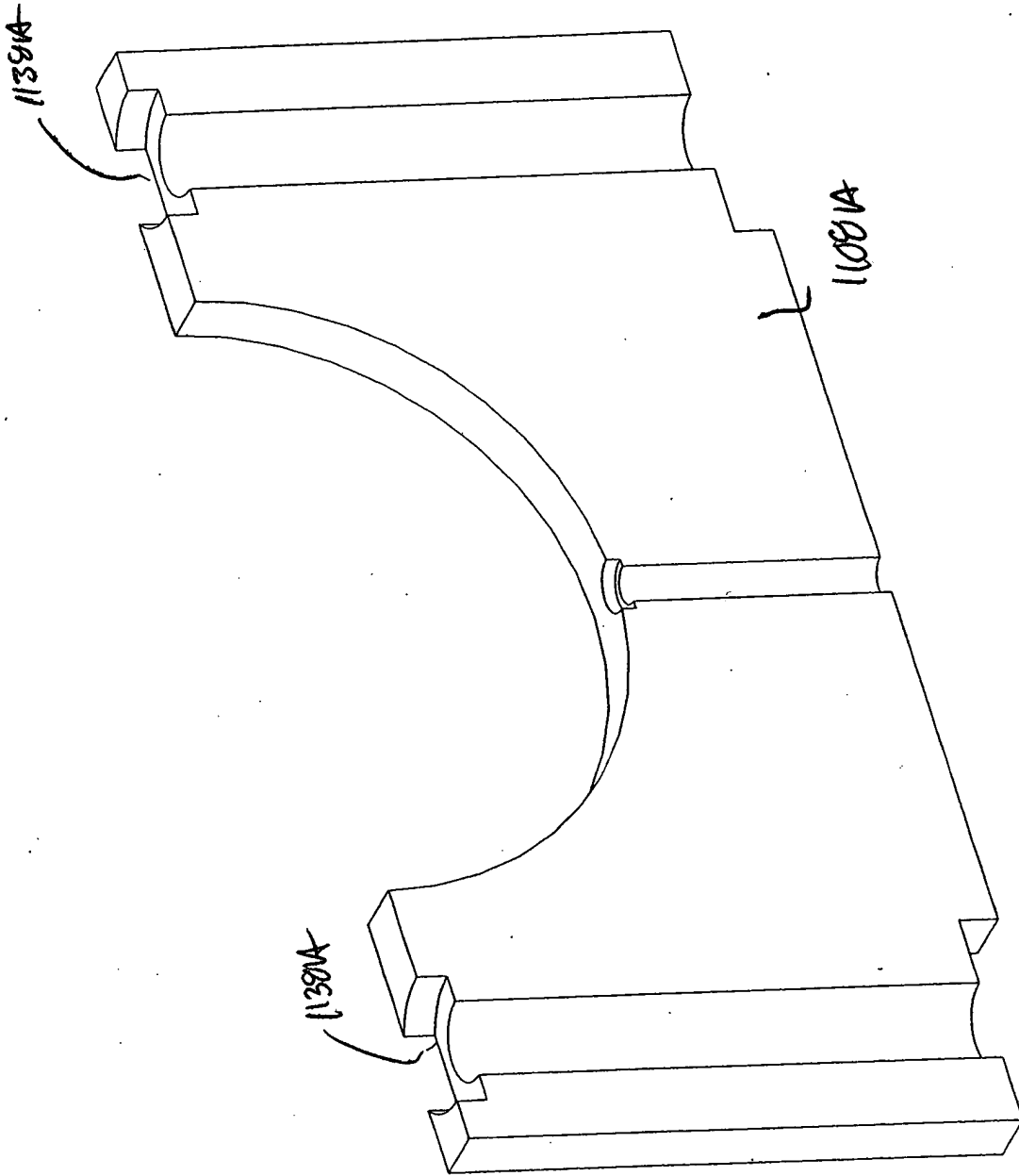
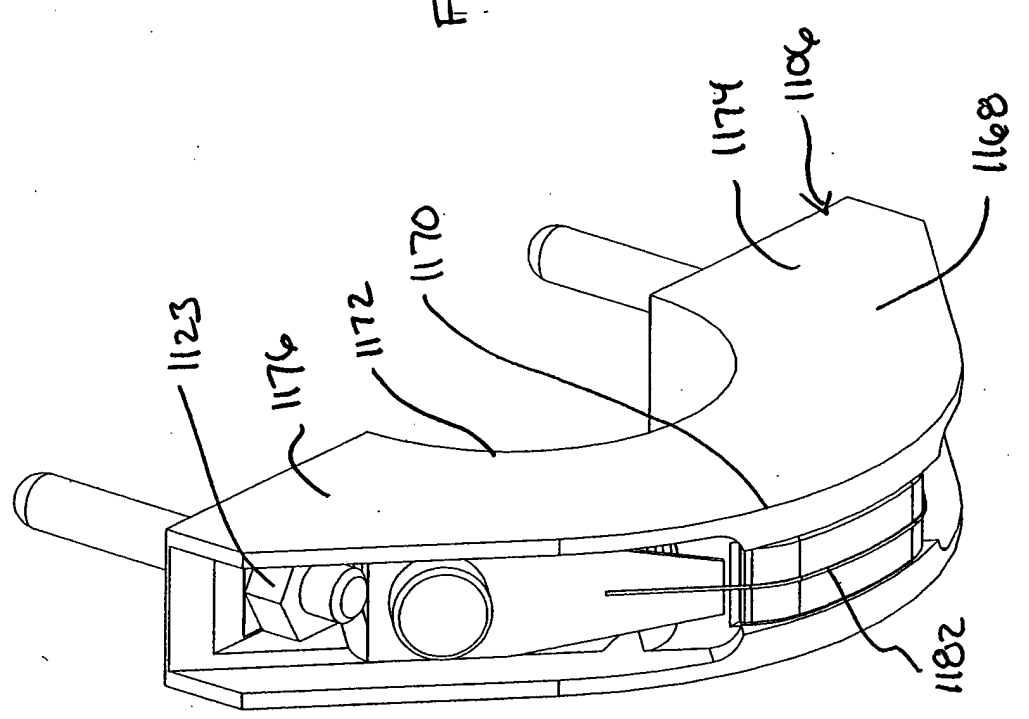


FIG. 157



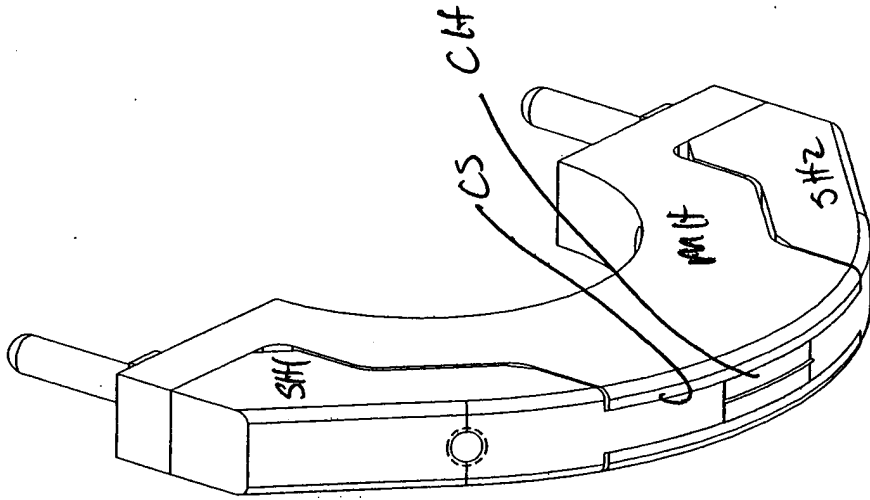
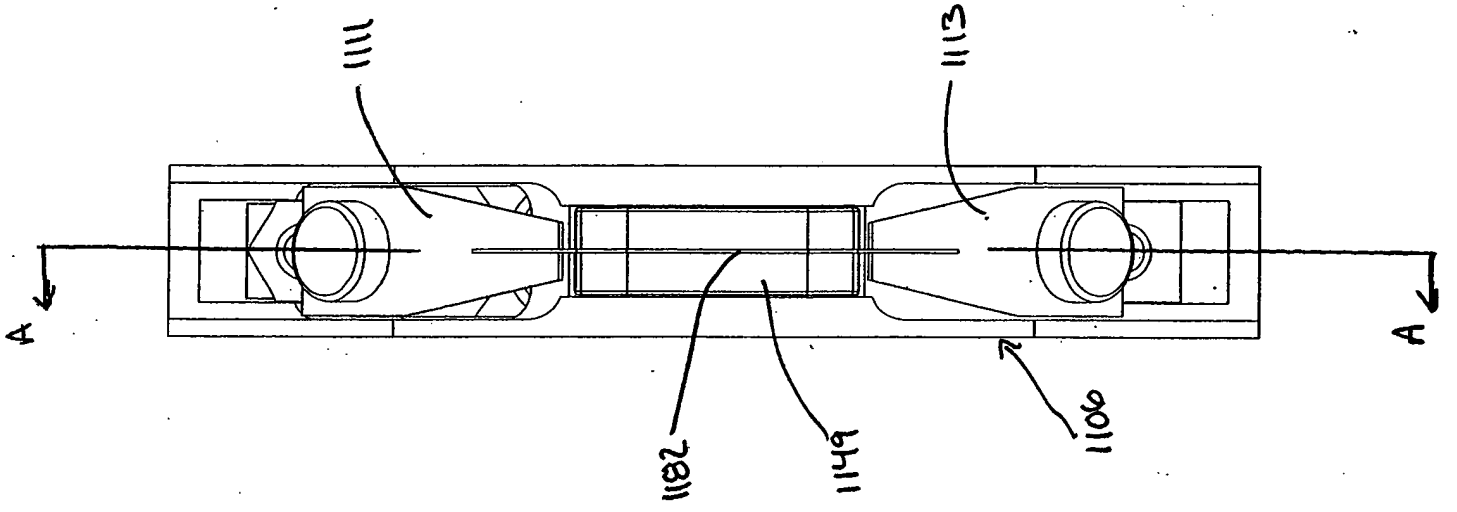


FIG-157A

FIG. 158





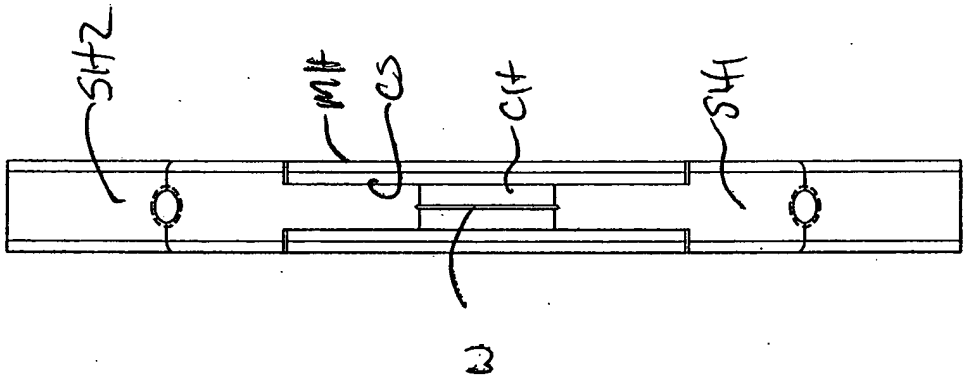


FIG. 158A

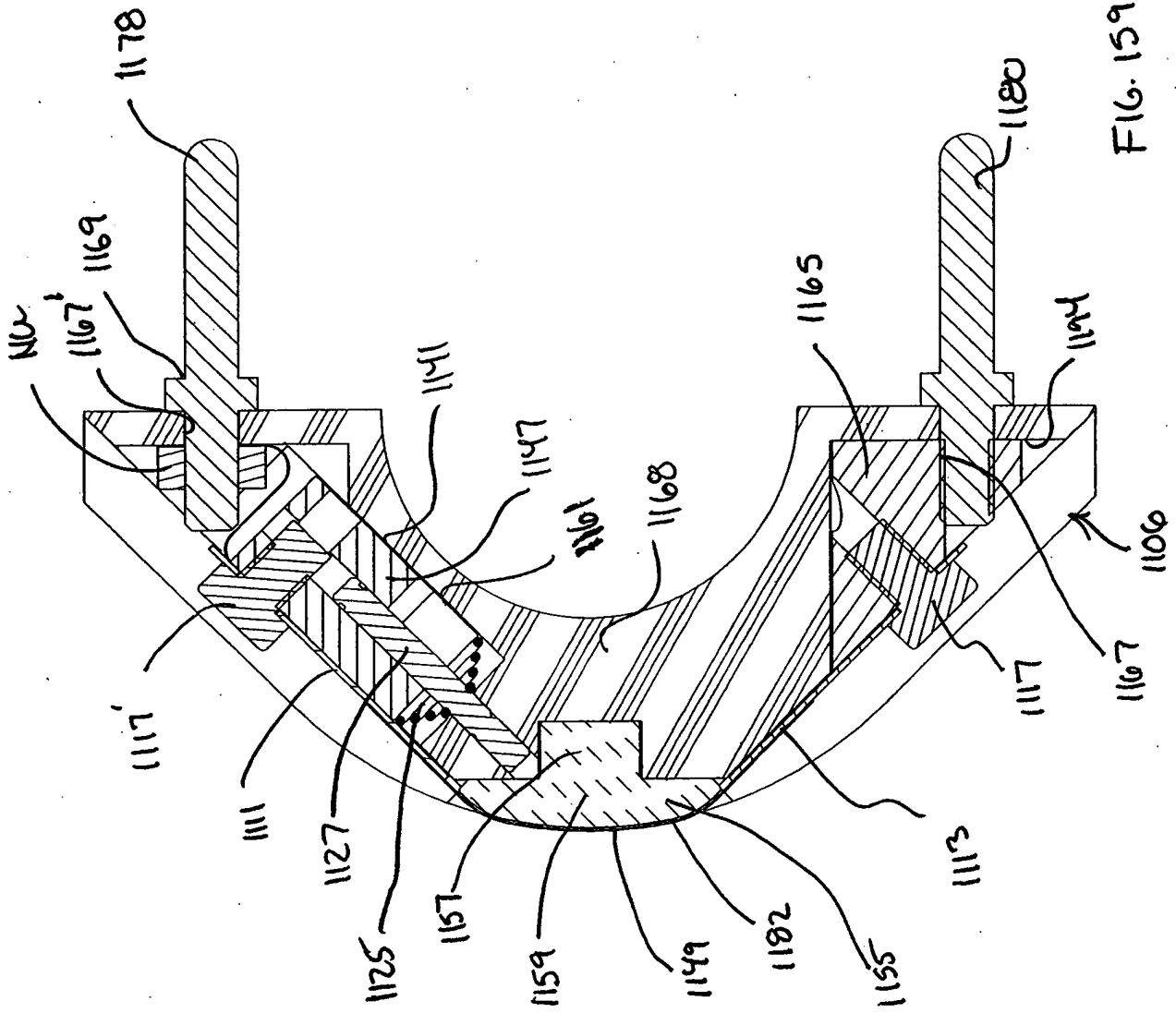


FIG. 159

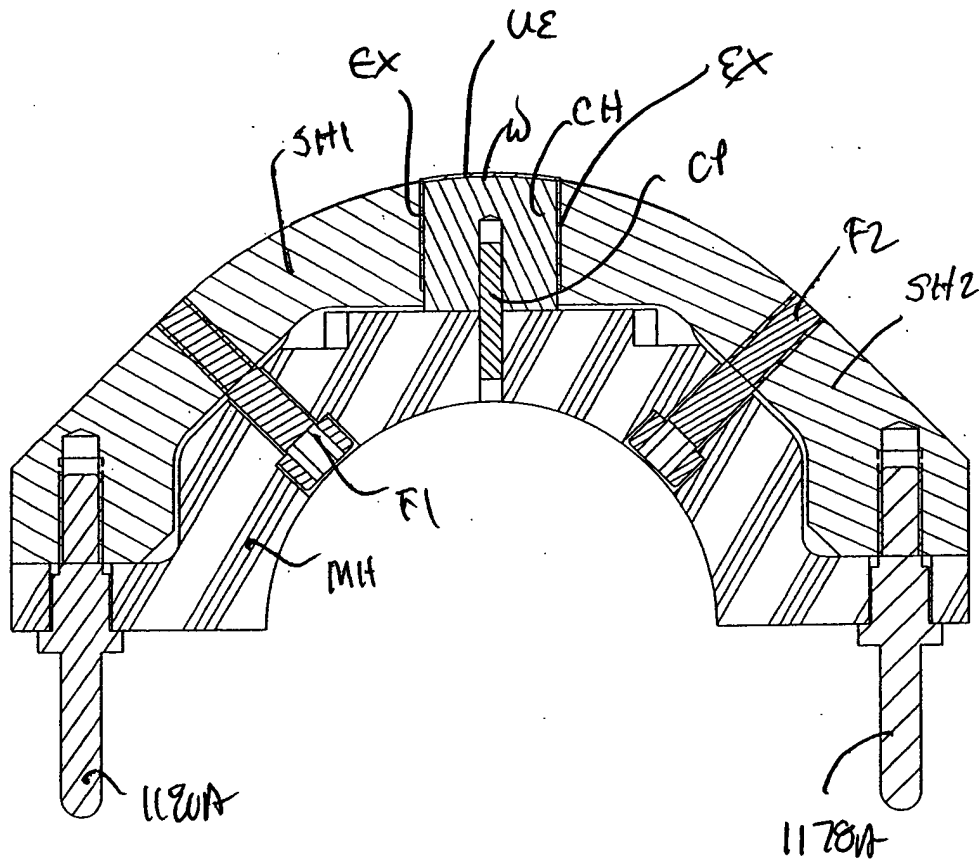


FIG-1591A

FIG. 160

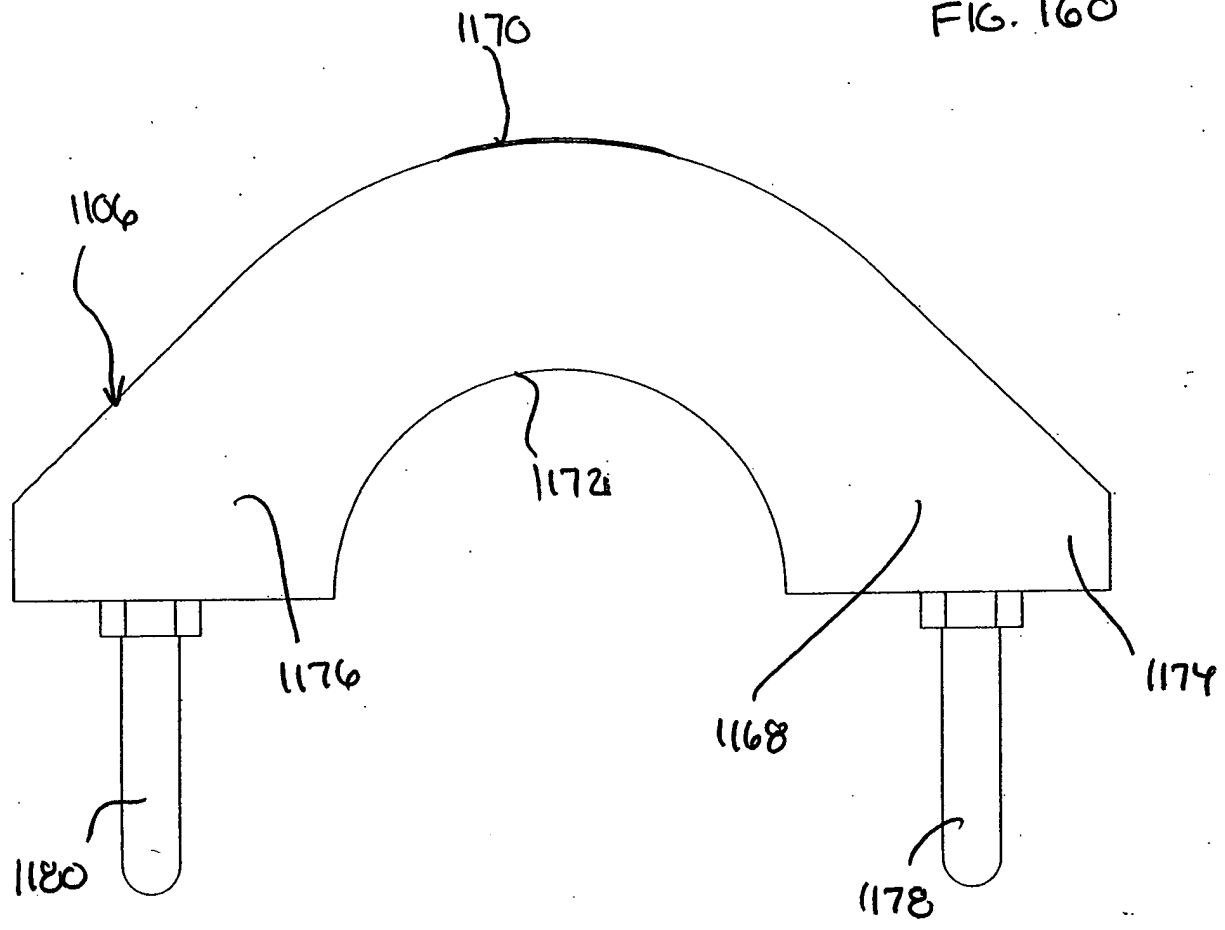
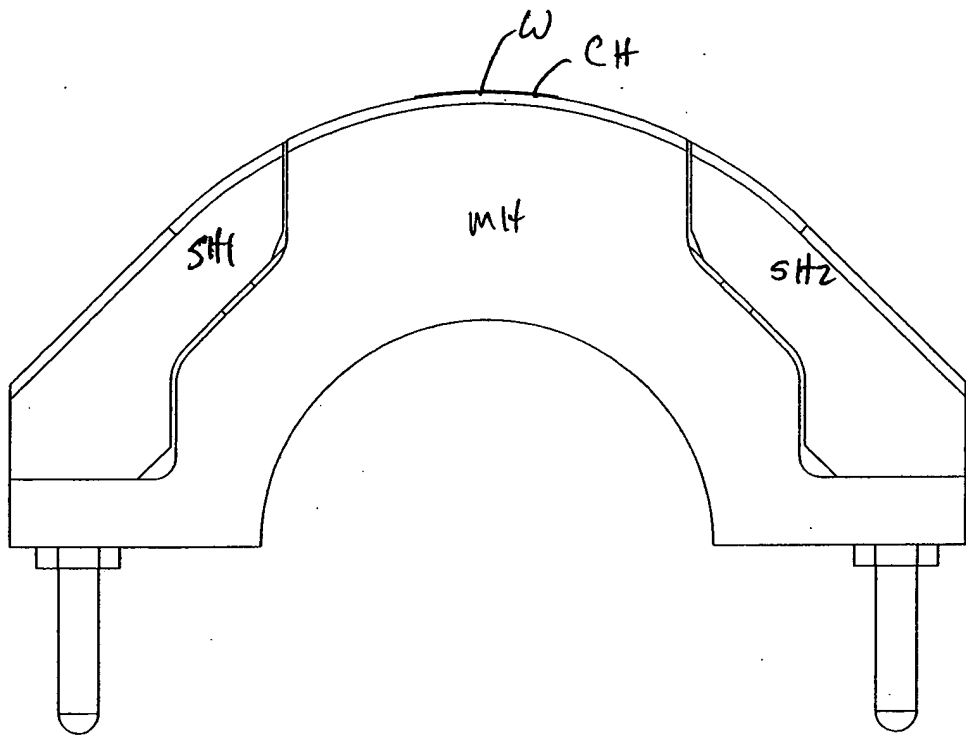


FIG. 1601A



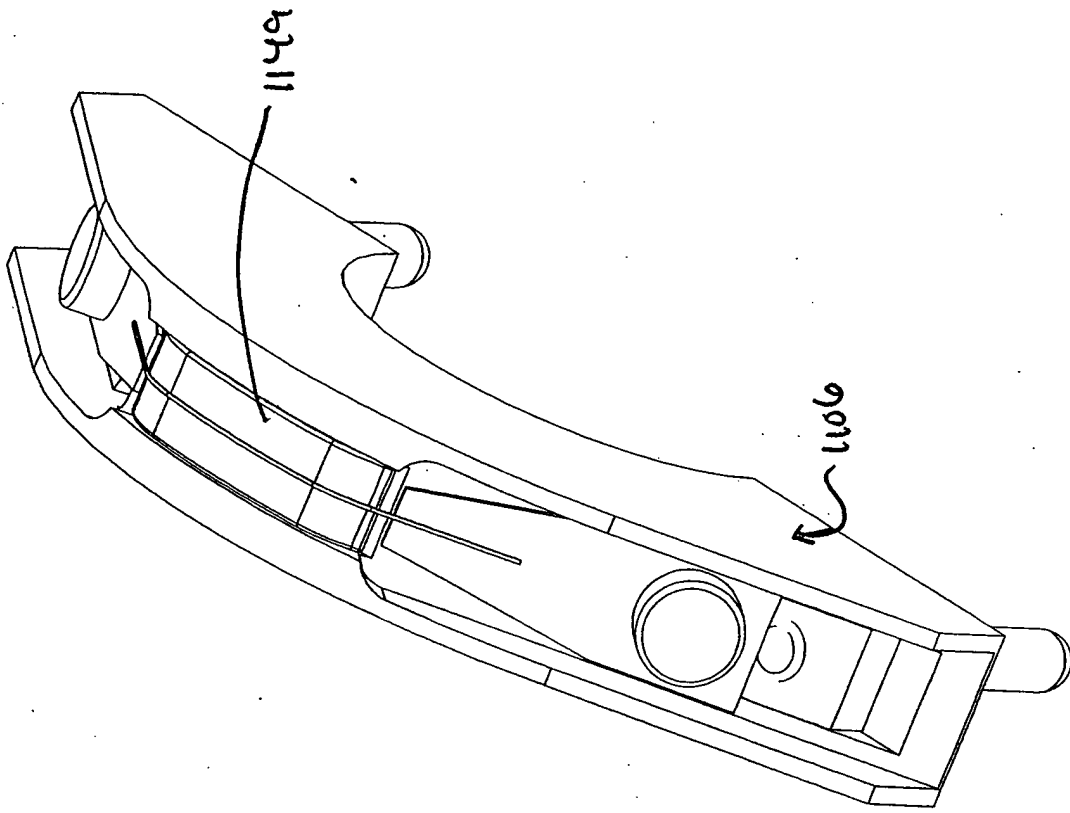


FIG. 161

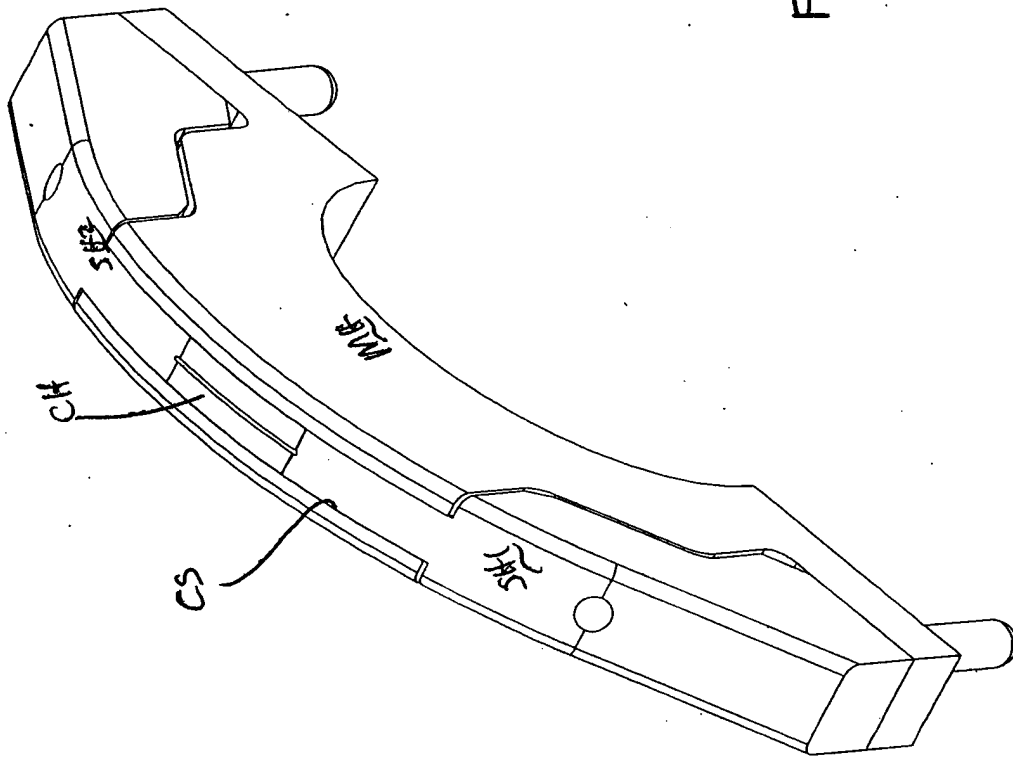


FIG. 161A

FIG. 162

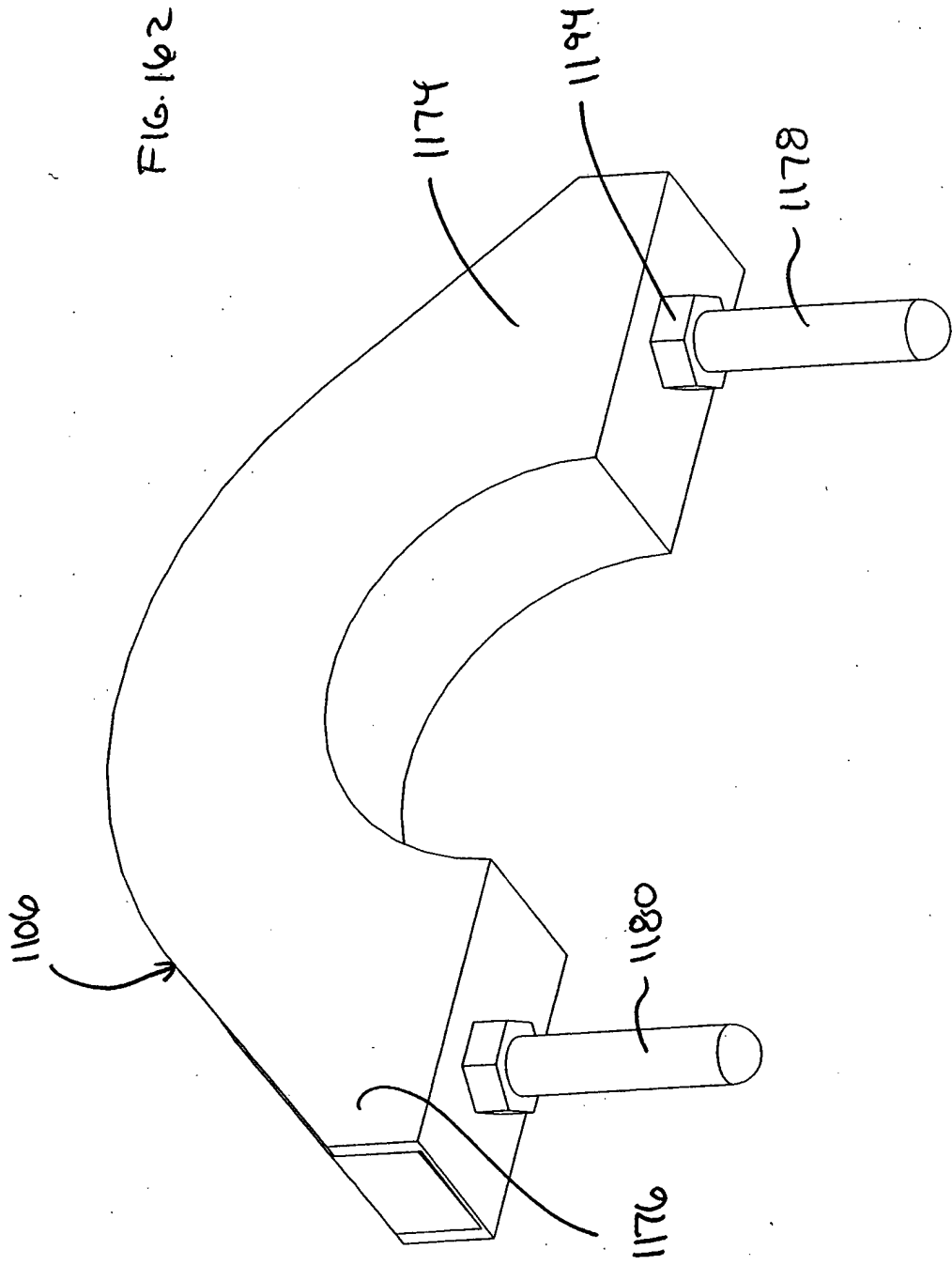
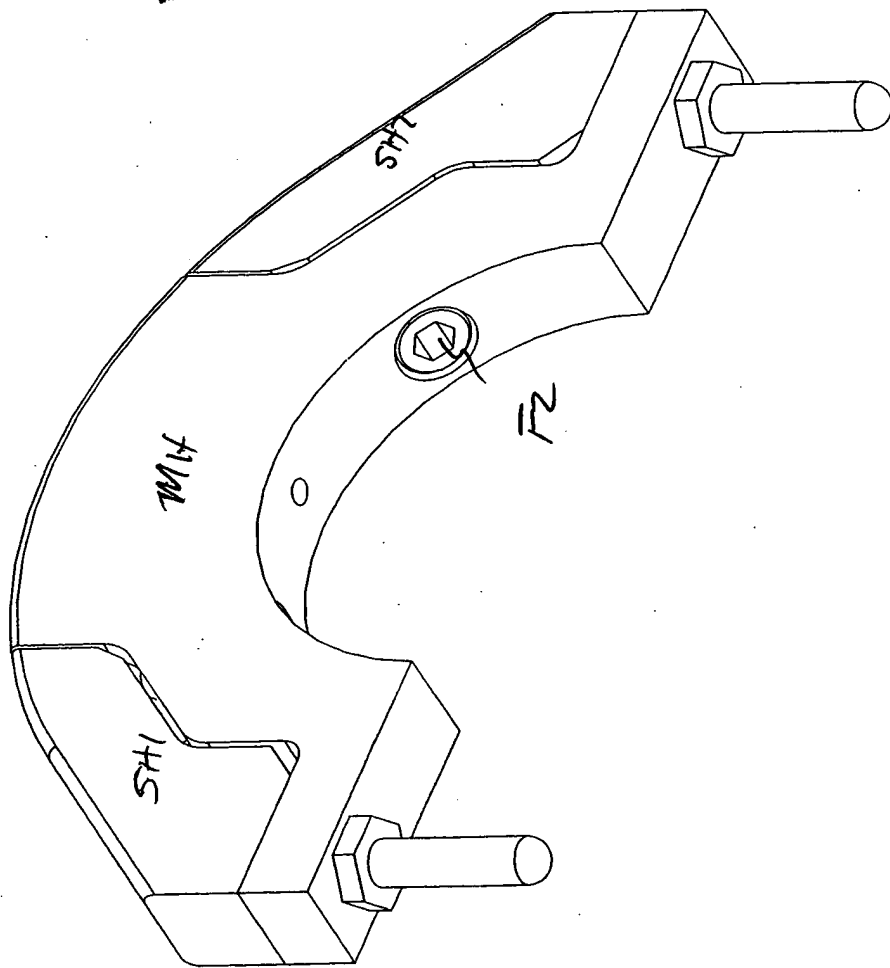




FIG. 162A



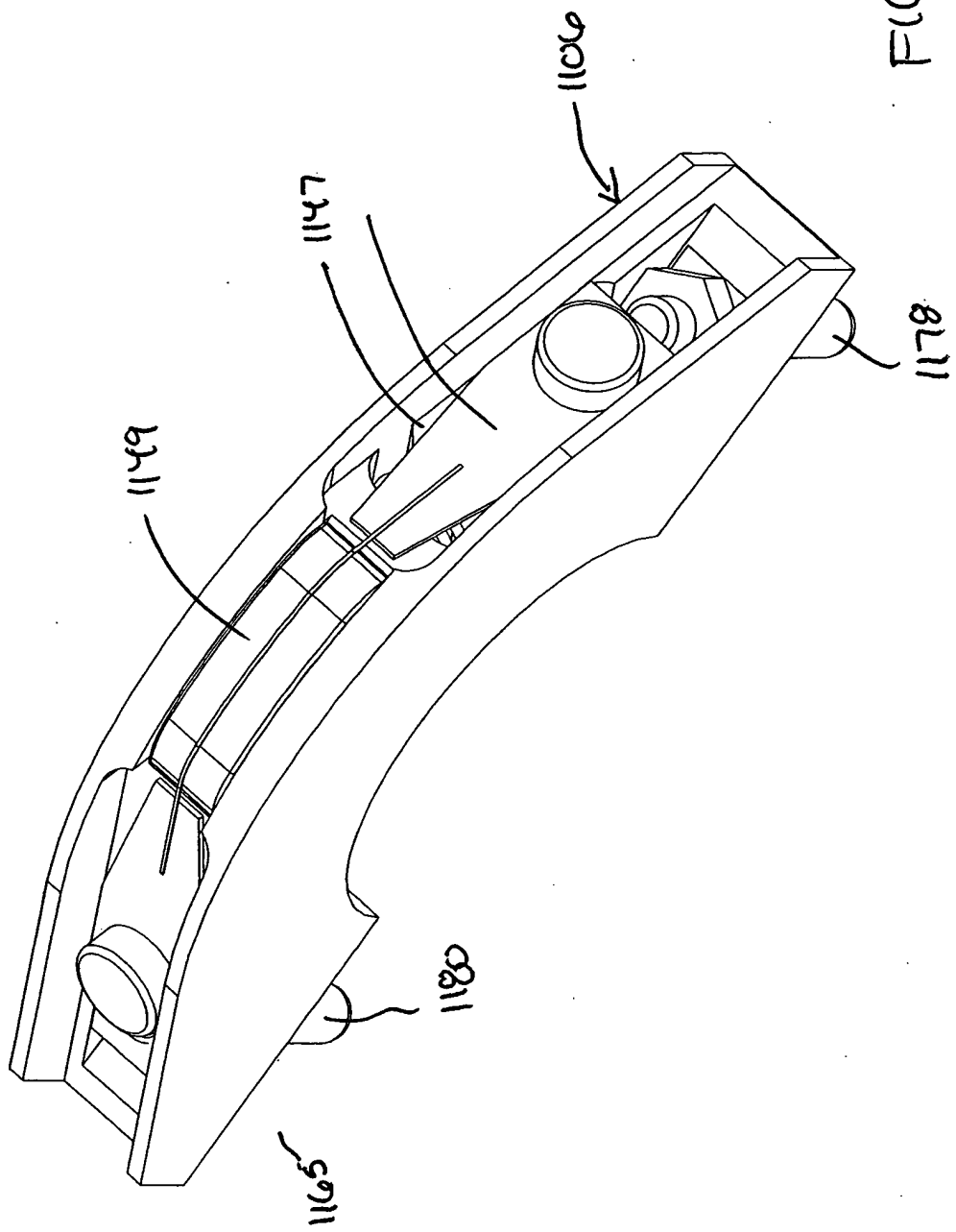


FIG. 163

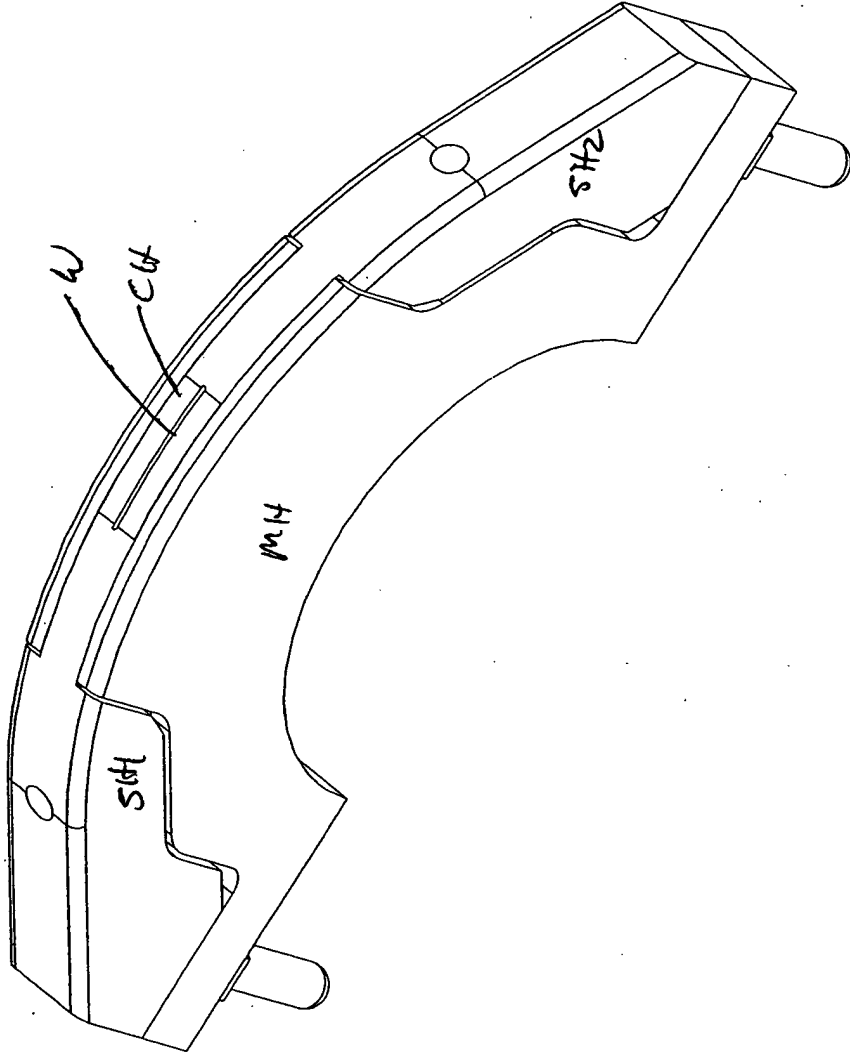


FIG. 163A

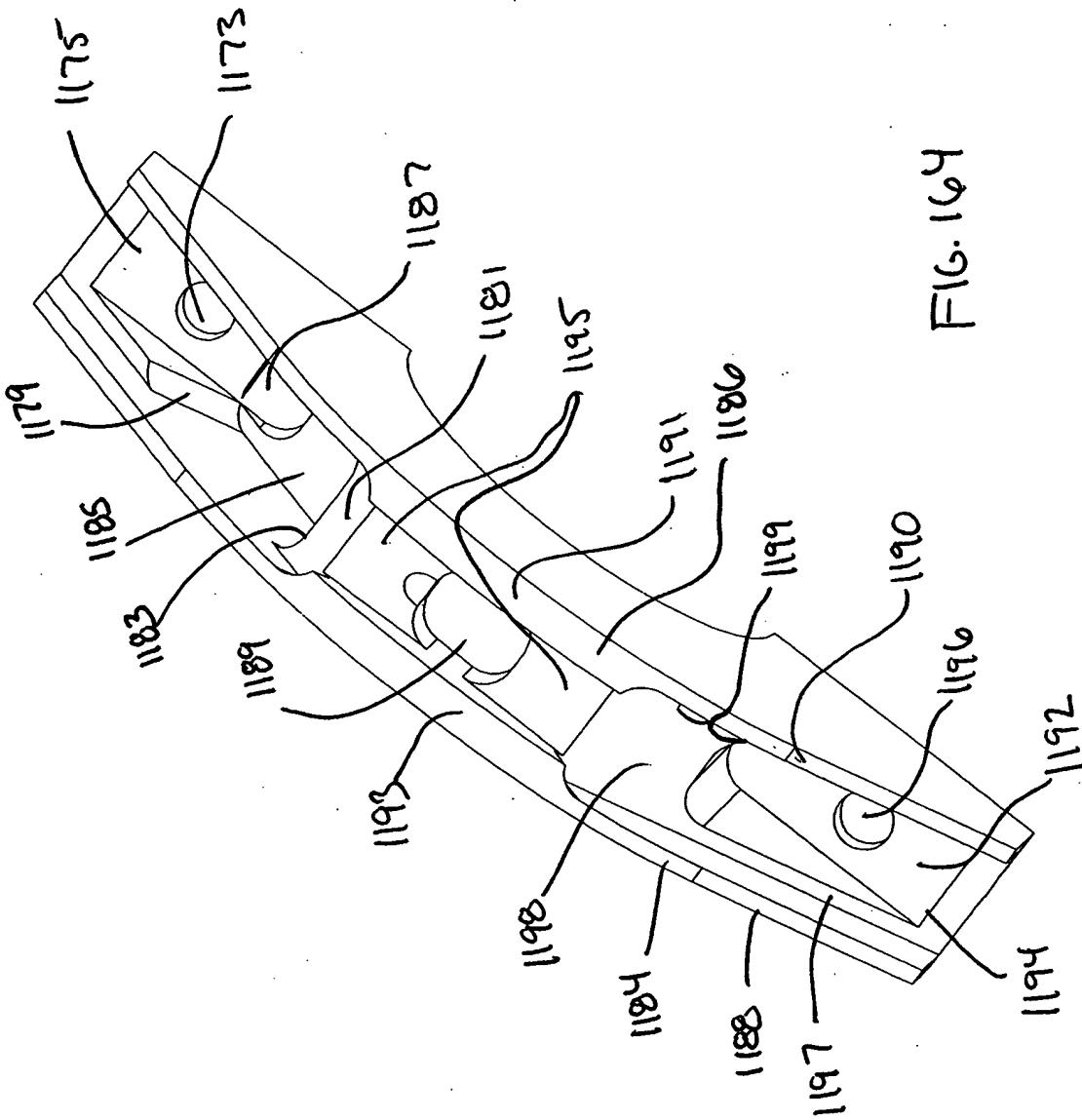


FIG. 164

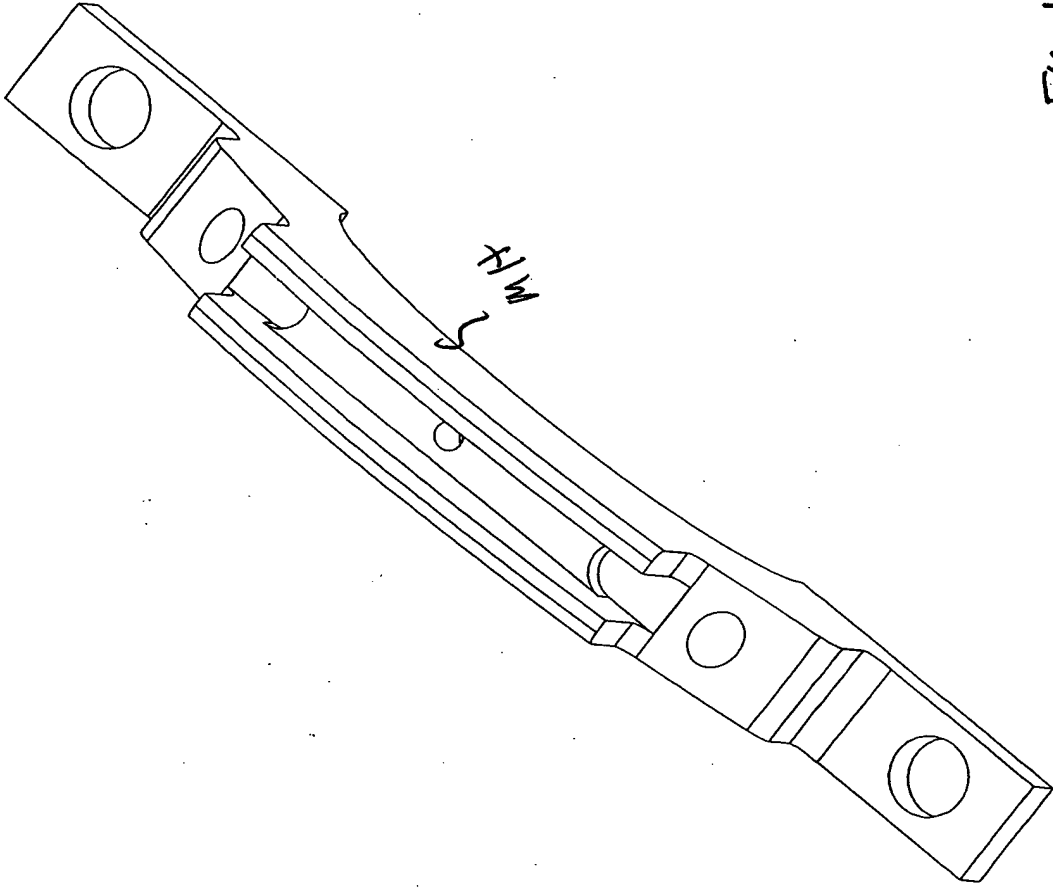


FIG. 1641A

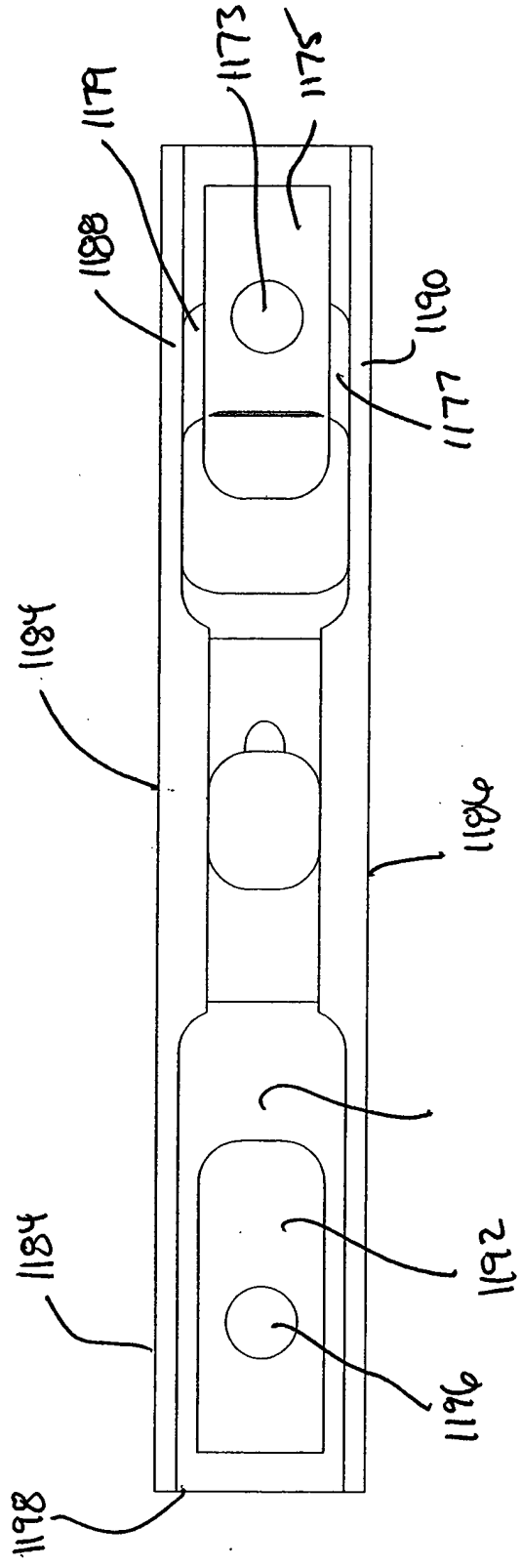


FIG. 165

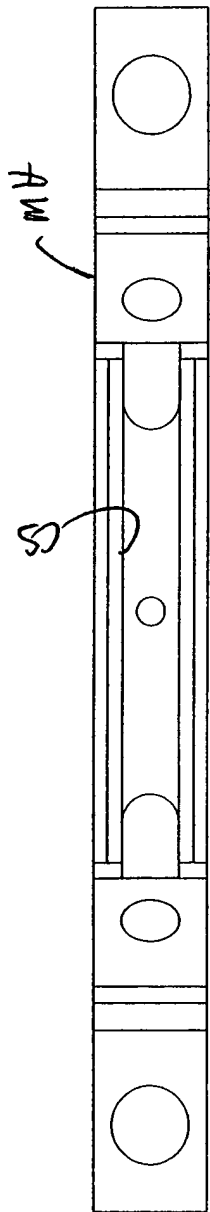


FIG. 165A

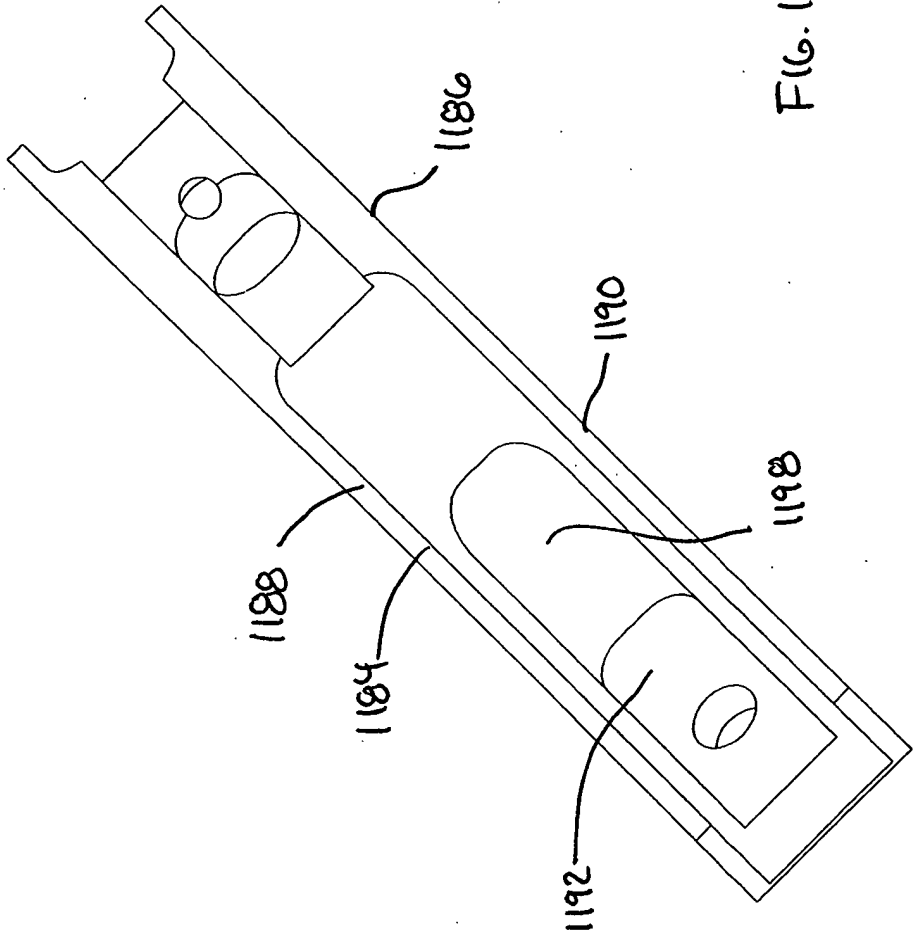


FIG. 166



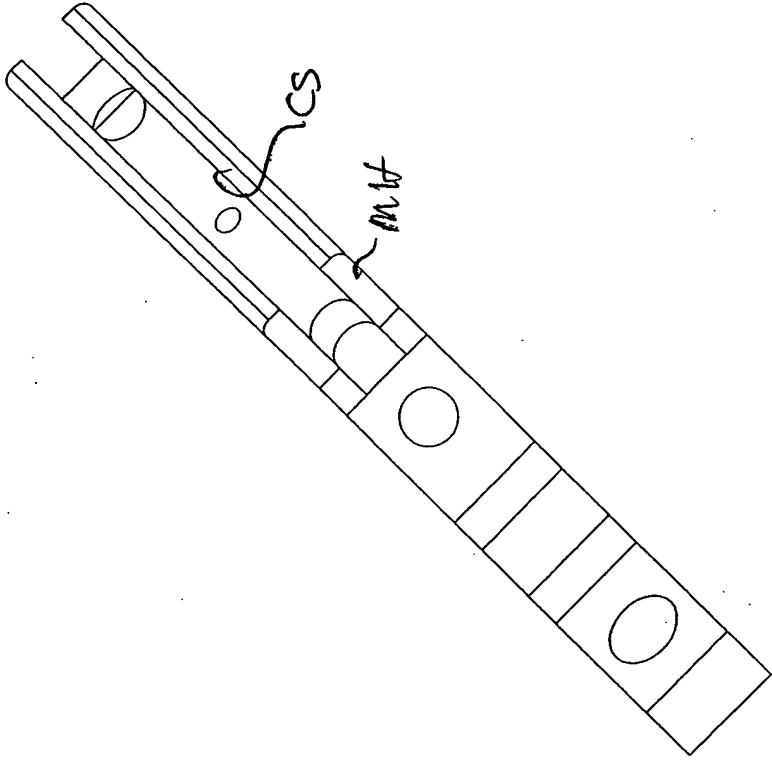
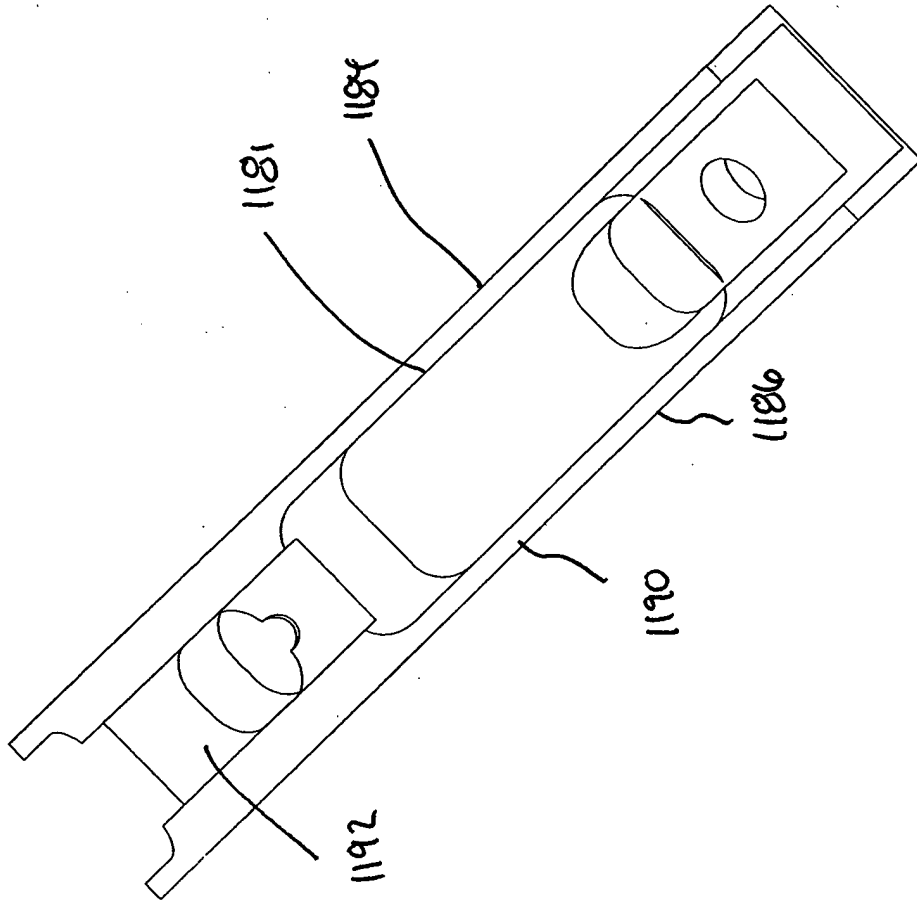


FIG. 1666A

FIG. 167



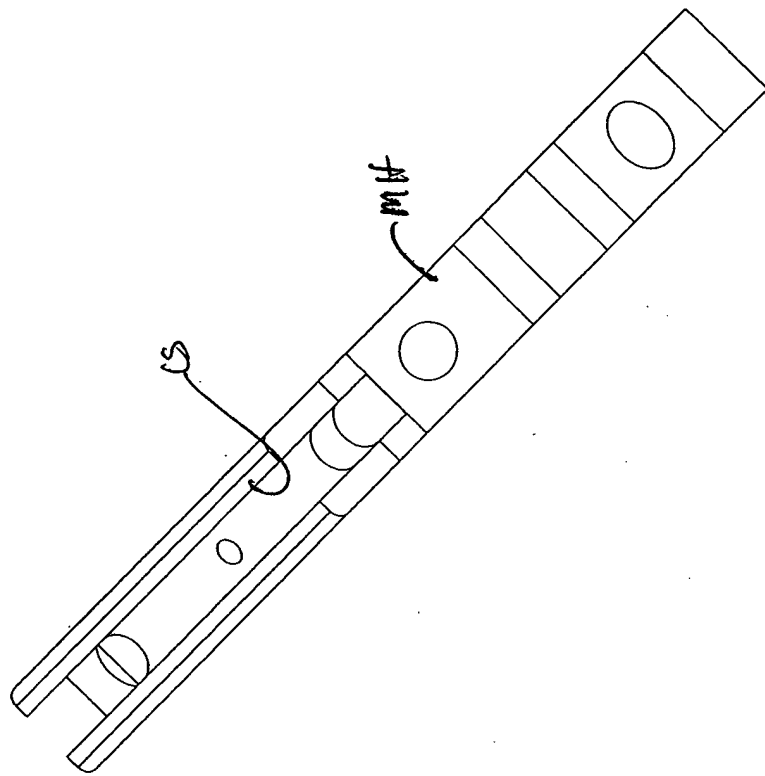


FIG. 16ZM

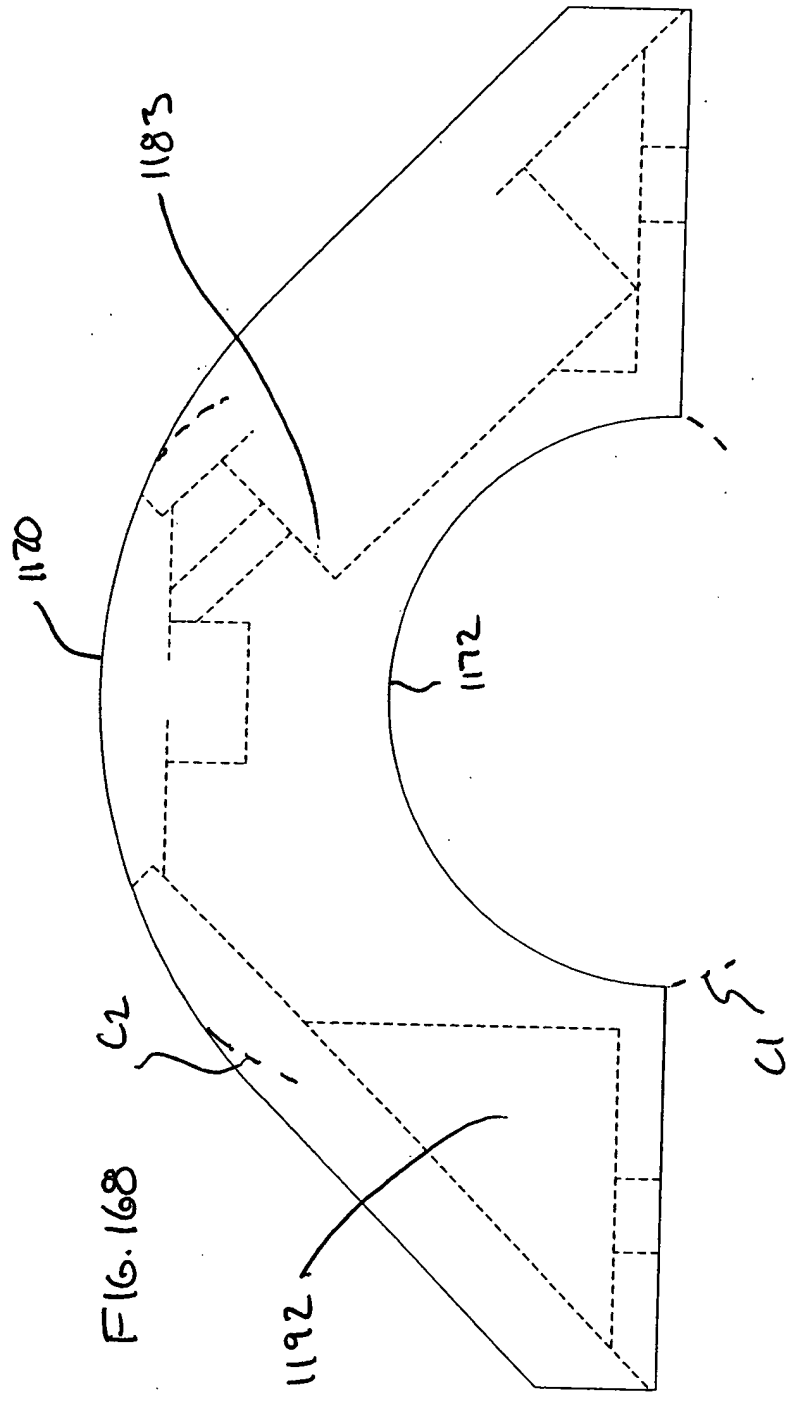


FIG. 168

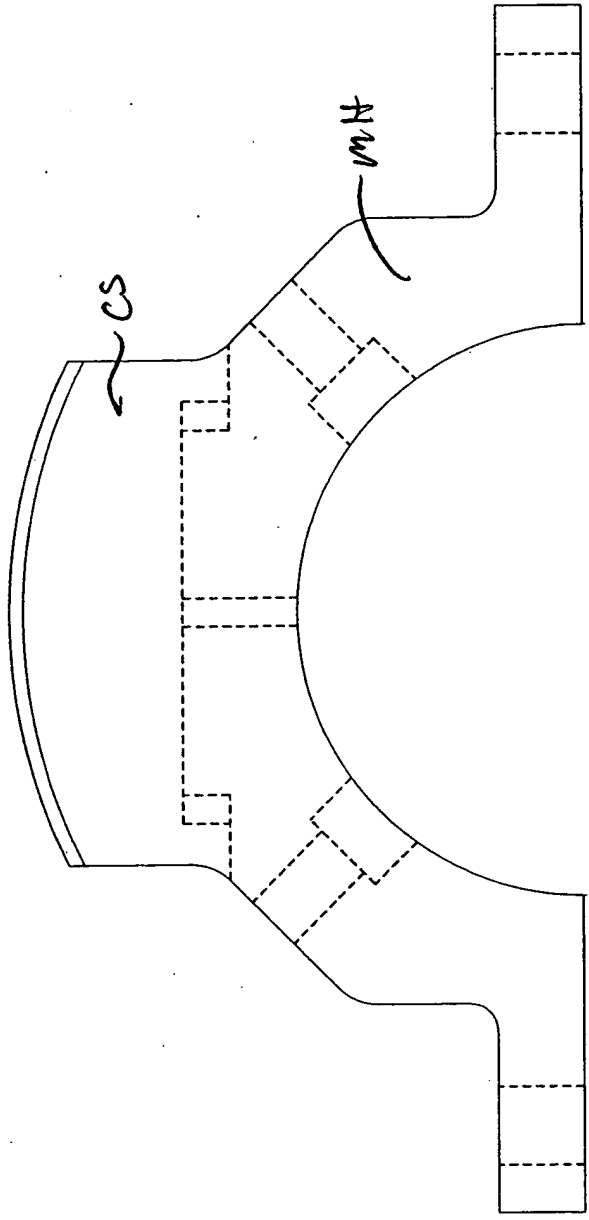


FIG. 1681A

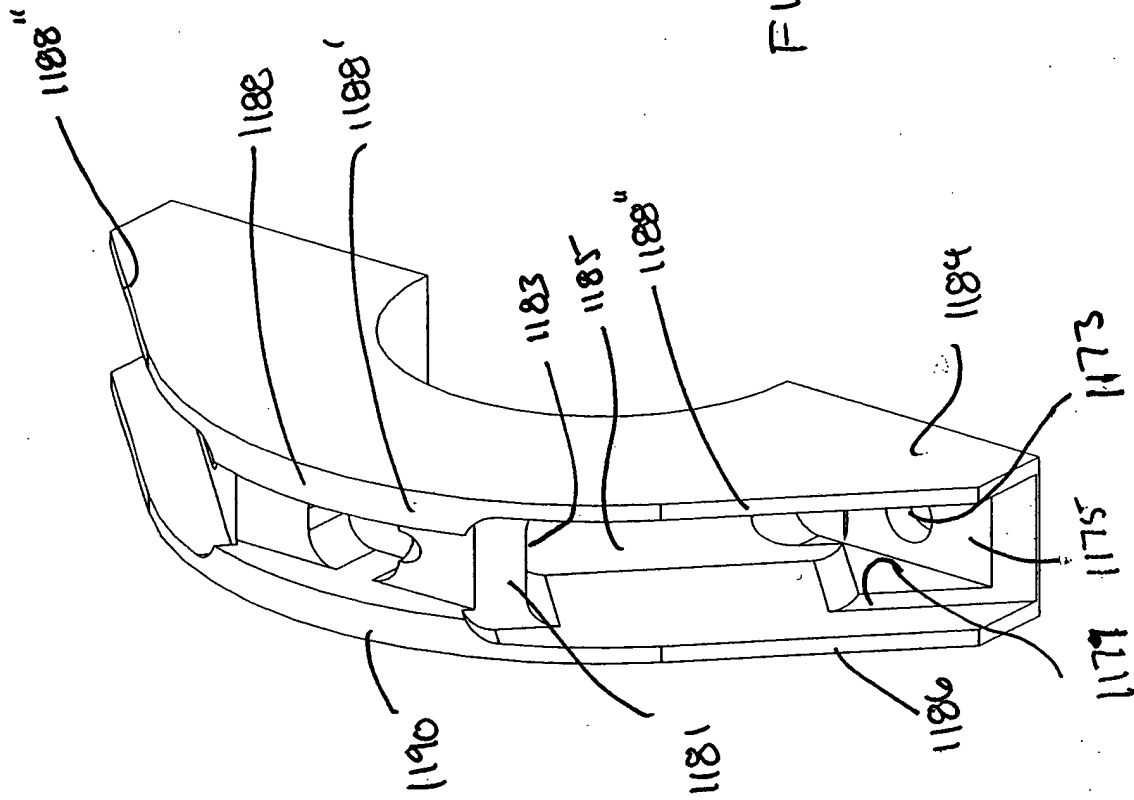


FIG. 169

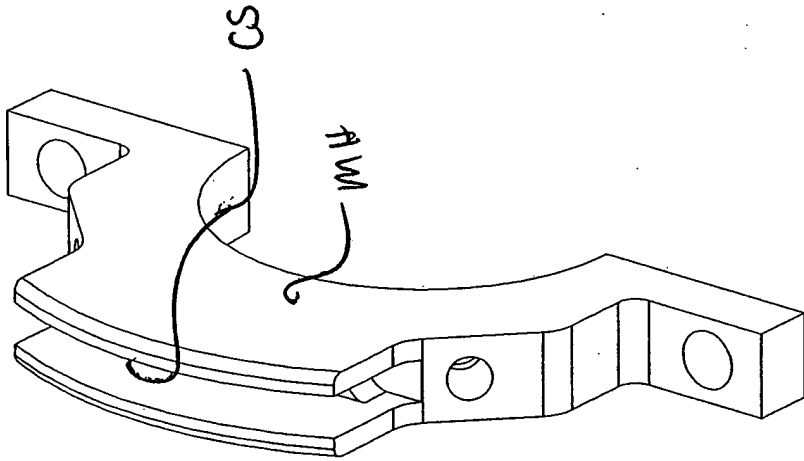
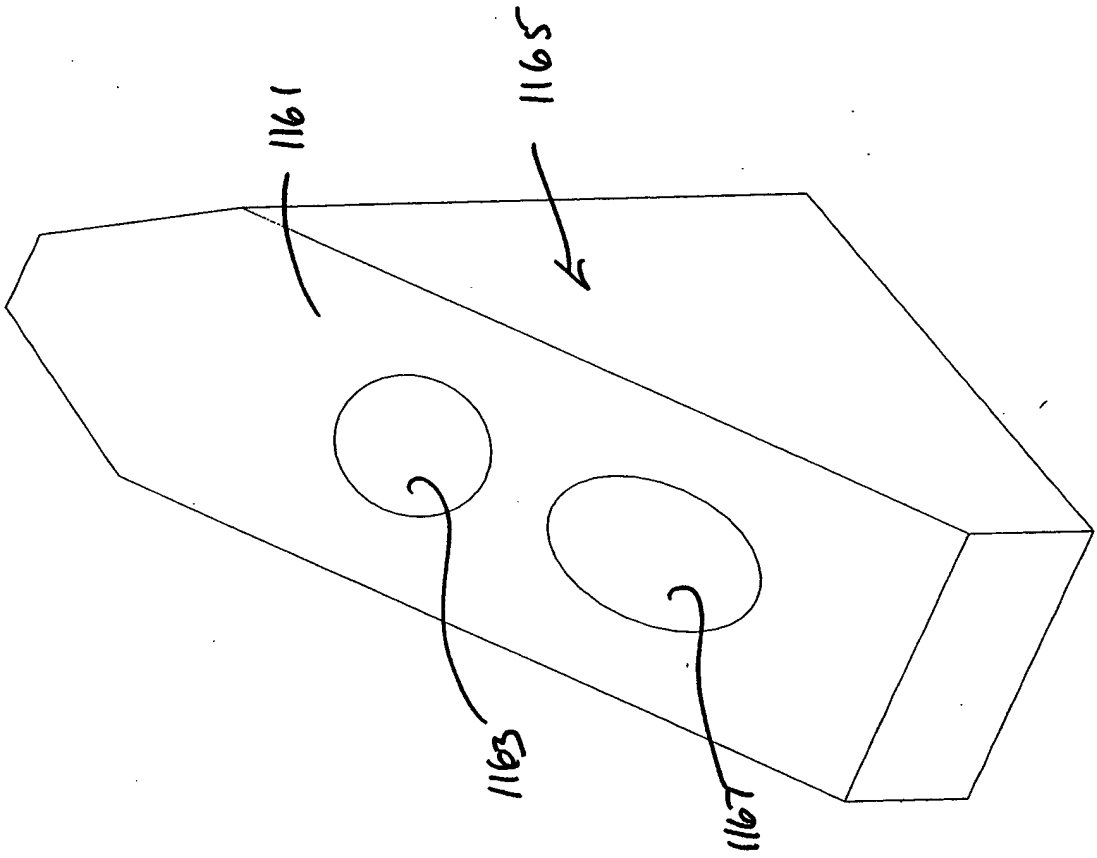


FIG. 169A

FIG. 170





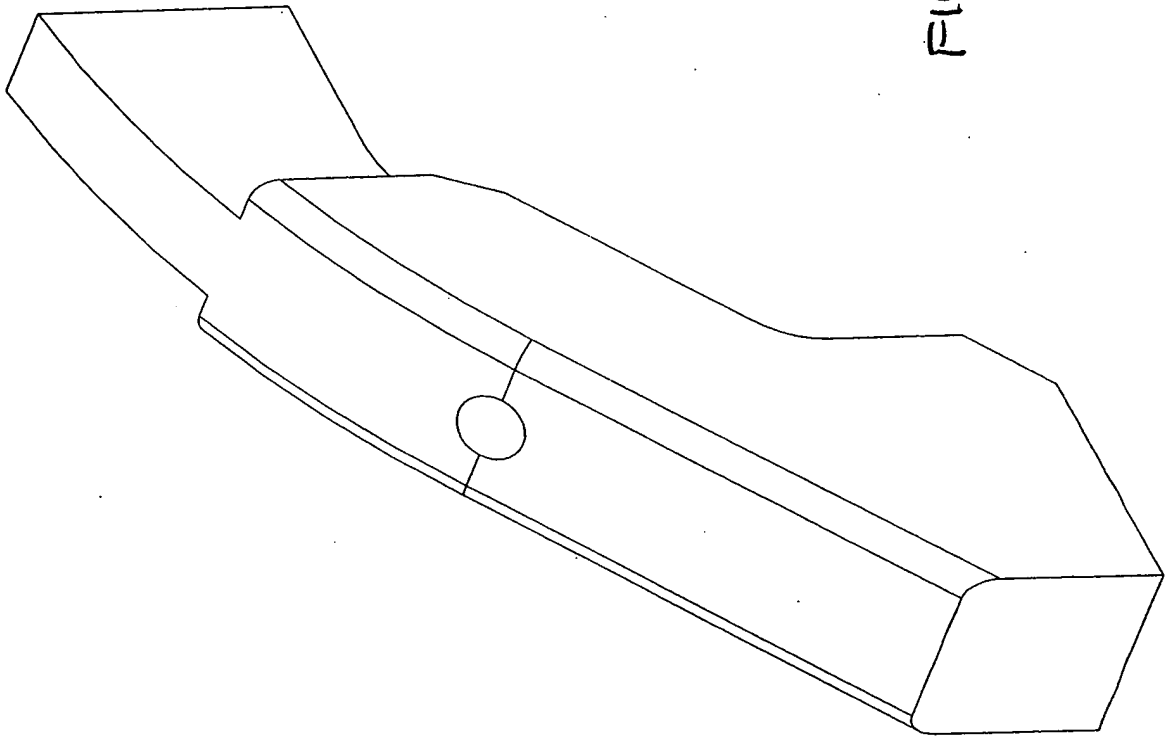
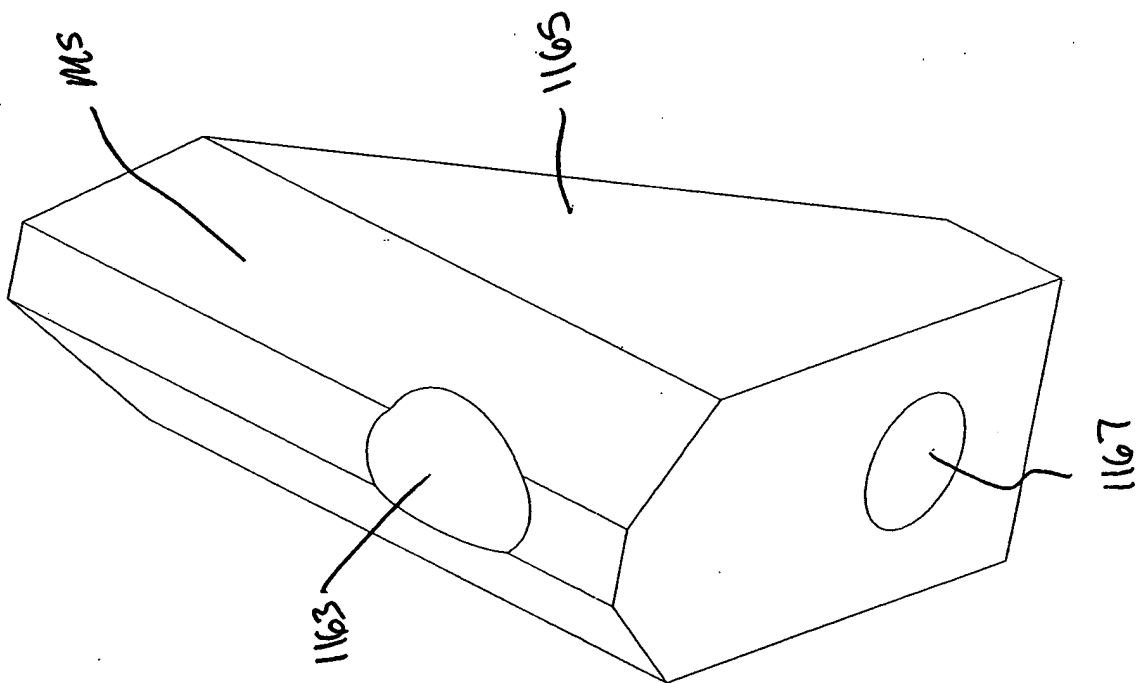


FIG. 170A

FIG. 171



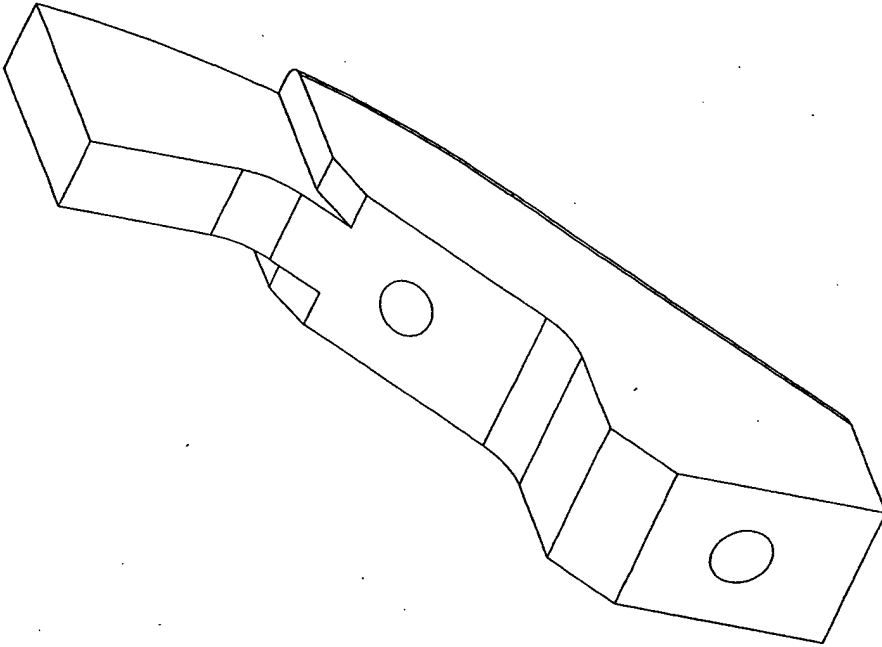


FIG. 171A

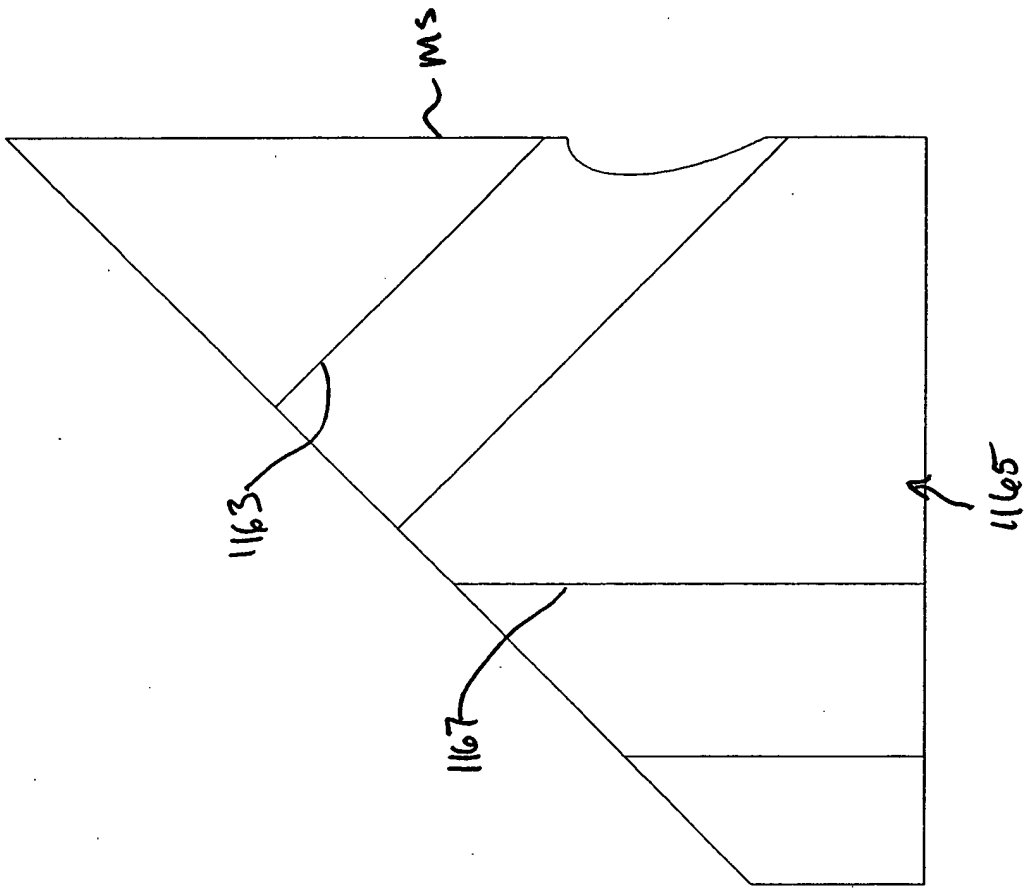


FIG. 172

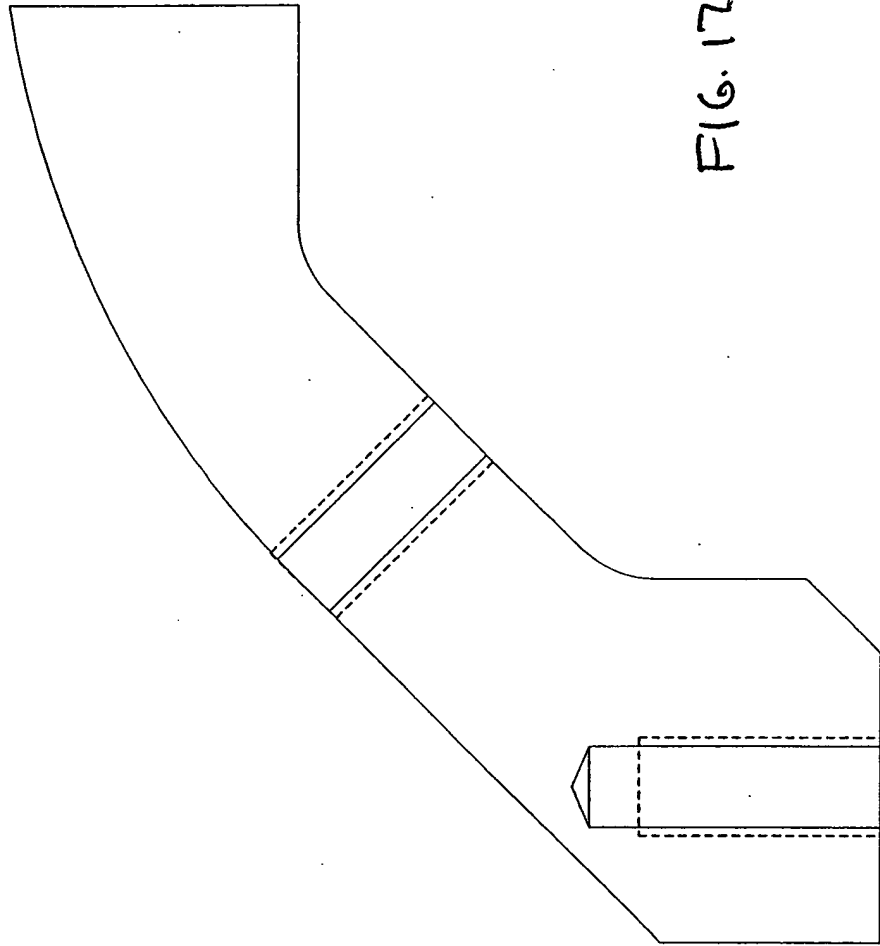
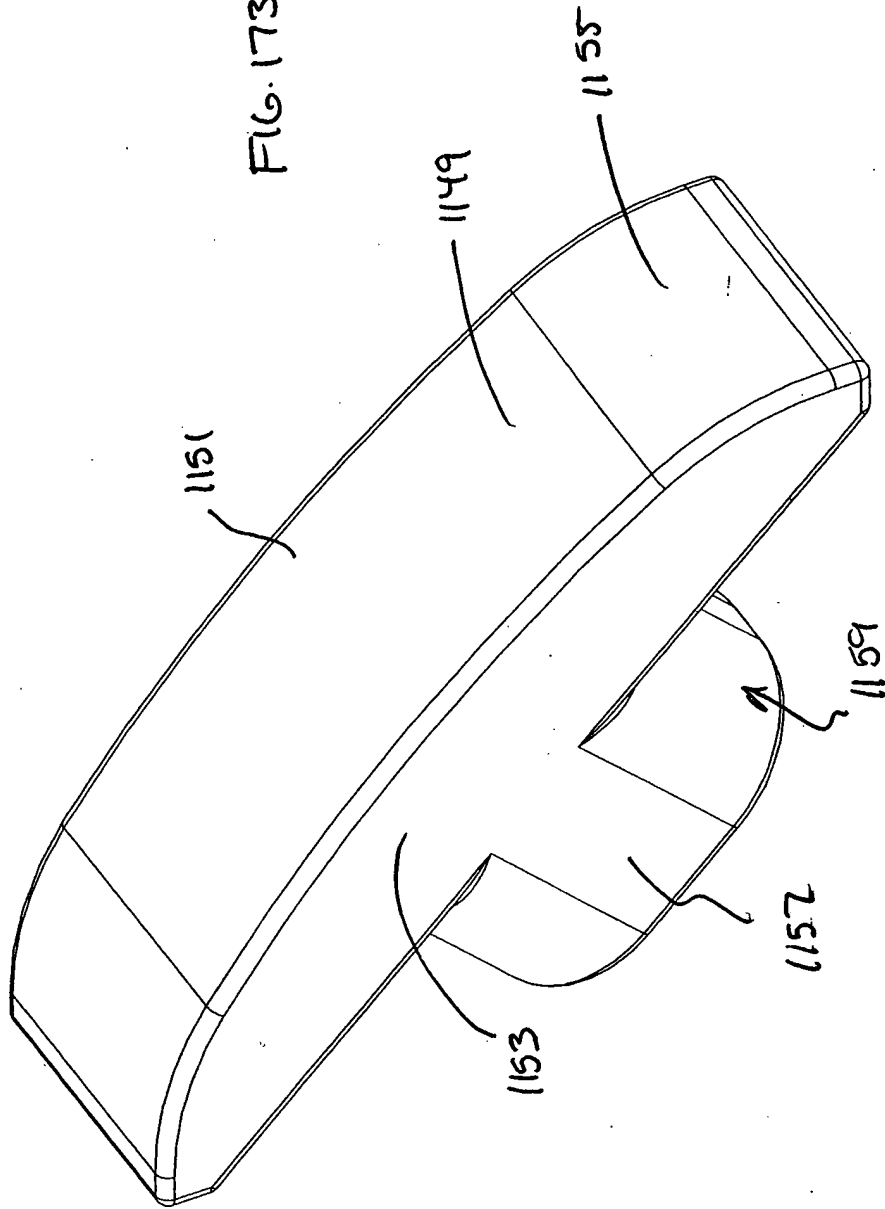


FIG. 172A

FIG. 173A



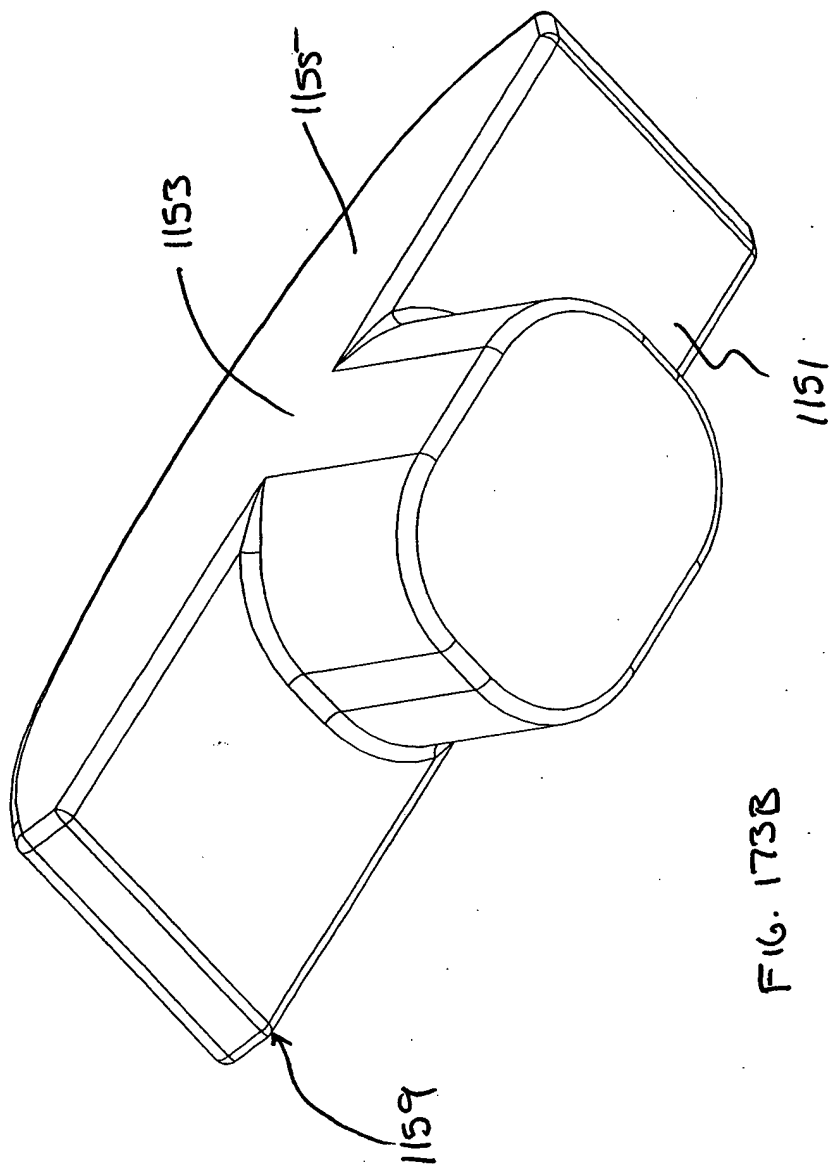


FIG. 173B

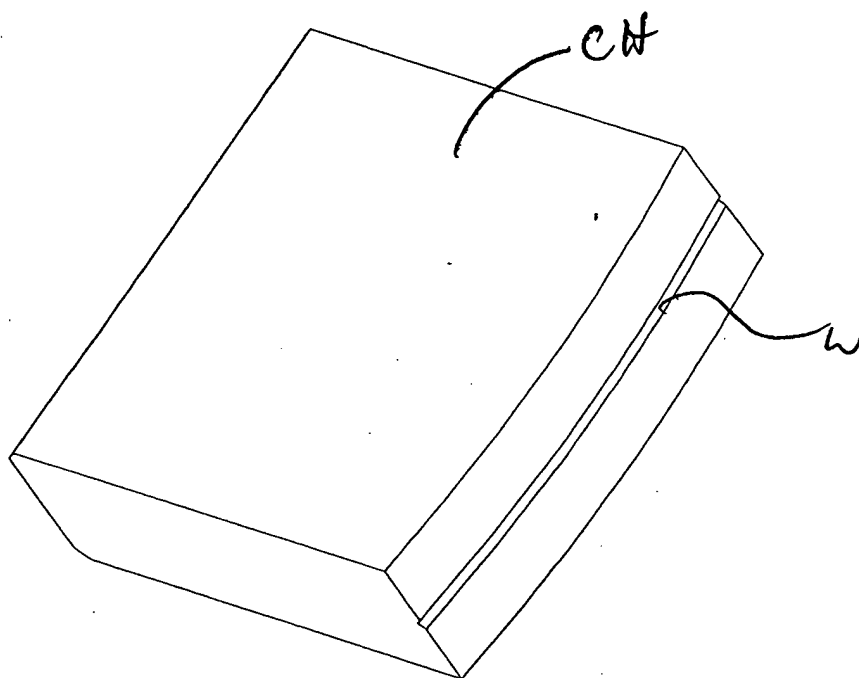


FIG. 173C



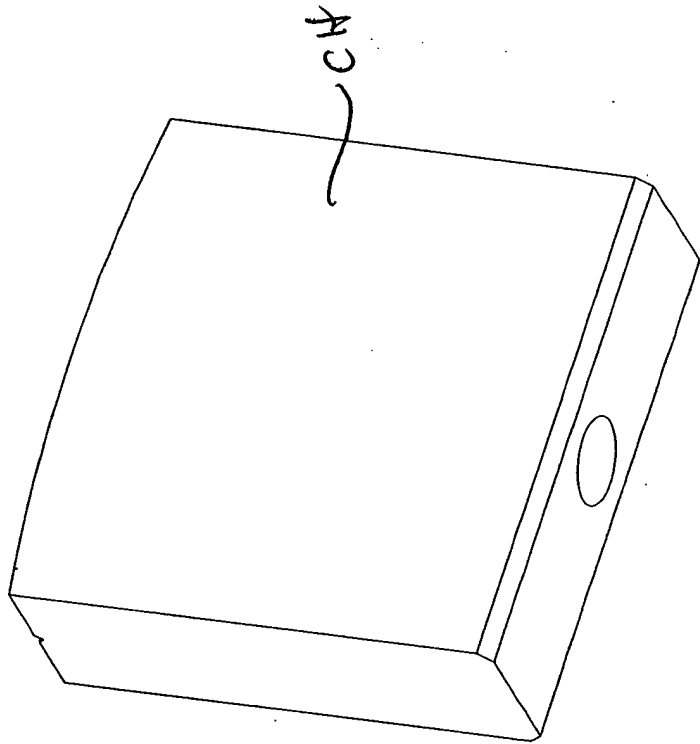
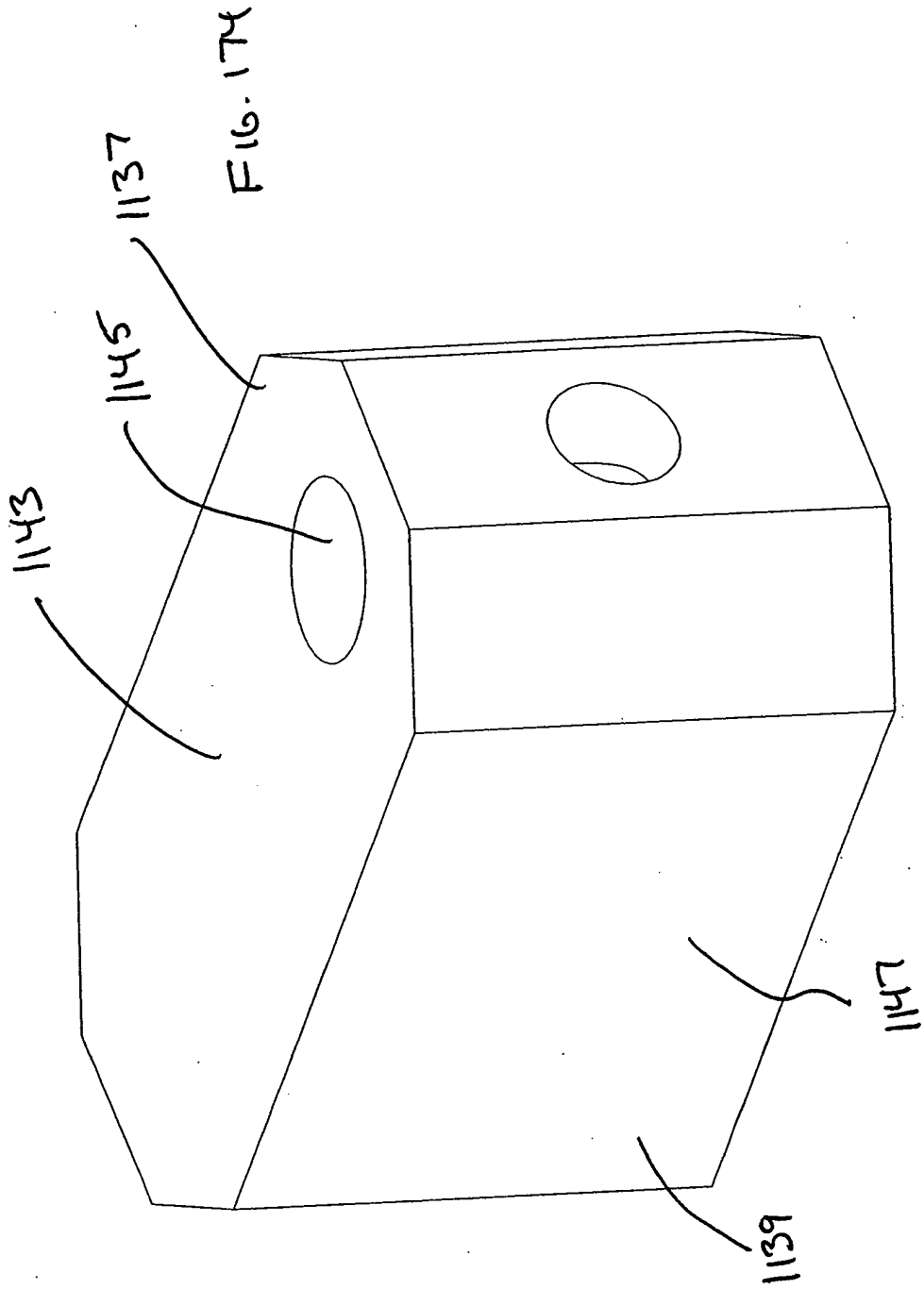


FIG. 173D



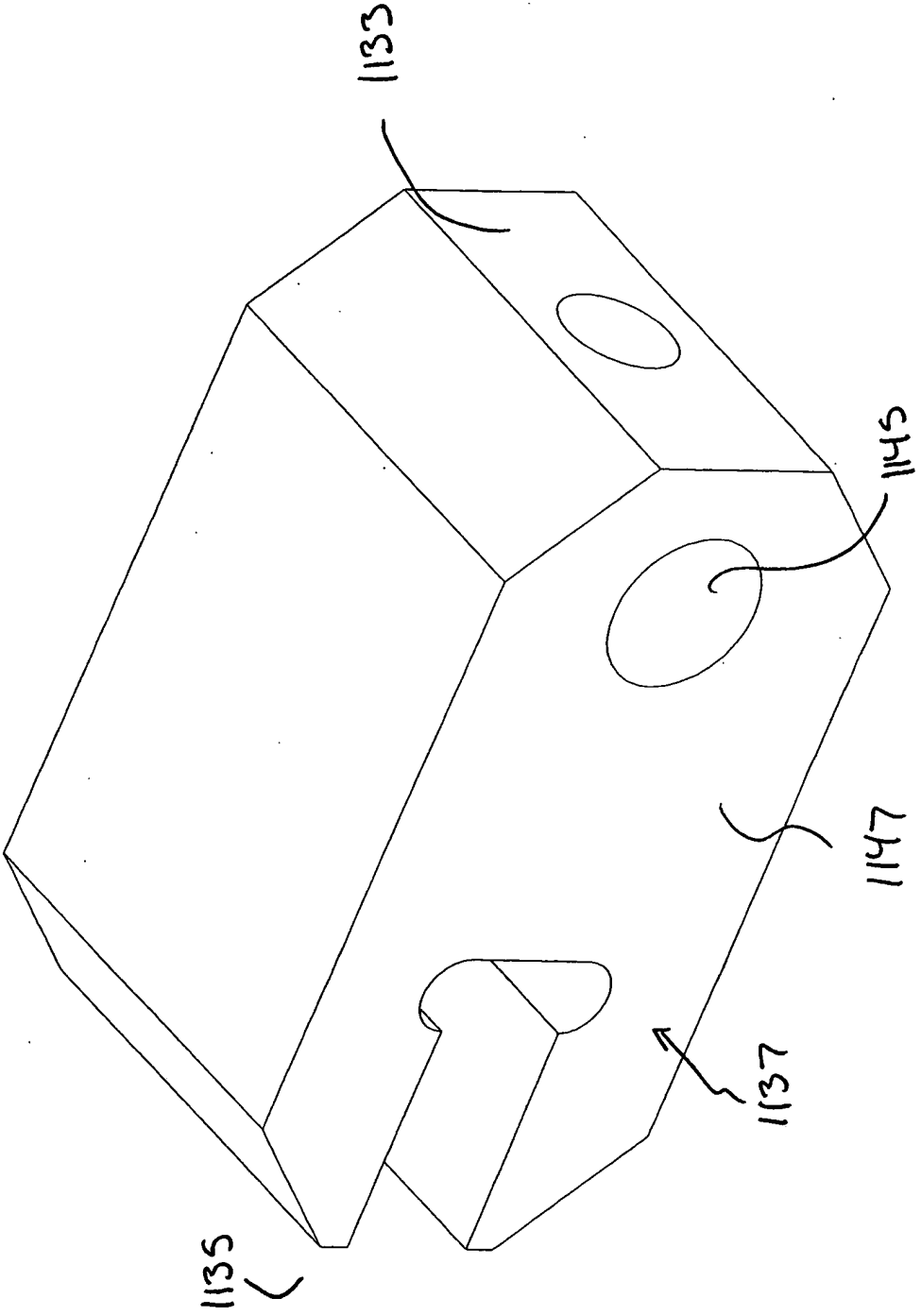
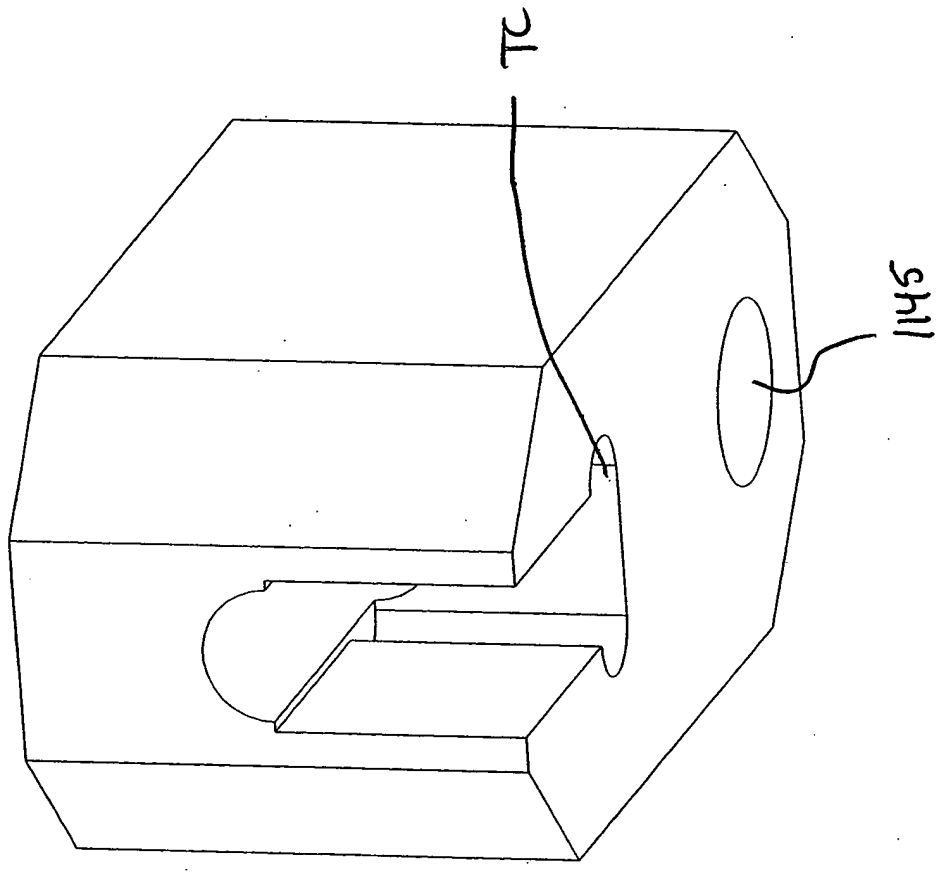


FIG. 175

FIG. 17C



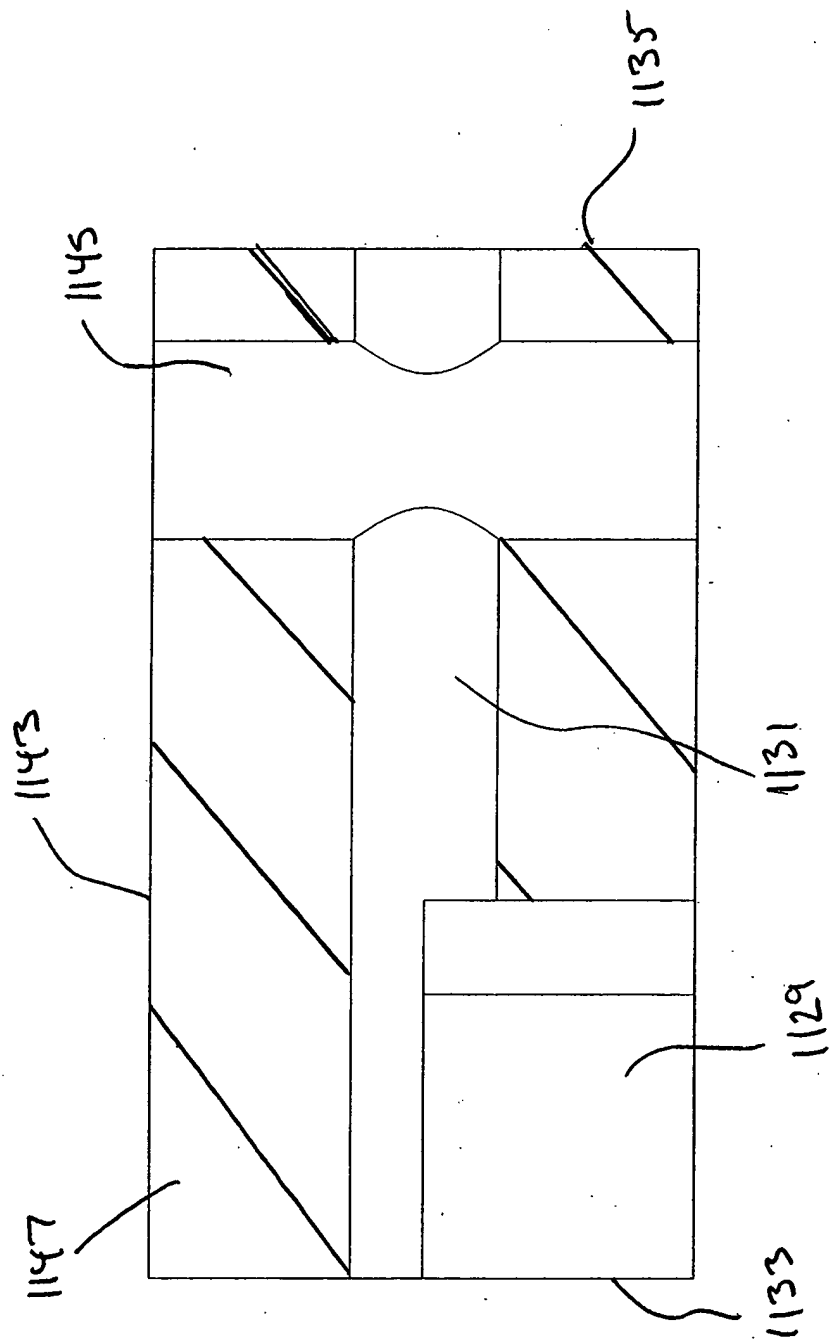


FIG. 177

1113 (iii)

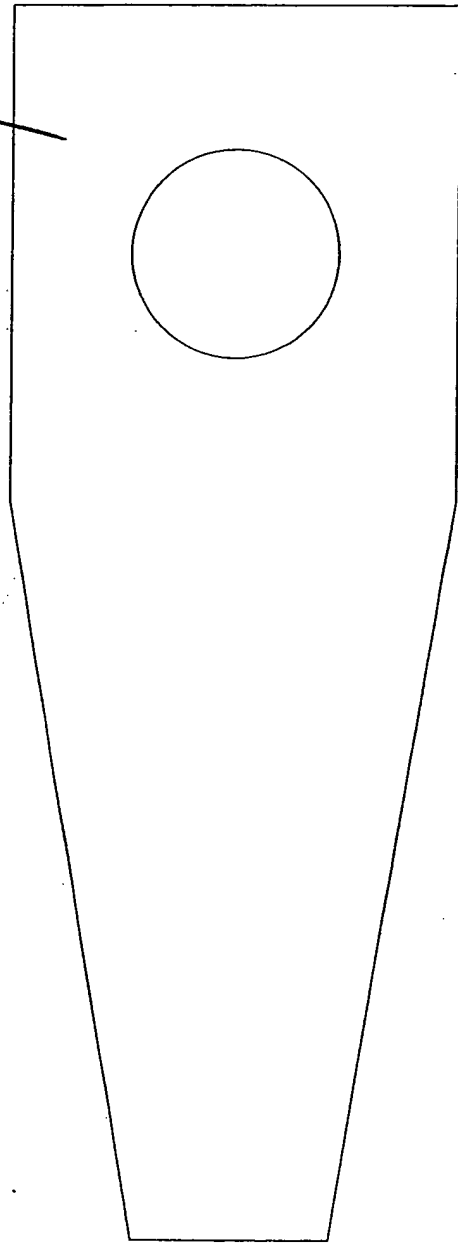


FIG. 178

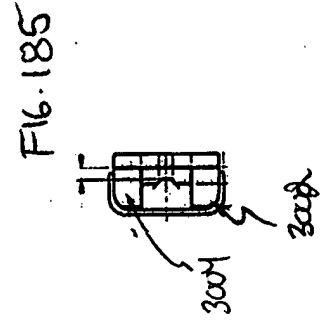
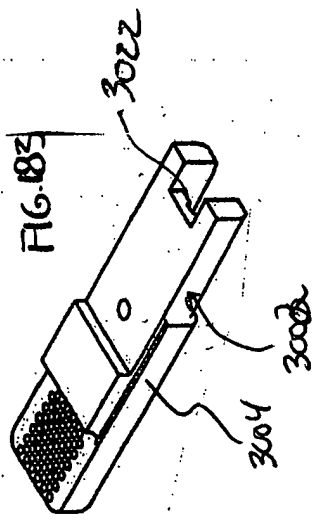
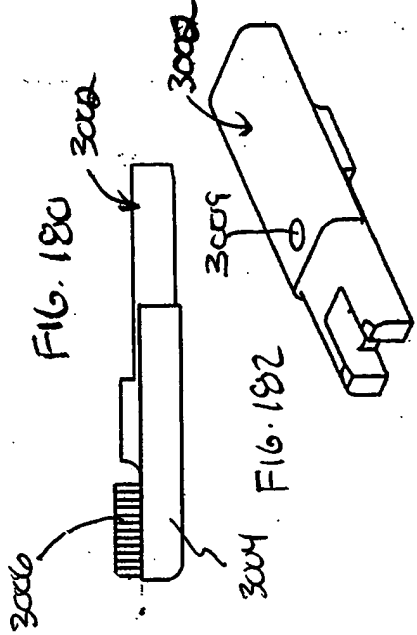
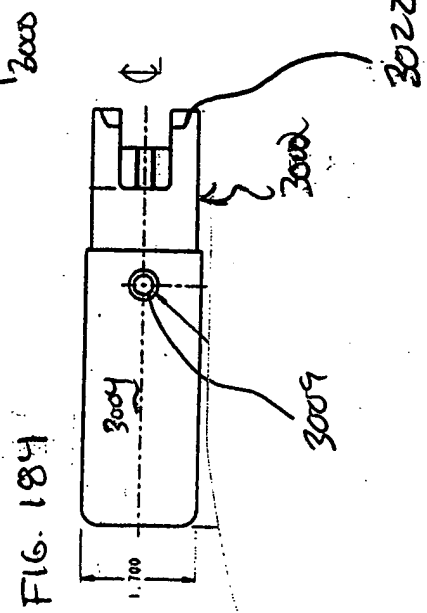
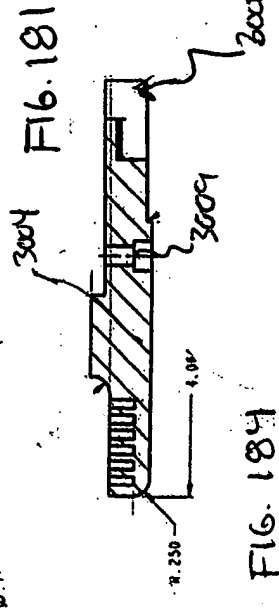
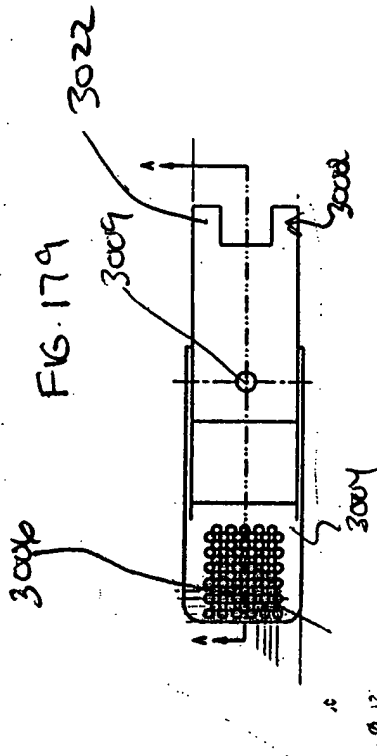


FIG. 186

Display, Controls,  
& Power Distribution

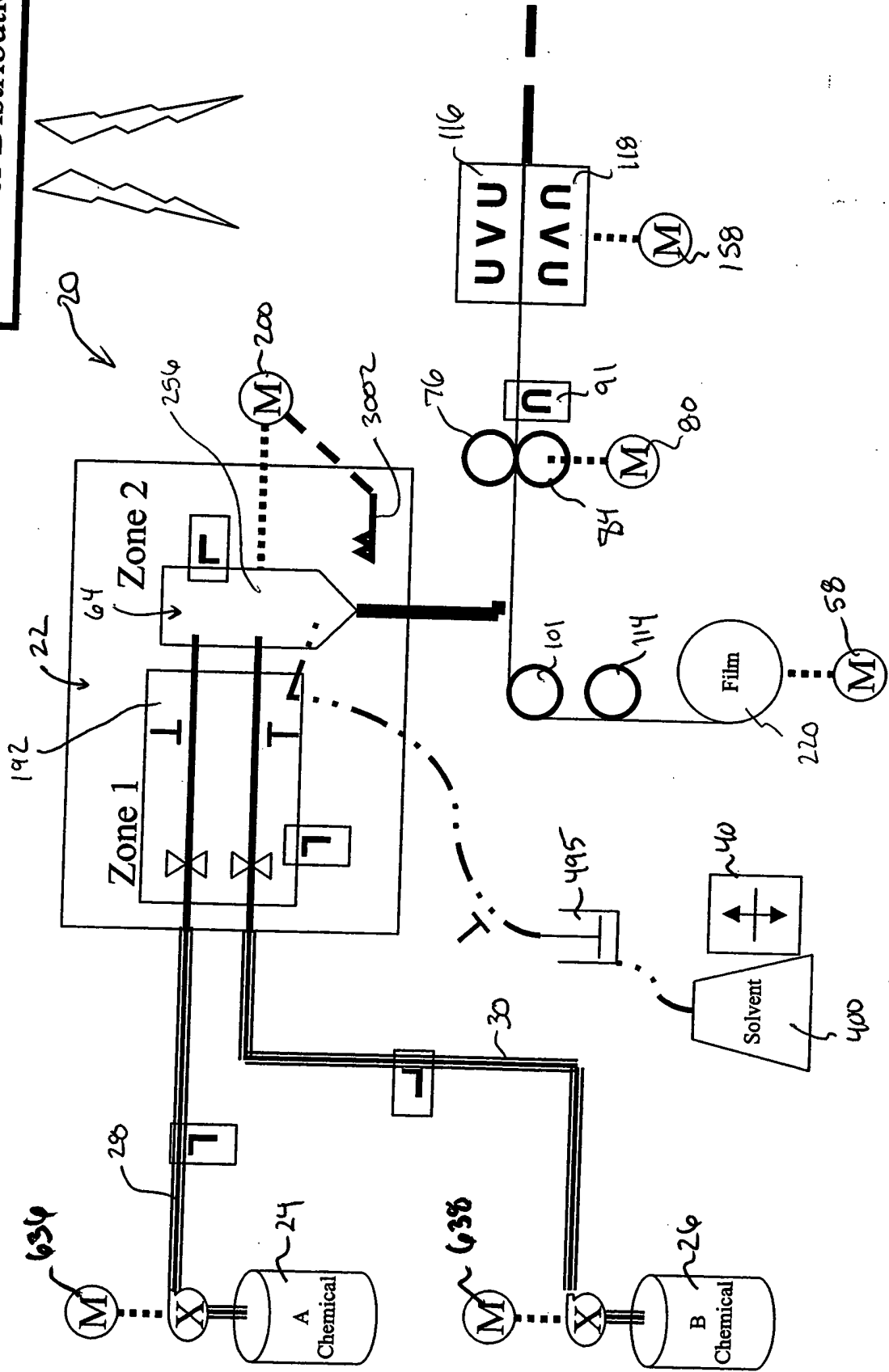





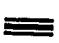
FIG. 186A

# Legend


 = Motor

 = Linkage

 = Pump

 = Pump Shaft/Hose

 = Heating element (all orientations)

 = Filter

 = Pressure Transducer (all orientations)

 = Tip Cleaning Brush


 = Solvent Pump

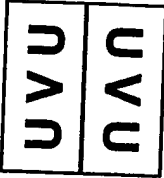
 = Level Sensor

 = Mixing Module +

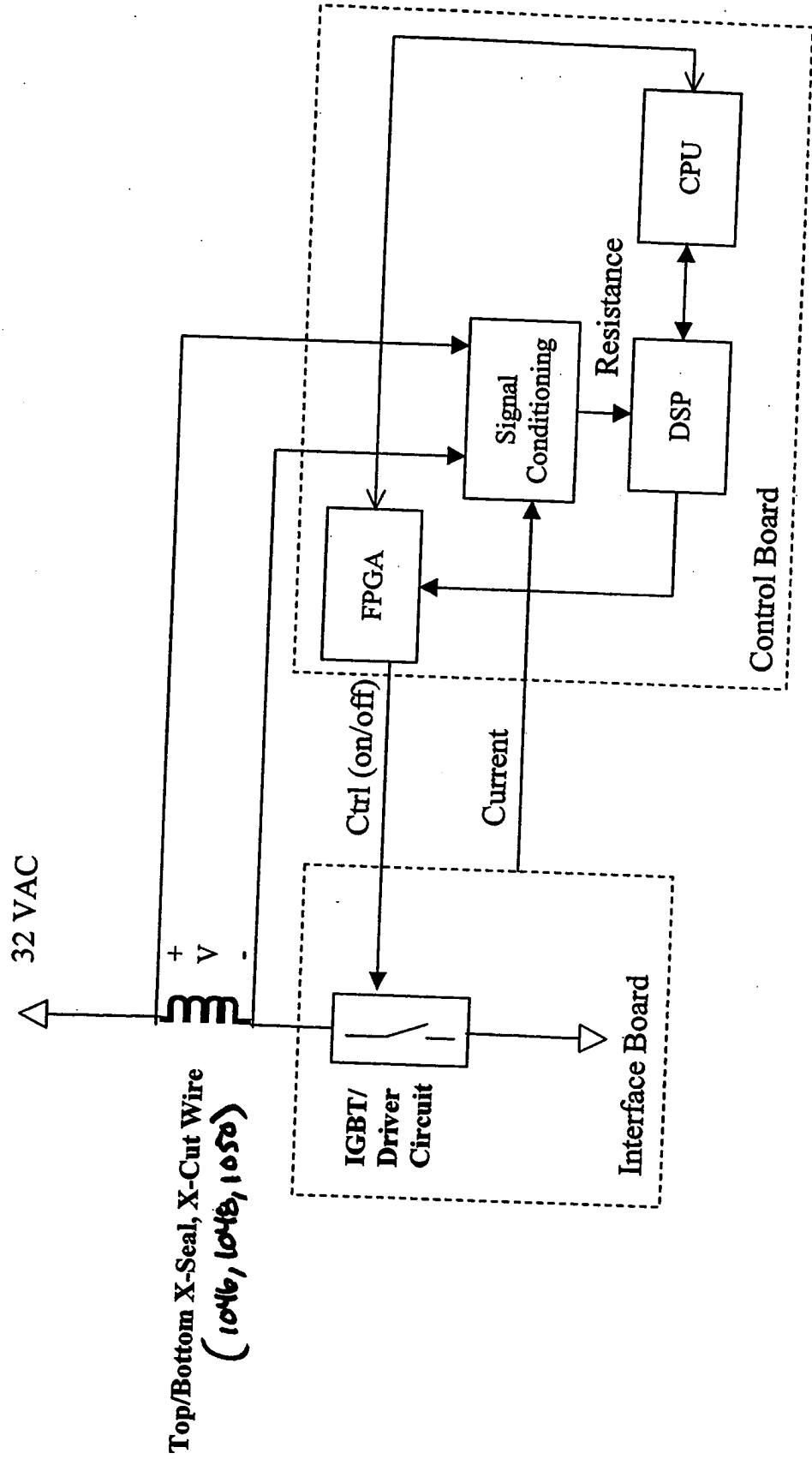
 = Idler Roller

 = Nip Rollers

 = Edge Seal Wire

 = Jaw Assembly  
(X-seal, X-cut,  
X-seal)

# Top/Bottom X-Seal, X-cut



# Edge Seal

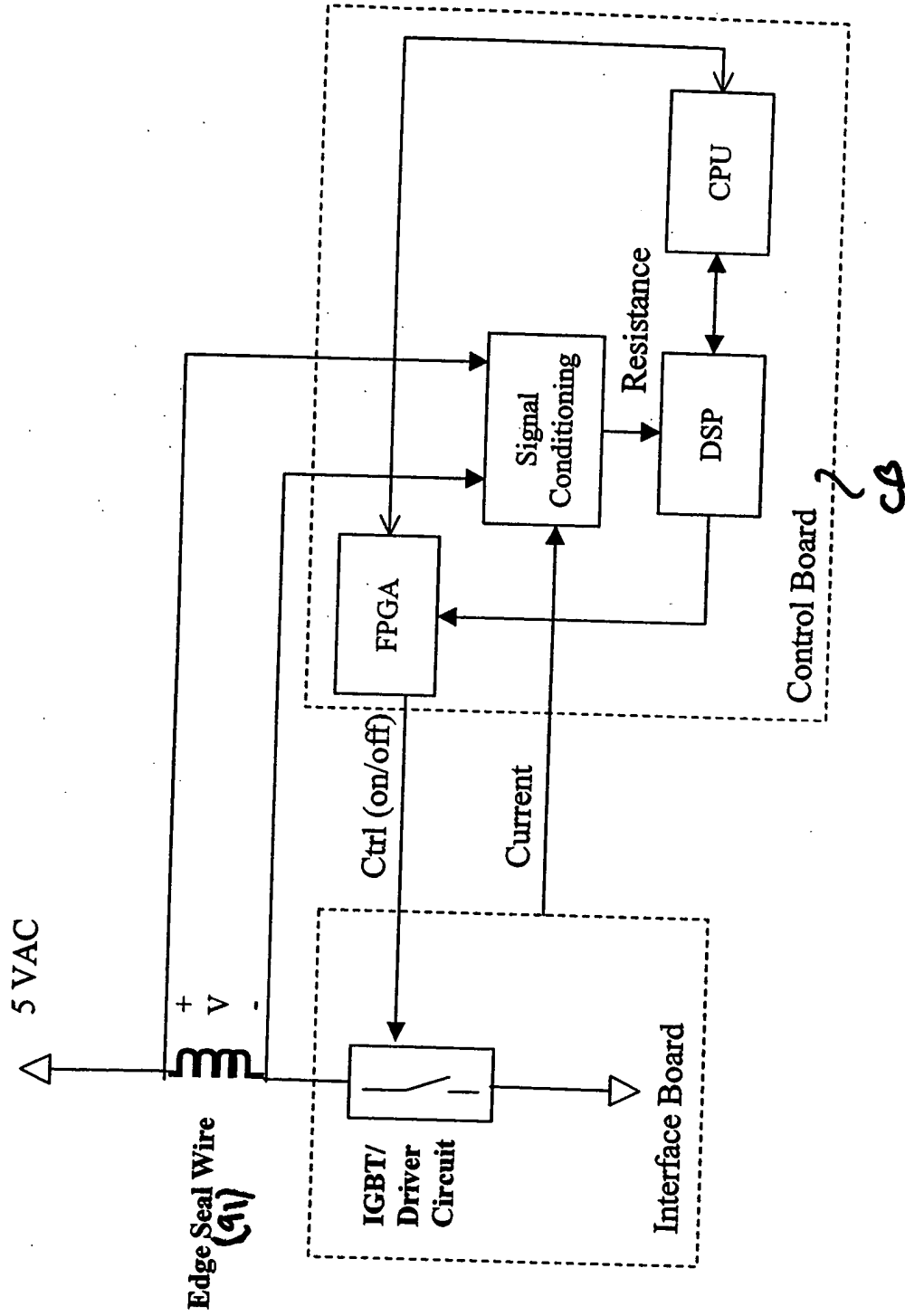


FIG. 108

# Moving Jaw

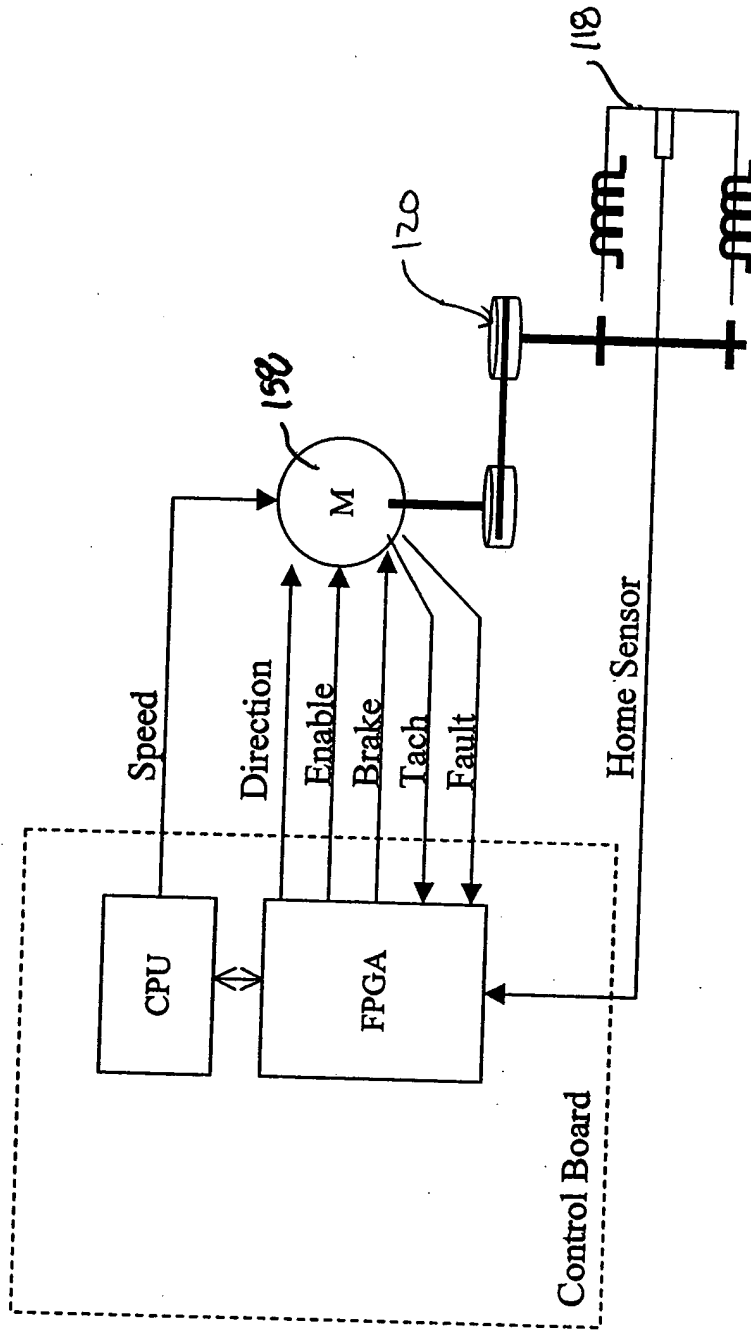


FIG. 189

# Chemical Dispensing/Tip Cleaning

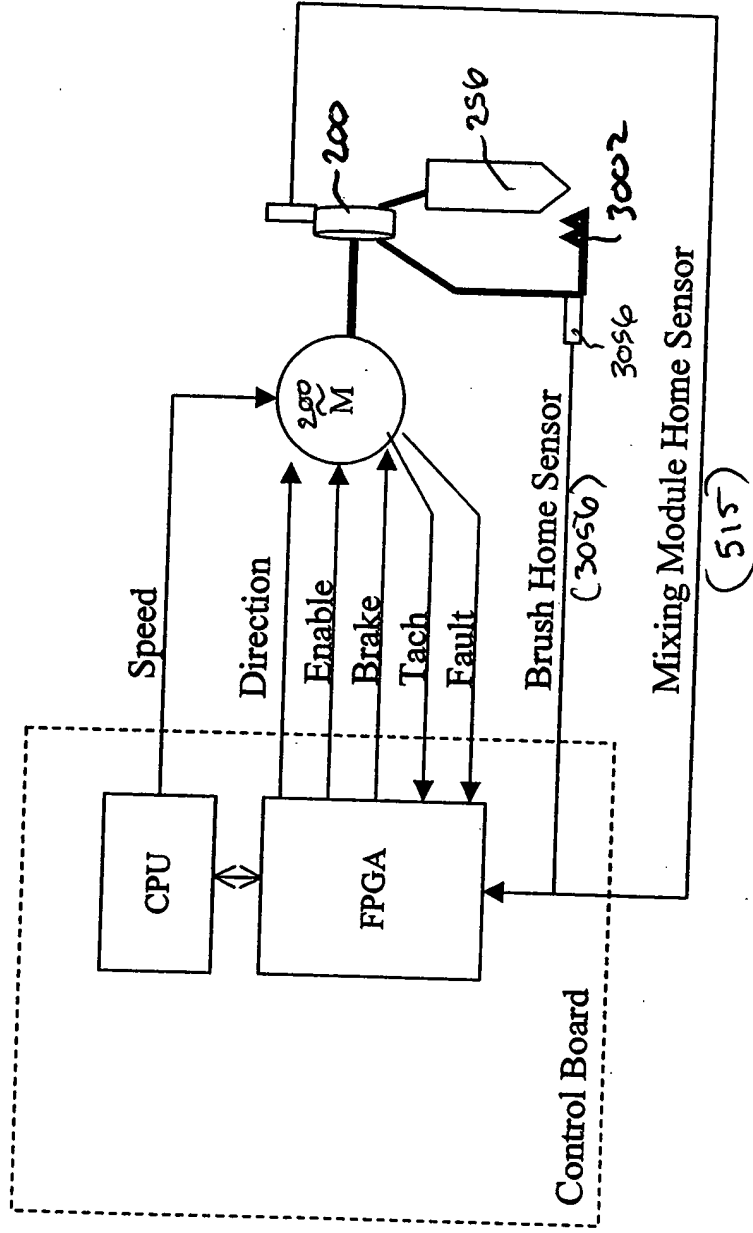


FIG. 190

# Film Advance/Tracking

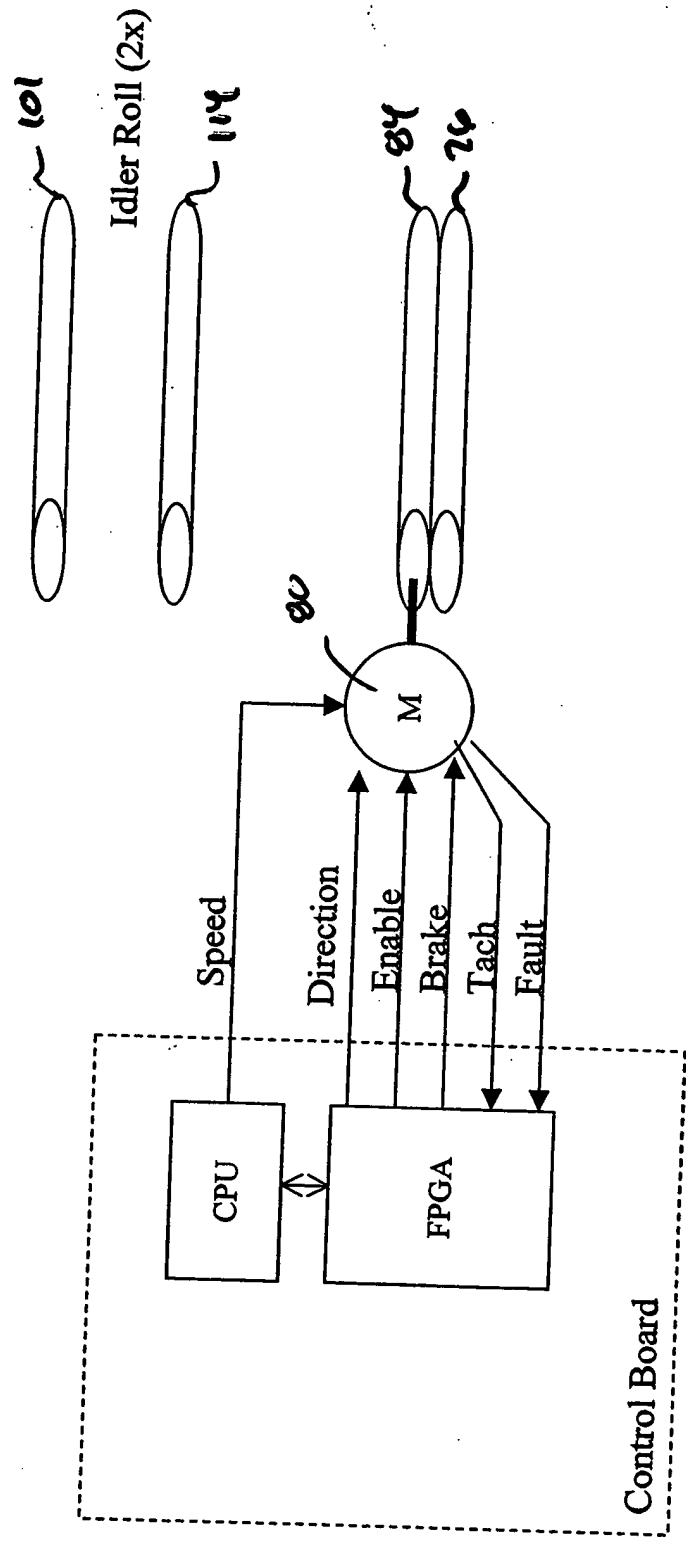


FIG. 191

# Film Tension

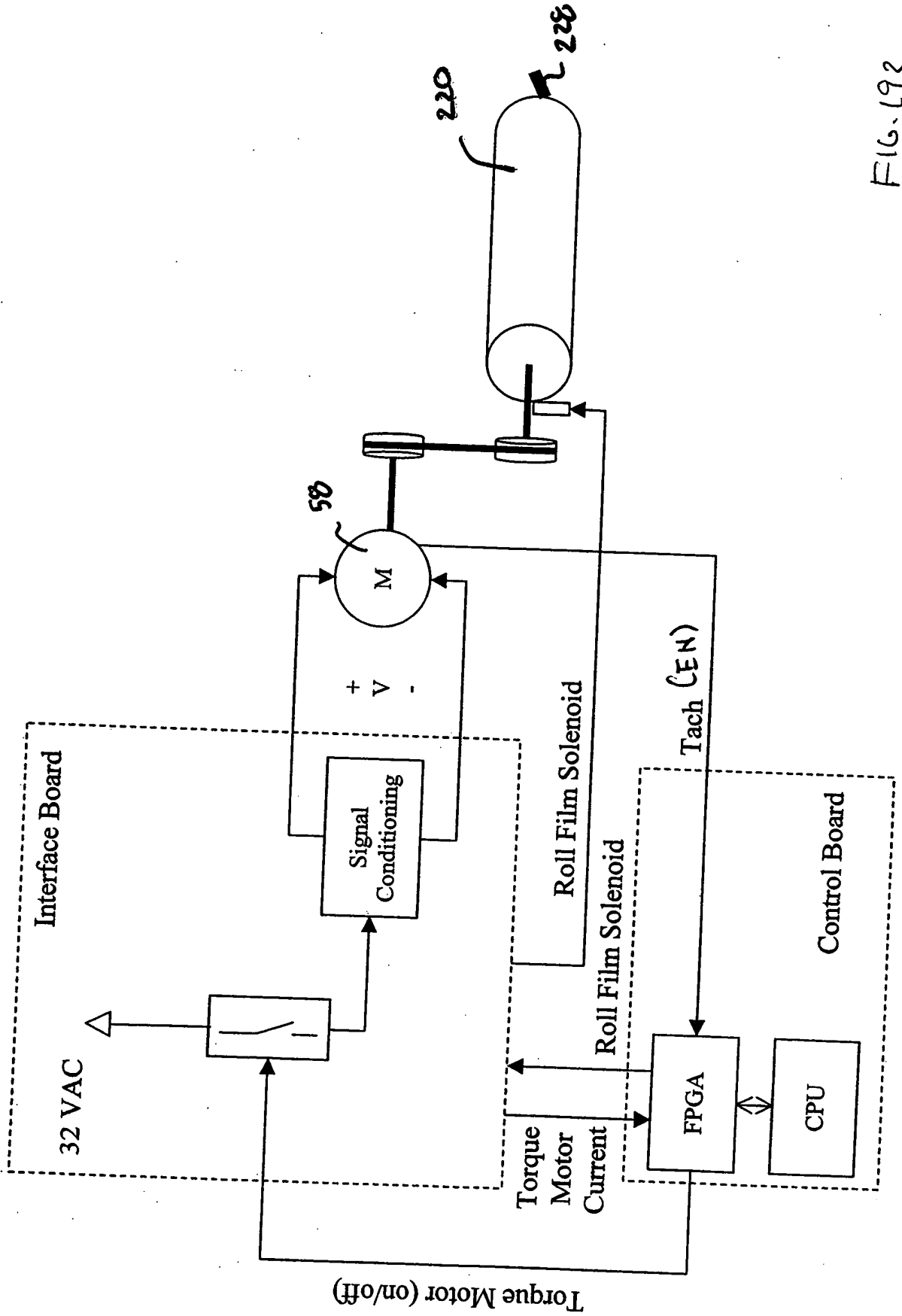
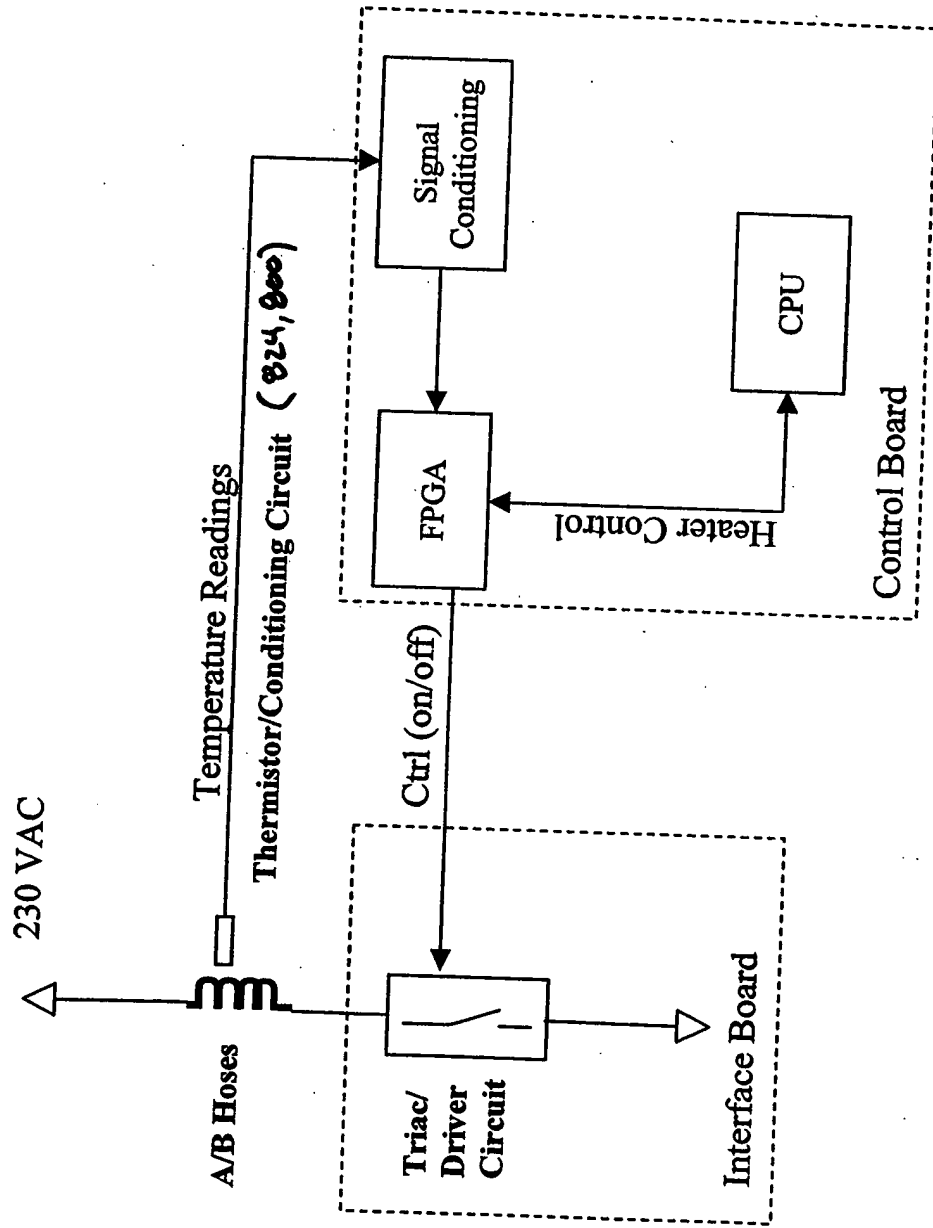


FIG. 192

# Chemical Temperature Control (Hoses)





# Chemical Temperature Control (Manifold Zones)

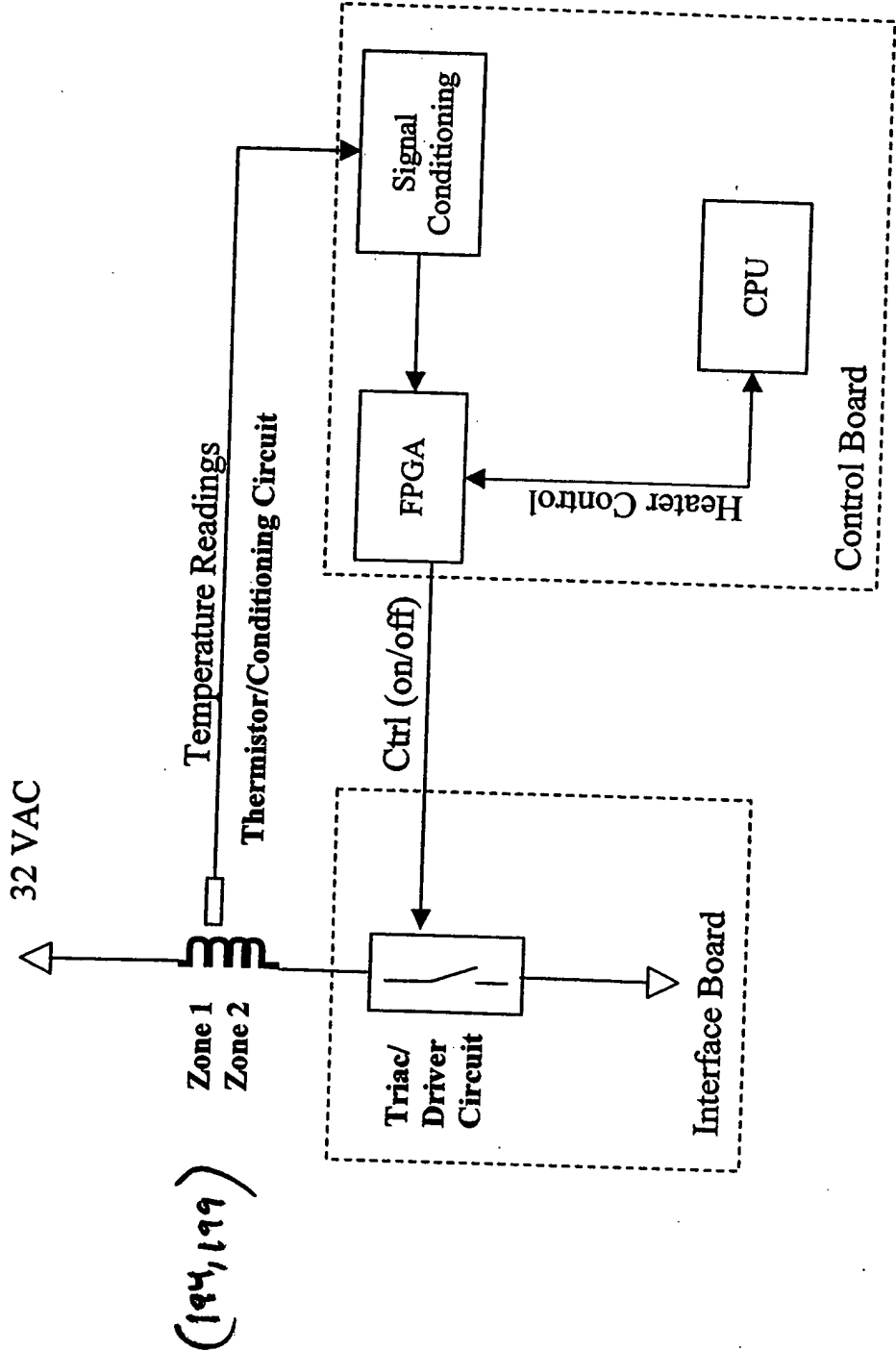


FIG. 194

# Chemical Pressure

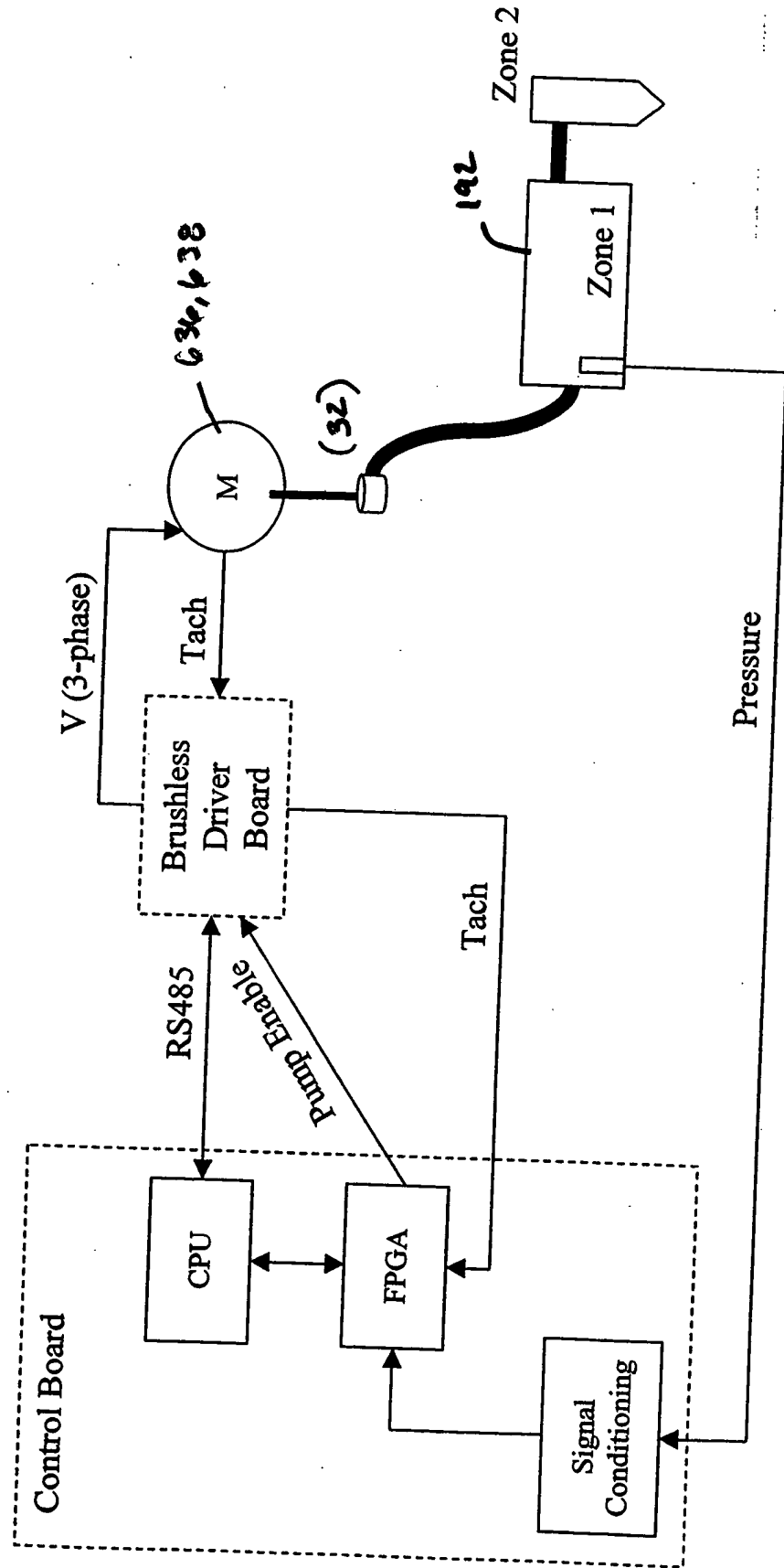


FIG. 195

# Solvent System Control

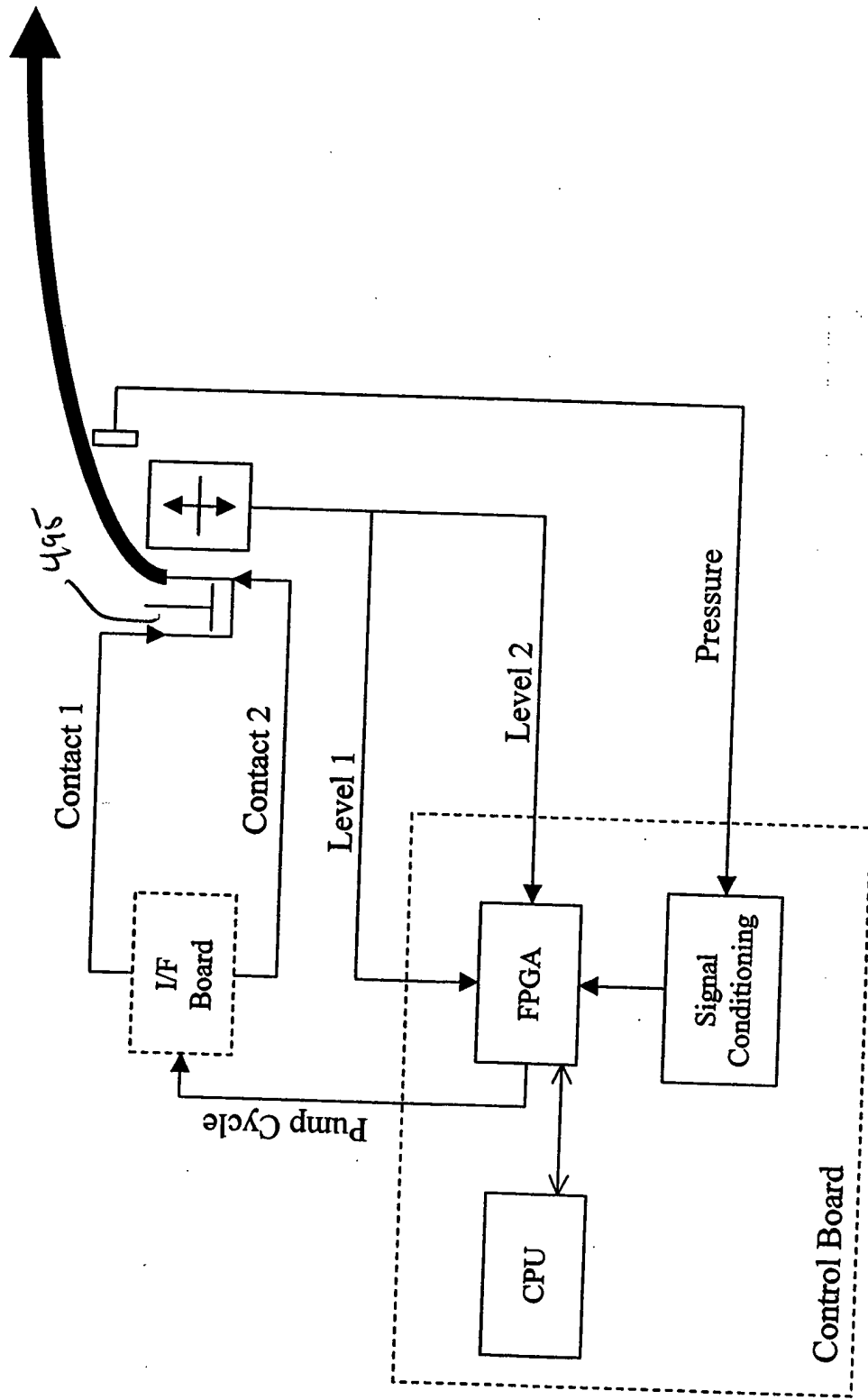
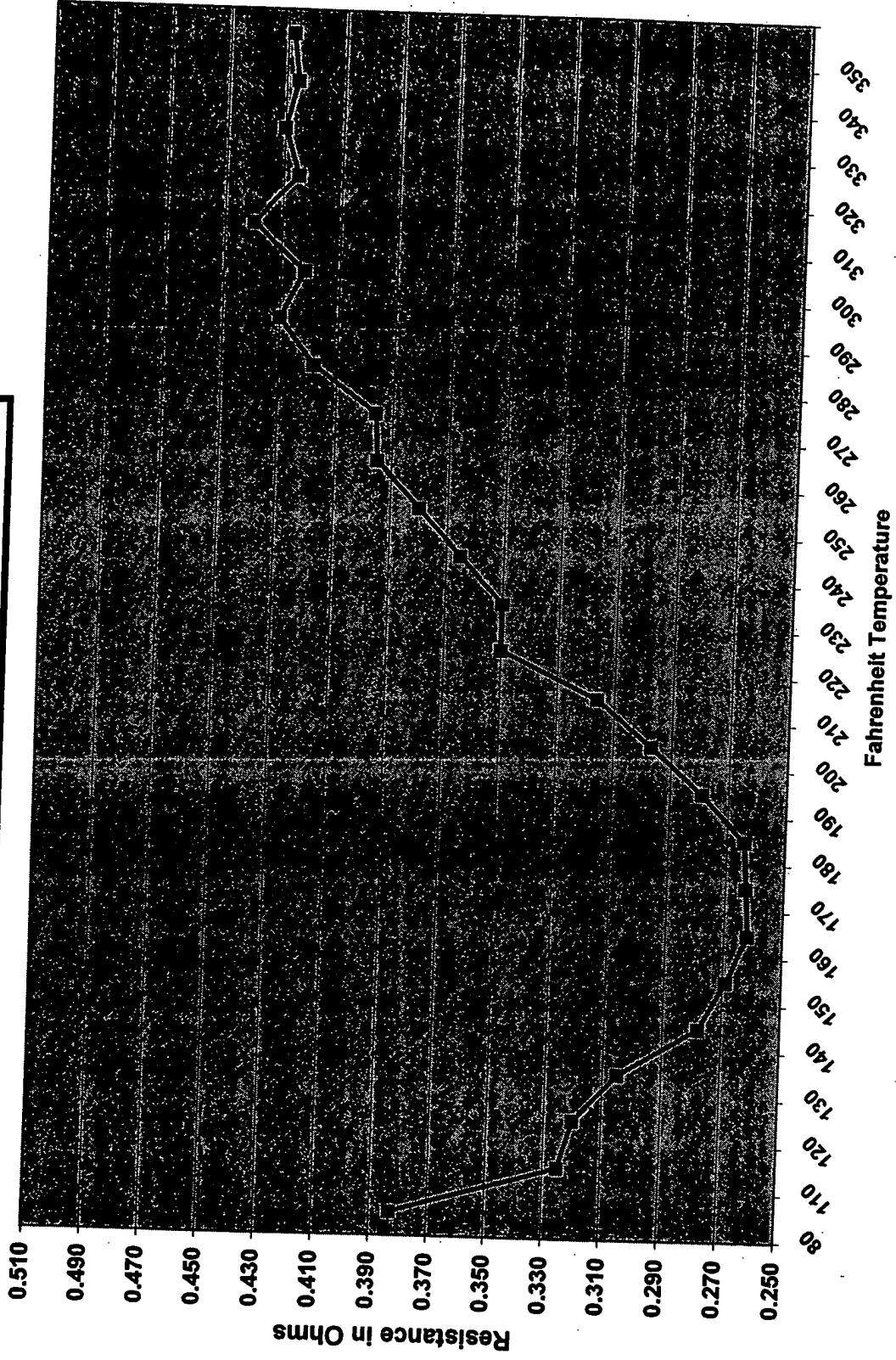


FIG. 196

FIG. 197

—■—TCR



Film Advance/Tension Motor Tach Ratio

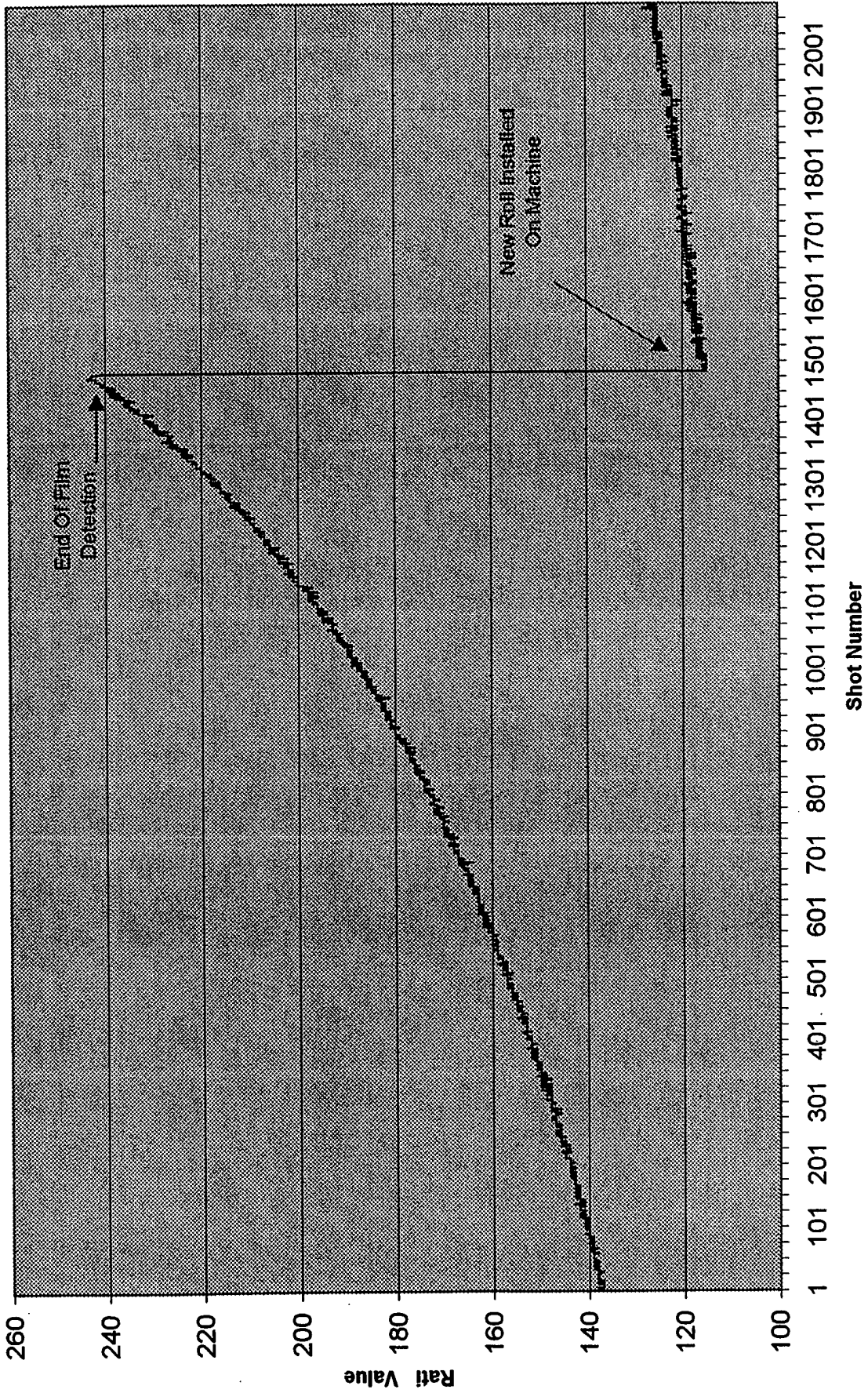


FIG. 198

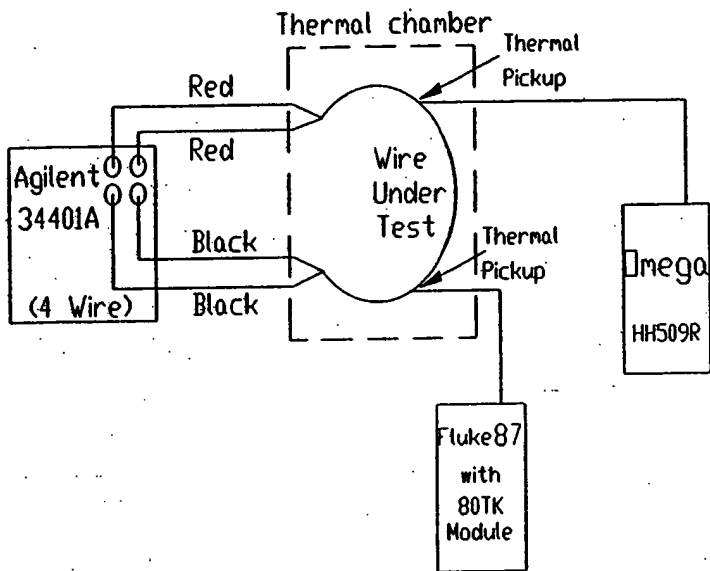


FIG. 199